

UltraGrip®

DN700 | DN800



Flange Adaptors

Adaptateurs à bride

Adaptadores de brida

Adaptadores de flange

Flanschadaptor

Flänsadaptrar

Přírubové Adaptéry

Flanš Adapteri



GB – INSTALLATION INSTRUCTIONS



D – MONTAGEANLEITUNG



FR – NOTICE DE MONTAGE



SV – INSTALLATIONSANVISNINGAR



ESP – INSTRUCCIONES DE INSTALACIÓN



CZ – MONTÁŽNÍ NÁVOD



P – INSTRUÇÕES DE INSTALAÇÃO



SRB – UPUTSTVO ZA UGRADNJU



VIKING JOHNSON®

PIONEERS IN PIPE SOLUTIONS



ULTRAGRIP FLANGE ADAPTORS PN16 DN700 TO DN800

Pipe materials, insertion depths and bolt diameters for UltraGrip products

Table 1.

Nom Size	O.D. Range (mm)	Flange Nom Size	Axial Fastener		Radial Fastener				Setting Gap (mm)		Insertion Depth (mm)		Water Pressure Rating		
			Stud Size	Recommended Bolt Torque (Nm) for all materials	Bolt Size	Recommended Bolt Torque (Nm) for Ductile Iron	Recommended Bolt Torque (Nm) for PE	Recommended Bolt Torque (Nm) for Steel & Cast Iron*	Recommended Bolt Torque (Nm) for MOPVC	A (min)	B (max)	X (min)	M (max)	Gripping Product	Flex Product
DN700	700-735	600	M20	190-210	M16	175-185	140-150	110-120	95-105	475	500	220	245	16 bar	
DN700	700-735	700	M20	190-210	M16	175-185	140-150	110-120	95-105	275	300	220	245	16 bar	
DN700	727-762	700	M20	190-210	M16	175-185	140-150	110-120	95-105	275	300	220	245	16 bar	
DN700	750-785	700	M20	190-210	M16	175-185	140-150	110-120	95-105	275	300	220	245	16 bar	
DN800	789-824	700	M20	190-210	M16	175-185	140-150	110-120	95-105	525	550	220	245	16 bar	
DN800	789-824	800	M20	190-210	M16	175-185	140-150	110-120	95-105	290	315	220	245	16 bar	
DN800	825-860	800	M20	190-210	M16	175-185	140-150	110-120	95-105	290	315	220	245	16 bar	
DN800	853-888	800	M20	190-210	M16	175-185	140-150	110-120	95-105	290	315	220	245	16 bar	

WARNING: Not conforming to torque requirements for different pipe materials can result in pipe slippage and / or pipe damage.

Table 2.

Pipe Materials	Gripping	Non-Gripping	Support Liner Required
Steel	✓	✓	
Ductile Iron	✓	✓	
Cast Iron	✓	✓	
MOPVC	✓	✓	✓
PE100	✓	✓	✓
PE Barrier Pipe	✗	✗	
Asbestos Cement	✗	✓	

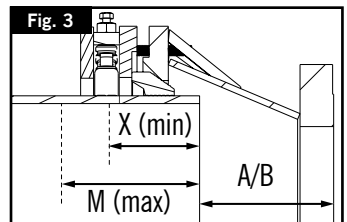
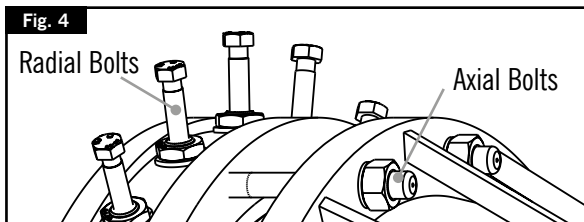
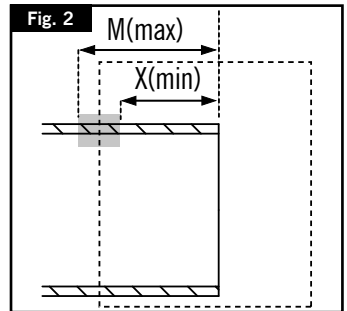
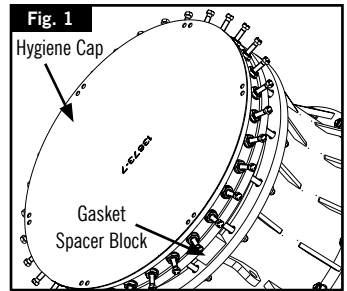
NOTES

These instructions relate to the UltraGrip range of Flange Adaptors for use on the pipe materials noted in the table. UltraGrip is supplied fully assembled for use as an end restraint (gripping) product and should not be dismantled prior to installation, unless it is to be used as a flexible (non gripping) product in which case the gripper bolts should not be torqued.

Site test pressure = 1.5 times working pressure
Thick pipe coatings and protective wrappings must always be removed.

Above ground exposed pipework is subject to both loads from the internal pressure and those from temperature changes / thermal expansion, which can be substantially higher than those from internal pressure and cannot always be safely determined. UltraGrip can be used in above ground applications, where it is not exposed to direct sunlight, and falls within the 40 degrees operating temperature range (between -20 and +60).

*110-120 torque rating for cast iron pipes assumes the cast iron has a wall thickness of 32mm and in a condition where the structural strength has not been compromised. For thinner wall cast iron pipes, please contact Viking Johnson for a recommended bolt torque.



ULTRAGRIP FLANGE ADAPTORS PN16 DN700 TO DN800



Installation Instructions

1. Check that pipe material and size are suitable for the UltraGrip Flange Adaptor. For PE & MOPVC always use a support liner. (See pages 6-7)
2. Examine pipe ends and ensure that pipe surfaces are clean and free from score marks, scale, rust or any loose debris or other surface defect that may affect fitting performance. Weld beads must be ground flush, maintaining correct surface profile. Thick pipe coatings or wrappings must always be removed. UltraGrip must sit either on to the bare pipe surface or on a thin paint film.
3. **Hazard Warning:** Lifting lugs, where provided, are designed/tested for lifting only the product to which they are attached. Failure to follow these instructions could result in serious personal injury or death, or property damage.

Ensure that you are trained, competent and familiar with the lifting appliance and accessories to be used. Ensure that the correct equipment is used and is marked with its WLL (Working Load Limit) or tables are available to determine the WLL. Ensure that you visually inspect the lifting gear and accessories before proceeding with the lift, discarding defective equipment. Ensure work is within the WLL for the equipment. Do not use equipment that is faulty, or operate it beyond the WLL. It must be examined by a competent inspection engineer and re-certificated. Only undertake slinging and banksman's duties if you are competent and have been trained. This must be provided by a recognised training provider. Never walk underneath or slew a load over a person.

4. All UltraGrip Flange Adaptors incorporate hygiene protective caps (which consist of bio-degradable tie-wraps and bio-degradable water resistant cardboard) to prevent contamination. This must be removed prior to fitment (Fig 1). Gasket spacer block (Fig 1) should NOT be removed at this point.
5. To ensure correct installation, mark the minimum and maximum pipe insertion depths obtained from Table 1 around the full circumference of both pipe ends as shown in Fig.2.
6. Slide the UltraGrip Flange Adaptor onto pipe end. Align the pipe and UltraGrip Flange Adaptor with mating flange, fit flange connecting gasket (Viking Johnson recommend using an IBC gasket for optimum sealing) and flange connecting bolts. Ensure pipe is inserted to a depth between X (min) and M (max) as shown in Fig 3 using depths obtained from Table 1. – adjust if necessary. Tighten flange connecting bolts using standard procedures. If the mechanical fitting is being installed on plain ended pipe. The end of the product should sit between the minimum and maximum insertion depth X (min) and M (max) (Refer table 1).
7. All UltraGrip flange adaptors incorporate gasket spacer blocks (Fig.1) which prevent the end rings from collapsing during transportation. These must be removed prior to fitment at this stage.
8. Tighten diametrically opposed nuts of the axial fasteners as per Fig 4, giving each nut one or two turns at a time to draw up the end ring evenly. All nuts are required to be tightened up as many times as necessary to achieve the required torque (Ref Table 1). On completion, there should be an even radial gap between pipe and end ring of the fitting, with all of the M (max) line being visible and none of the X (min) line visible.
9. Decide now what type of connection is required: GRIPPING or NON-GRIPPING:-
 - a. **GRIPPING** - When used as a gripping type, tighten diametrically opposed bolts of the radial fasteners as per Fig 4, giving each bolt one or two turns at a time to engage the grippers evenly. All bolts are required to be tightened up as many times as necessary to achieve the required torque (Ref Table 1).
 - b. **NON-GRIPPING** - When used as a non-gripping type, the radial fasteners must not be torqued. When installed as a flexible (non-gripping) product UltraGrip does not prevent pipe pull-out and adequate external restraint has to be provided.



ULTRAGRIP FLANGE ADAPTORS PN10 DN700 TO DN800

Pipe materials, insertion depths and bolt diameters for UltraGrip products

Table 3.

Nom Size	O.D. Range (mm)	Flange Nom Size	Axial Fastener		Radial Fastener				Setting Gap (mm)		Insertion Depth (mm)		Water Pressure Rating		
			Stud Size	Recommended Bolt Torque (Nm) for all materials	Bolt Size	Recommended Bolt Torque (Nm) for Ductile Iron	Recommended Bolt Torque (Nm) for PE	Recommended Bolt Torque (Nm) for Steel & Cast Iron*	Recommended Bolt Torque (Nm) for MOPVC	A (min)	B (max)	X (min)	M (max)	Gripping Product	Flex Product
DN700	700-735	600	M20	190-210	M16	175-185	140-150	110-120	95-105	550	575	220	245	10 bar	
DN700	700-735	700	M20	190-210	M16	175-185	140-150	110-120	95-105	265	290	220	245	10 bar	
DN700	727-762	700	M20	190-210	M16	175-185	140-150	110-120	95-105	265	290	220	245	10 bar	
DN700	750-785	700	M20	190-210	M16	175-185	140-150	110-120	95-105	265	290	220	245	10 bar	
DN800	789-824	700	M20	190-210	M16	175-185	140-150	110-120	95-105	415	440	220	245	10 bar	
DN800	789-824	800	M20	190-210	M16	175-185	140-150	110-120	95-105	270	295	220	245	10 bar	
DN800	825-860	800	M20	190-210	M16	175-185	140-150	110-120	95-105	270	295	220	245	10 bar	
DN800	853-888	800	M20	190-210	M16	175-185	140-150	110-120	95-105	270	295	220	245	10 bar	

WARNING: Not conforming to torque requirements for different pipe materials can result in pipe slippage and / or pipe damage.

Table 4.

Pipe Materials	Gripping	Non-Gripping	Support Liner Required
Steel	✓	✓	
Ductile Iron	✓	✓	
Cast Iron	✓	✓	
MOPVC	✓	✓	✓
PE100	✓	✓	✓
PE Barrier Pipe	✗	✗	
Asbestos Cement	✗	✓	

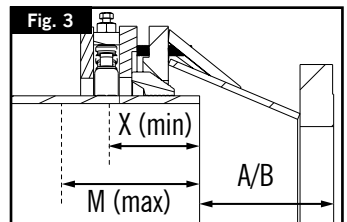
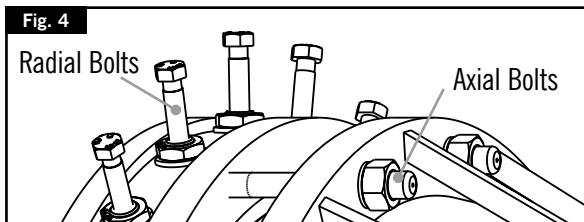
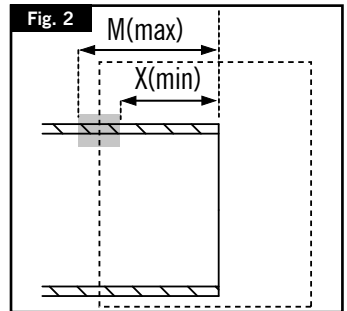
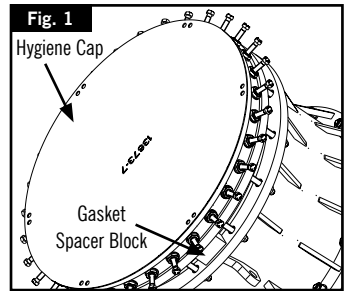
NOTES

These instructions relate to the UltraGrip range of Flange Adaptors for use on the pipe materials noted in the table. UltraGrip is supplied fully assembled for use as an end restraint (gripping) product and should not be dismantled prior to installation, unless it is to be used as a flexible (non gripping) product in which case the gripper bolts should not be torqued.

Site test pressure = 1.5 times working pressure
Thick pipe coatings and protective wrappings must always be removed.

Above ground exposed pipework is subject to both loads from the internal pressure and those from temperature changes / thermal expansion, which can be substantially higher than those from internal pressure and cannot always be safely determined. UltraGrip can be used in above ground applications, where it is not exposed to direct sunlight, and falls within the 40 degrees operating temperature range (between -20 and +60).

*110-120 torque rating for cast iron pipes assumes the cast iron has a wall thickness of 32mm and in a condition where the structural strength has not been compromised. For thinner wall cast iron pipes, please contact Viking Johnson for a recommended bolt torque.



ULTRAGRIP FLANGE ADAPTORS PN10 DN700 TO DN800



Installation Instructions

1. Check that pipe material and size are suitable for the UltraGrip Flange Adaptor. For PE & MOPVC always use a support liner. (See pages 6-7)
2. Examine pipe ends and ensure that pipe surfaces are clean and free from score marks, scale, rust or any loose debris or other surface defect that may affect fitting performance. Weld beads must be ground flush, maintaining correct surface profile. Thick pipe coatings or wrappings must always be removed. UltraGrip must sit either on to the bare pipe surface or on a thin paint film.
3. **Hazard Warning:** Lifting lugs, where provided, are designed/tested for lifting only the product to which they are attached. Failure to follow these instructions could result in serious personal injury or death, or property damage.

Ensure that you are trained, competent and familiar with the lifting appliance and accessories to be used. Ensure that the correct equipment is used and is marked with its WLL (Working Load Limit) or tables are available to determine the WLL. Ensure that you visually inspect the lifting gear and accessories before proceeding with the lift, discarding defective equipment. Ensure work is within the WLL for the equipment. Do not use equipment that is faulty, or operate it beyond the WLL. It must be examined by a competent inspection engineer and re-certificated. Only undertake slinging and banksman's duties if you are competent and have been trained. This must be provided by a recognised training provider. Never walk underneath or slew a load over a person.

4. All UltraGrip Flange Adaptors incorporate hygiene protective caps (which consist of bio-degradable tie-wraps and bio-degradable water resistant cardboard) to prevent contamination. This must be removed prior to fitment (Fig 1). Gasket spacer block (Fig 1) should NOT be removed at this point.
5. To ensure correct installation, mark the minimum and maximum pipe insertion depths obtained from Table 3 around the full circumference of both pipe ends as shown in Fig.2.
6. Slide the UltraGrip Flange Adaptor onto pipe end. Align the pipe and UltraGrip Flange Adaptor with mating flange, fit flange connecting gasket (Viking Johnson recommend using an IBC gasket for optimum sealing) and flange connecting bolts. Ensure pipe is inserted to a depth between X (min) and M (max) as shown in Fig 3 using depths obtained from Table 3. – adjust if necessary. Tighten flange connecting bolts using standard procedures. If the mechanical fitting is being installed on plain ended pipe. The end of the product should sit between the minimum and maximum insertion depth X (min) and M (max) (Refer table 3).
7. All UltraGrip flange adaptors incorporate gasket spacer blocks (Fig.1) which prevent the end rings from collapsing during transportation. These must be removed prior to fitment at this stage.
8. Tighten diametrically opposed nuts of the axial fasteners as per Fig 4, giving each nut one or two turns at a time to draw up the end ring evenly. All nuts are required to be tightened up as many times as necessary to achieve the required torque (Ref Table 3). On completion, there should be an even radial gap between pipe and end ring of the fitting, with all of the M (max) line being visible and none of the X (min) line visible.
9. Decide now what type of connection is required: GRIPPING or NON-GRIPPING:-
 - a. **GRIPPING** - When used as a gripping type, tighten diametrically opposed bolts of the radial fasteners as per Fig 4, giving each bolt one or two turns at a time to engage the grippers evenly. All bolts are required to be tightened up as many times as necessary to achieve the required torque (Ref Table 3).
 - b. **NON-GRIPPING** - When used as a non-gripping type, the radial fasteners must not be torqued. When installed as a flexible (non-gripping) product UltraGrip does not prevent pipe pull-out and adequate external restraint has to be provided.



ULTRAGRIP RILSAN COATED MILD STEEL SUPPORT LINERS FOR PE AND MOPVC SIZES DN700 TO DN800

INSTALLATION INSTRUCTIONS - English

Fig. 1

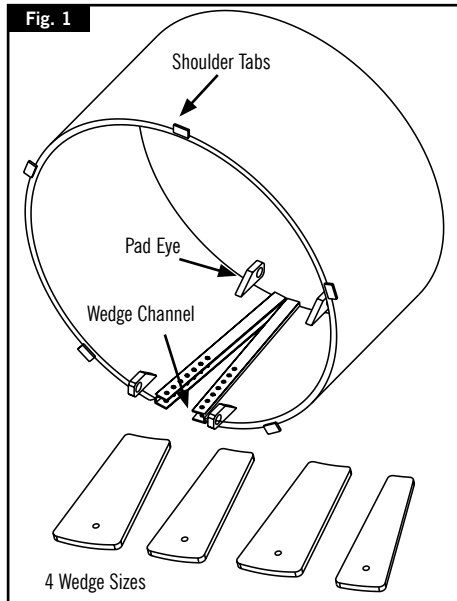


Fig. 2

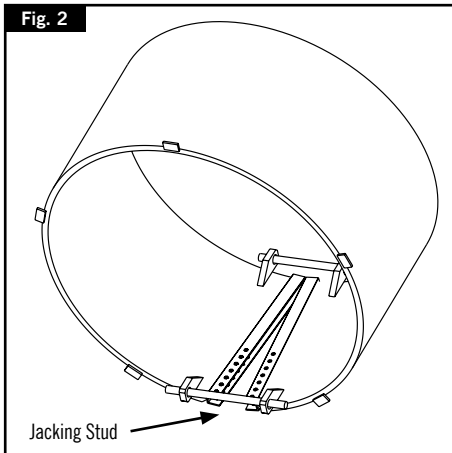


Fig. 4

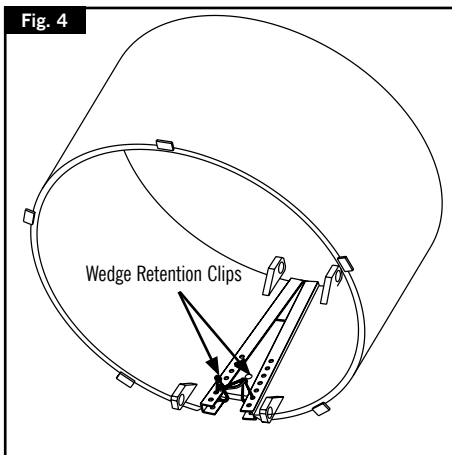
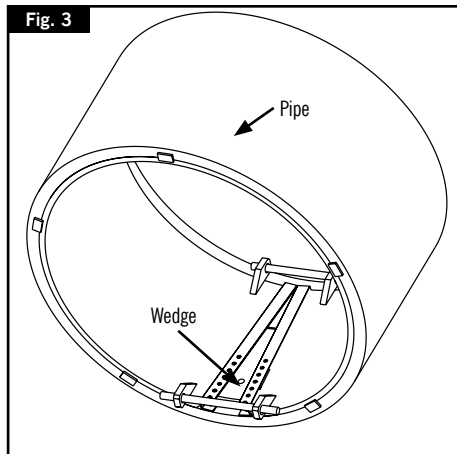


Fig. 3



ULTRAGRIP RILSAN COATED MILD STEEL SUPPORT LINERS FOR PE AND MOPVC SIZES DN700 TO DN800



Installation Instructions

1. Check that the support liner and wedges are suitable for pipe OD and wall thickness.
2. Measure bore of pipe and select correct wedge from the set of 4 supplied (See Table 5 for PE and MOPVC).
3. Insert the liner into the bore of the pipe until the shoulder tabs butt against the pipe end.
4. Fit the appropriate jacking stud through the pad eyes in the liner (Fig 2).
5. Using the nuts on the studs, expand the liner until it contacts the pipe bore.
6. Insert the appropriate wedge into the channel of the liner.
7. Tap wedge until liner is fully expanded against pipe bore.(Fig 3)
8. Clip the wedge retention clips in the channel holes closest to the end of the wedge to prevent wedge sliding out.
9. Once the two clips have been inserted, use a third clip to interlock all the clips together. (Fig 4)
10. Slacken off the nuts on the jacking studs and remove jacking studs and nuts.

WARNING: Damage to the wedge or liner coating will result into rusting of the product; utmost care must be taken when inserting the wedges in the liners to avoid damaging the coating.

Table 5.

Pipe code	Pipe size	Pipe OD		Pipe ID		Wedge 1				Wedge 2				Wedge 3				Wedge 4			
	(mm)	Min (mm)	Max (mm)	Min (mm)	Max (mm)	Min ID (mm)	Max ID (mm)	Short Edge (mm)	Long Edge (mm)	Min ID (mm)	Max ID (mm)	Short Edge (mm)	Long Edge (mm)	Min ID (mm)	Max ID (mm)	Short Edge (mm)	Long Edge (mm)	Min ID (mm)	Max ID (mm)	Short Edge (mm)	Long Edge (mm)
PE Support Liners																					
710-SDR11	710	710	716.4	567	587	555	565	50	100	566	571	85	135	572	582	103	153	583	587	120	170
710-SDR17	710	710	716.4	618	633	610	617	50	100	618	621	76	126	622	629	89	139	630	633	102	152
710-SDR21	710	710	716.4	635	649	626	633	50	100	634	641	76	126	642	645	89	139	646	649	102	152
710-SDR26	710	710	716.4	650	662	642	648	50	100	649	652	72	122	653	655	83	133	656	662	94	144
800-SDR11	800	800	807.2	640	662	627	638	50	100	639	644	88	138	645	656	107	157	657	661	126	176
800-SDR17	800	800	807.2	696	713	687	695	50	100	696	700	79	129	701	709	94	144	710	713	108	158
800-SDR21	800	800	807.2	716	731	708	715	50	100	716	723	76	126	724	727	89	139	728	731	102	152
800-SDR26	800	800	807.2	732	746	723	730	50	100	731	734	76	126	735	738	89	139	739	746	102	152
MOPVC Support Liners																					
710-SDR33	710	710	712	662	668	656	661	50	100	662	664	88	138	665	670	79	129	671	673	126	176
800-SDR33	800	800	802	746	753	739	745	50	100	746	749	72	122	750	756	83	133	757	759	102	152

ADAPTATEURS À BRIDE ULTRAGRIP PN16 DN700 À DN800

Matériaux des conduites, profondeurs d'insertion et diamètres des boulons pour produits UltraGrip

Tableau 1.

Taille nominale	Dia. ext. Plage (mm)	Bride Nom Dimension	Fixation axiale		Fixation radiale				Intervalle de montage (mm)		Profondeur d'insertion (mm)		Pression d'eau en service		
			Dimension des goujons	Couple de serrage recommandé des boulons (Nm) pour tous les matériaux	Dimension des boulons	Couple de serrage recommandé des boulons (Nm) pour la fonte ductile	Couple de serrage recommandé des boulons (Nm) pour le PE	Couple de serrage recommandé des boulons (Nm) pour l'acier et la fonte*	Couple de serrage recommandé des boulons (Nm) pour le MOPVC	A (min)	B (max)	X (min)	M (max)	Avec ancrage	Sans ancrage
DN700	700-735	600	M20	190-210	M16	175-185	140-150	110-120	95-105	475	500	220	245	16 bars	
DN700	700-735	700	M20	190-210	M16	175-185	140-150	110-120	95-105	275	300	220	245	16 bars	
DN700	727-762	700	M20	190-210	M16	175-185	140-150	110-120	95-105	275	300	220	245	16 bars	
DN700	750-785	700	M20	190-210	M16	175-185	140-150	110-120	95-105	275	300	220	245	16 bars	
DN800	789-824	700	M20	190-210	M16	175-185	140-150	110-120	95-105	525	550	220	245	16 bars	
DN800	789-824	800	M20	190-210	M16	175-185	140-150	110-120	95-105	290	315	220	245	16 bars	
DN800	825-860	800	M20	190-210	M16	175-185	140-150	110-120	95-105	290	315	220	245	16 bars	
DN800	853-888	800	M20	190-210	M16	175-185	140-150	110-120	95-105	290	315	220	245	16 bars	

AVERTISSEMENT : Le non-respect des couples de serrage pour les différents matériaux peut entraîner un glissement des conduites et/ou leur détérioration.

Tableau 2.

Matériaux des conduites	Ancrage	Sans-ancrage	Inserts de renfort obligatoires
Acier	✓	✓	
Fonte ductile	✓	✓	
Fonte	✓	✓	
MOPVC	✓	✓	✓
PE100	✓	✓	✓
Conduites de protection en polyéthylène	✗	✗	
Amiante-ciment	✗	✓	

REMARQUES

Ces instructions concernent la gamme des adaptateurs à bride UltraGrip conçus pour les matériaux indiqués dans le tableau. Les produits UltraGrip sont fournis entièrement assemblés. Ils sont conçus pour servir de solutions d'ancrage des extrémités de conduite. Ils ne doivent pas être démontés avant d'être installés, sauf lorsqu'ils doivent assurer une fonction flexible (sans ancrage) et par conséquent sans couple de serrage des boulons d'ancrage.

Pression d'essai sur site = 1,5 fois la pression en service.

Toujours retirer les revêtements épais des conduites et les enveloppes de protection.

Une conduite exposée hors sol est soumise aux deux charges exercées par la pression interne d'une part, les variations de température et la dilatation thermique d'autre part. Elles peuvent être bien plus importantes que la pression interne et ne peuvent pas toujours être déterminées en toute sécurité. UltraGrip peut être utilisé dans des applications hors sol, sans exposition à la lumière directe du soleil, dans une plage de température opérationnelle de 40 degrés (entre -20 et +60).

* Pour les conduites en fonte, le couple de serrage 110-120 suppose que la paroi en fonte a une épaisseur de 32 mm et qu'elle a gardé sa résistance structurelle d'origine. Pour les parois de conduites en fonte moins épaisses, veuillez contacter Viking Johnson qui vous indiquera le couple de serrage recommandé.

Fig. 4

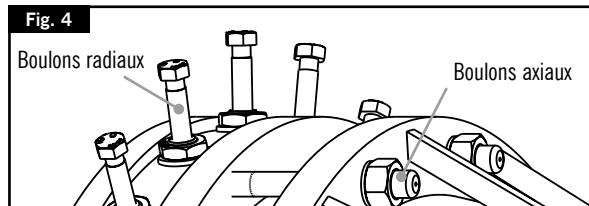


Fig. 1

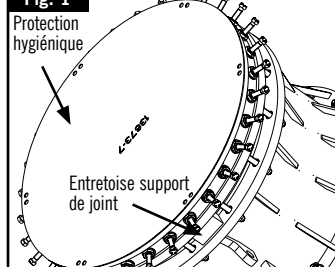


Fig. 2

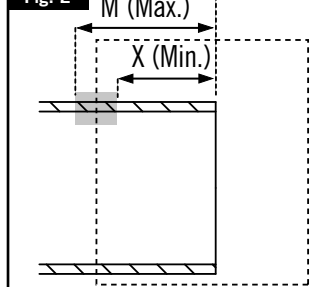
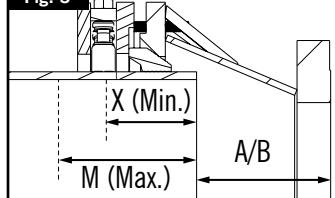


Fig. 3



ADAPTATEURS À BRIDE ULTRAGRIP PN16 DN700 À DN800



Notice de montage

1. Vérifiez que le matériau et les dimensions de la conduite conviennent à l'adaptateur à bride UltraGrip. Toujours utiliser un insert de renfort avec les conduites PE & MOPVC (Voir les pages 12-13)
2. Vérifiez que les surfaces à l'extrémité des conduites sont propres, sans aucune marque ou rayure, tartre, calaminage, rouille, résidu ou défaut de surface qui pourrait réduire l'efficacité du raccord. Les cordons de soudure doivent être meulés pour créer une surface profilée appropriée. Toujours retirer les revêtements épais des conduites ou les enveloppes de protection. UltraGrip doit toujours être monté sur un matériau nu ou avec une fine couche de peinture.
3. **Avertissement de sécurité** : Les prises de levage fournies (selon les cas) sont conçues ou testées pour soulever uniquement le produit sur lequel elles sont montées. Le non-respect de ces instructions peut provoquer des accidents graves ou mortels, ou des dégâts matériels. Vous devez avoir l'expérience et la formation nécessaires pour utiliser les accessoires et les systèmes de levage requis.

Vous devez déterminer la charge maximale à l'aide de tableaux conformes, ou utiliser des équipements appropriés indiquant la charge maximale autorisée. Inspectez visuellement les accessoires et les systèmes de levage avant toute opération de manipulation ou levage. N'utilisez jamais un équipement défectueux. Vérifiez que l'opération envisagée ne dépassera pas la charge maximale autorisée des équipements. N'utilisez pas un équipement qui n'est pas en bon état, ou au-delà de sa charge maximale autorisée. Il devra alors être vérifié et recertifié conforme par un technicien spécialisé. Les opérations de circulation, manipulation et levage doivent uniquement être préparées et réalisées par un personnel compétent et spécialement formé. Cette formation doit être fournie par un prestataire réputé. Ne jamais passer sous une charge. Ne jamais passer une charge au-dessus d'une personne.

4. Pour éviter tout risque de contamination, chaque adaptateur à bride UltraGrip est doté d'un bouchon de protection hygiénique (combinant une attache biodégradable et un carton hydrofuge et biodégradable). Cette protection doit être retirée avant le montage (Fig. 1). L'entretoise support de joint (Fig. 1) ne doit pas être retirée pour l'instant.
5. Pour une installation correcte, marquez sur toute la circonférence des deux extrémités de la conduite les profondeurs d'insertion minimale et maximale (voir Tableau 1) comme indiqué sur la Fig. 2.
6. Placez l'adaptateur à bride UltraGrip sur l'extrémité de la conduite. Alignez la conduite et l'adaptateur à bride UltraGrip sur la bride de raccordement. Posez le joint de bride (Viking Johnson recommande l'utilisation d'un joint IBC pour une étanchéité optimale). Vérifiez que la conduite est insérée à une profondeur comprise entre les limites X (min) et M (max), comme indiqué à la Fig. 3, en utilisant les profondeurs obtenues à partir du Tableau 1. Effectuez les ajustements éventuellement nécessaires. Serrez les boulons de fixation de la bride selon les procédures standard. Si le raccord mécanique est installé sur une conduite à extrémité lisse. L'extrémité du produit doit être positionnée entre les limites de profondeur d'insertion X (min) et M (max). (Voir le Tableau 1).
7. Tous les adaptateurs à bride UltraGrip DN700-1 comportent une entretoise support de joint (Fig.1) qui assure la stabilité de leur contre-bride pendant le transport. Cette protection doit être retirée juste avant cette étape du montage.
8. Serrez les écrous diamétralement opposés des fixations axiales (comme indiqué sur la Fig. 4). Ne faites pas plus d'un ou deux tours à la fois pour tirer progressivement et de manière uniforme sur la contre-bride. Serrez tous les écrous autant de fois que nécessaire pour obtenir le couple de serrage requis (Voir Tableau 1). Lorsque vous avez terminé le serrage, vous devez constater un intervalle radial uniforme entre la conduite et la contre-bride du raccord. La totalité de la ligne M (max) doit être visible. Aucune partie de la ligne X (min) ne doit être visible.
9. Choisissez maintenant le type de raccord nécessaire : AVEC OU SANS ANCRAGE :
 - a. **AVEC ANCRAGE** - Lorsque l'ancrage est requis, serrez les boulons diamétralement opposés des fixations radiales conformément à la Fig. 4. Faites seulement un ou deux tours à la fois pour engager uniformément les griffes d'ancrage. Serrez tous les boulons autant de fois que nécessaire pour obtenir le couple requis (voir le Tableau 1).
 - b. **SANS ANCRAGE** - Si vous n'utilisez pas le mécanisme d'ancrage, vous ne devez pas appliquer un couple de serrage sur les fixations radiales. Lorsqu'il est installé en mode flexible, sans utiliser le mécanisme d'ancrage, UltraGrip n'empêche pas le déboîtement de la conduite. Dans ce cas, une retenue externe appropriée doit être mise en place.

ADAPTATEURS À BRIDE ULTRAGRIP PN10 DN700 À DN800

Matériaux des conduites, profondeurs d'insertion et diamètres des boulons pour produits UltraGrip

Tableau 3.

Taille nominale	Dia. ext. Plage (mm)	Bride Nom Dimension	Fixation axiale		Fixation radiale				Intervalle de montage (mm)		Profondeur d'insertion (mm)		Pression d'eau en service		
			Dimension des goujons	Couple de serrage recommandé des boulons (Nm) pour tous les matériaux	Dimension des boulons	Couple de serrage recommandé des boulons (Nm) pour la fonte ductile	Couple de serrage recommandé des boulons (Nm) pour le PE	Couple de serrage recommandé des boulons (Nm) pour l'acier et la fonte*	Couple de serrage recommandé des boulons (Nm) pour le MOPVC	A (min)	B (max)	X (min)	M (max)	Avec ancrage	Sans ancrage
DN700	700-735	600	M20	190-210	M16	175-185	140-150	110-120	95-105	550	575	220	245	10 bars	
DN700	700-735	700	M20	190-210	M16	175-185	140-150	110-120	95-105	265	290	220	245	10 bars	
DN700	727-762	700	M20	190-210	M16	175-185	140-150	110-120	95-105	265	290	220	245	10 bars	
DN700	750-785	700	M20	190-210	M16	175-185	140-150	110-120	95-105	265	290	220	245	10 bars	
DN800	789-824	700	M20	190-210	M16	175-185	140-150	110-120	95-105	415	440	220	245	10 bars	
DN800	789-824	800	M20	190-210	M16	175-185	140-150	110-120	95-105	270	295	220	245	10 bars	
DN800	825-860	800	M20	190-210	M16	175-185	140-150	110-120	95-105	270	295	220	245	10 bars	
DN800	853-888	800	M20	190-210	M16	175-185	140-150	110-120	95-105	270	295	220	245	10 bars	

AVERTISSEMENT : Le non-respect des couples de serrage pour les différents matériaux peut entraîner un glissement des conduites et/ou leur détérioration.

Tableau 4.

Matériaux des conduites	Ancrage	Sans-ancrage	Inserts de renfort obligatoires
Acier	✓	✓	
Fonte ductile	✓	✓	
Fonte	✓	✓	
MOPVC	✓	✓	✓
PE100	✓	✓	✓
Conduites de protection en polyéthylène	✗	✗	
Amiante-ciment	✗	✓	

REMARQUES

Ces instructions concernent la gamme des adaptateurs à bride UltraGrip conçus pour les matériaux indiqués dans le tableau. Les produits UltraGrip sont fournis entièrement assemblés. Ils sont conçus pour servir de solutions d'ancrage des extrémités de conduite. Ils ne doivent pas être démontés avant d'être installés, sauf lorsqu'ils doivent assurer une fonction flexible (sans ancrage) et par conséquent sans couple de serrage des boulons d'ancrage.

Pression d'essai sur site = 1,5 fois la pression en service.

Toujours retirer les revêtements épais des conduites et les enveloppes de protection.

Une conduite exposée hors sol est soumise aux deux charges exercées par la pression interne d'une part, les variations de température et la dilatation thermique d'autre part. Elles peuvent être bien plus importantes que la pression interne et ne peuvent pas toujours être déterminées en toute sécurité. UltraGrip peut être utilisé dans des applications hors sol, sans exposition à la lumière directe du soleil, dans une plage de température opérationnelle de 40 degrés (entre -20 et +60).

* Pour les conduites en fonte, le couple de serrage 110-120 suppose que la paroi en fonte a une épaisseur de 32 mm et qu'elle a gardé sa résistance structurelle d'origine. Pour les parois de conduites en fonte moins épaisses, veuillez contacter Viking Johnson qui vous indiquera le couple de serrage recommandé.

Fig. 4

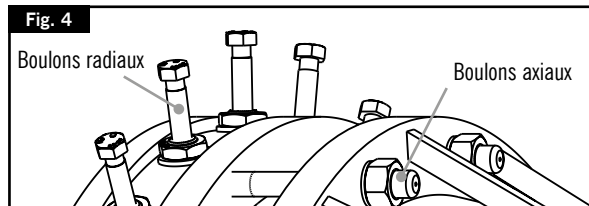


Fig. 1

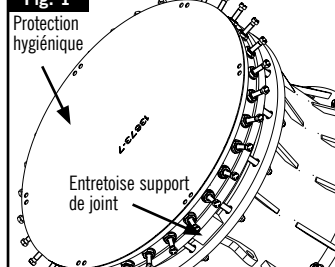


Fig. 2

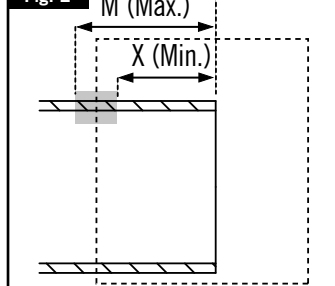
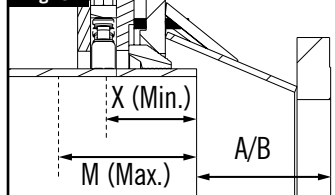


Fig. 3



ADAPTATEURS À BRIDE ULTRAGRIP PN10 DN700 À DN800



Notice de montage

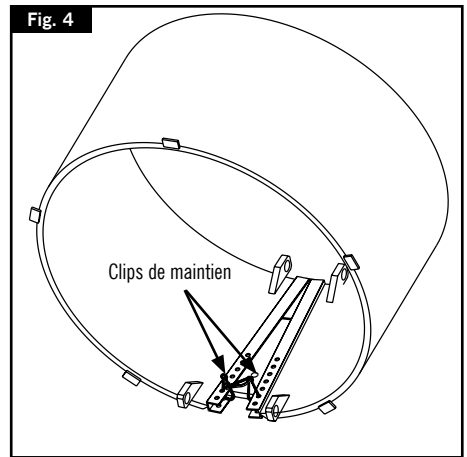
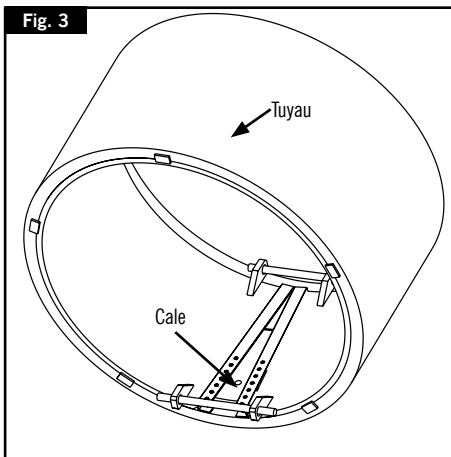
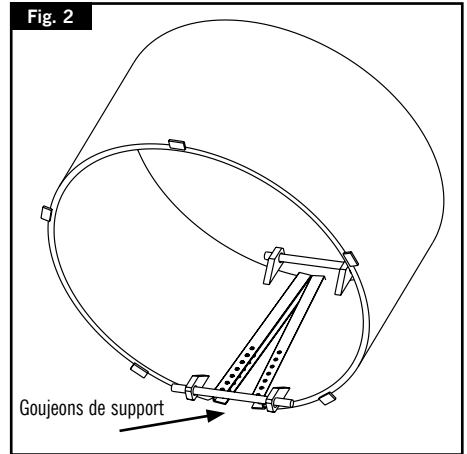
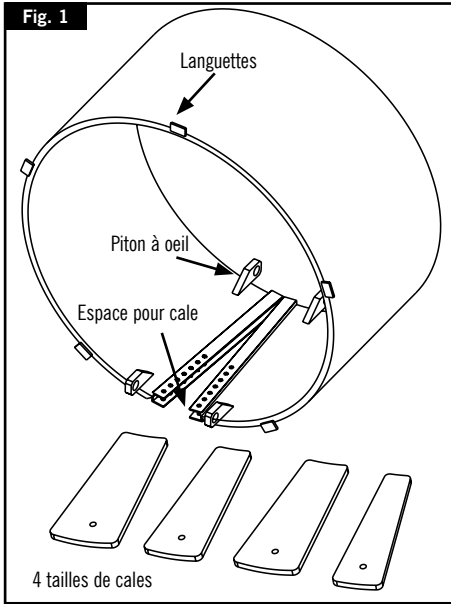
1. Vérifiez que le matériau et les dimensions de la conduite conviennent à l'adaptateur à bride UltraGrip. Toujours utiliser un insert de renfort avec les conduites PE & MOPVC (Voir les pages 12-13)
2. Vérifiez que les surfaces à l'extrémité des conduites sont propres, sans aucune marque ou rayure, tartre, calaminage, rouille, résidu ou défaut de surface qui pourrait réduire l'efficacité du raccord. Les cordons de soudure doivent être meulés pour créer une surface profilée appropriée. Toujours retirer les revêtements épais des conduites ou les enveloppes de protection. UltraGrip doit toujours être monté sur un matériau nu ou avec une fine couche de peinture.
3. **Avertissement de sécurité** : Les prises de levage fournies (selon les cas) sont conçues ou testées pour soulever uniquement le produit sur lequel elles sont montées. Le non-respect de ces instructions peut provoquer des accidents graves ou mortels, ou des dégâts matériels. Vous devez avoir l'expérience et la formation nécessaires pour utiliser les accessoires et les systèmes de levage requis.

Vous devez déterminer la charge maximale à l'aide de tableaux conformes, ou utiliser des équipements appropriés indiquant la charge maximale autorisée. Inspectez visuellement les accessoires et les systèmes de levage avant toute opération de manipulation ou levage. N'utilisez jamais un équipement défectueux. Vérifiez que l'opération envisagée ne dépassera pas la charge maximale autorisée des équipements. N'utilisez pas un équipement qui n'est pas en bon état, ou au-delà de sa charge maximale autorisée. Il devra alors être vérifié et recertifié conforme par un technicien spécialisé. Les opérations de circulation, manipulation et levage doivent uniquement être préparées et réalisées par un personnel compétent et spécialement formé. Cette formation doit être fournie par un prestataire réputé. Ne jamais passer sous une charge. Ne jamais passer une charge au-dessus d'une personne.

4. Pour éviter tout risque de contamination, chaque adaptateur à bride UltraGrip est doté d'un bouchon de protection hygiénique (combinant une attache biodégradable et un carton hydrofuge et biodégradable). Cette protection doit être retirée avant le montage (Fig. 1). L'entretoise support de joint (Fig. 1) ne doit pas être retirée pour l'instant.
5. Pour une installation correcte, marquez sur toute la circonférence des deux extrémités de la conduite les profondeurs d'insertion minimale et maximale (voir Tableau 3) comme indiqué sur la Fig. 2.
6. Placez l'adaptateur à bride UltraGrip sur l'extrémité de la conduite. Alignez la conduite et l'adaptateur à bride UltraGrip sur la bride de raccordement. Posez le joint de bride (Viking Johnson recommande l'utilisation d'un joint IBC pour une étanchéité optimale). Vérifiez que la conduite est insérée à une profondeur comprise entre les limites X (min) et M (max), comme indiqué à la Fig. 3, en utilisant les profondeurs obtenues à partir du Tableau 3. Effectuez les ajustements éventuellement nécessaires. Serrez les boulons de fixation de la bride selon les procédures standard. Si le raccord mécanique est installé sur une conduite à extrémité lisse. L'extrémité du produit doit être positionnée entre les limites de profondeur d'insertion X (min) et M (max). (Voir le Tableau 3).
7. Tous les adaptateurs à bride UltraGrip DN700-1 comportent une entretoise support de joint (Fig.1) qui assure la stabilité de leur contre-bride pendant le transport. Cette protection doit être retirée juste avant cette étape du montage.
8. Serrez les écrous diamétralement opposés des fixations axiales (comme indiqué sur la Fig. 4). Ne faites pas plus d'un ou deux tours à la fois pour tirer progressivement et de manière uniforme sur la contre-bride. Serrez tous les écrous autant de fois que nécessaire pour obtenir le couple de serrage requis (Voir Tableau 3). Lorsque vous avez terminé le serrage, vous devez constater un intervalle radial uniforme entre la conduite et la contre-bride du raccord. La totalité de la ligne M (max) doit être visible. Aucune partie de la ligne X (min) ne doit être visible.
9. Choisissez maintenant le type de raccord nécessaire : AVEC OU SANS ANCRAGE :
 - a. **AVEC ANCRAGE** - Lorsque l'ancrage est requis, serrez les boulons diamétralement opposés des fixations radiales conformément à la Fig. 4. Faites seulement un ou deux tours à la fois pour engager uniformément les griffes d'ancrage. Serrez tous les boulons autant de fois que nécessaire pour obtenir le couple requis (voir le Tableau 3).
 - b. **SANS ANCRAGE** - Si vous n'utilisez pas le mécanisme d'ancrage, vous ne devez pas appliquer un couple de serrage sur les fixations radiales. Lorsqu'il est installé en mode flexible, sans utiliser le mécanisme d'ancrage, UltraGrip n'empêche pas le déboîtement de la conduite. Dans ce cas, une retenue externe appropriée doit être mise en place.



INSERTS DE RENFORT EN ACIER DOUX AVEC REVÊTEMENT RILSAN - ULTRAGRIP POUR PE ET MOPVC - DIMENSIONS DN700 À DN800



INSERTS DE RENFORT EN ACIER DOUX AVEC REVÊTEMENT RILSAN - ULTRAGRIP POUR PE ET MOPVC - DIMENSIONS DN700 À DN800



Notice de montage

1. Vérifiez que l'insert et les cales correspondent au diamètre extérieur et à l'épaisseur de la paroi de la conduite.
2. Mesurez le diamètre interne de la conduite et sélectionnez la cale appropriée parmi les 4 cales fournies (Voir le tableau 5 pour le PE et le MOPVC).
3. Introduisez l'insert jusqu'à appuyer son épaulement sur le bord de la conduite.
4. Insérer les goujons requis dans les boulons à œil (Fig. 2).
5. Ecartez l'insert en serrant les vis sur les jougeons jusqu'à ce que l'insert soit en contact avec la paroi du tuyau.
6. Introduisez la cale dans les rainures de l'insert.
7. Tapez sur la cale jusqu'à ce que l'insert s'élargisse au maximum et s'appuie contre la paroi de la conduite (Fig. 3).
8. Attacher les clips de maintien sur les goujons situés à l'extrémité de la cale pour éviter qu'elle se retire.
9. Une fois les deux clips de maintien mis en place, utiliser le troisième clip pour maintenir leur position (Fig. 4).
10. Dévissez les écrous des goujons de support et sortez-les des boulons à œil.

ATTENTION: Un insert endommagé (cale ou revêtement) va faire rouiller le produit. Il faut positionner les inserts avec prudence pour éviter d'endommager le revêtement.

Tableau 5.

Code de conduite	Dimension (mm)	Dia. ext. cond.		Dia. int. cond.		Cale 1				Cale 2				Cale 3				Cale 4			
		Min. (mm)	Max. (mm)	Min. (mm)	Max. (mm)	Dia. int. min. (mm)	Dia. int. max. (mm)	Cale courte (mm)	Cale longue (mm)	Dia. int. min. (mm)	Dia. int. max. (mm)	Cale courte (mm)	Cale longue (mm)	Dia. int. min. (mm)	Dia. int. max. (mm)	Cale courte (mm)	Cale longue (mm)	Dia. int. min. (mm)	Dia. int. max. (mm)	Cale courte (mm)	Cale longue (mm)
Inserts de renfort PE																					
710-SDR11	710	710	716.4	567	587	555	565	50	100	566	571	85	135	572	582	103	153	583	587	120	170
710-SDR17	710	710	716.4	618	633	610	617	50	100	618	621	76	126	622	629	89	139	630	633	102	152
710-SDR21	710	710	716.4	635	649	626	633	50	100	634	641	76	126	642	645	89	139	646	649	102	152
710-SDR26	710	710	716.4	650	662	642	648	50	100	649	652	72	122	653	655	83	133	656	662	94	144
800-SDR11	800	800	807.2	640	662	627	638	50	100	639	644	88	138	645	656	107	157	657	661	126	176
800-SDR17	800	800	807.2	696	713	687	695	50	100	696	700	79	129	701	709	94	144	710	713	108	158
800-SDR21	800	800	807.2	716	731	708	715	50	100	716	723	76	126	724	727	89	139	728	731	102	152
800-SDR26	800	800	807.2	732	746	723	730	50	100	731	734	76	126	735	738	89	139	739	746	102	152
Inserts de renfort MOPVC																					
710-SDR33	710	710	712	662	668	656	661	50	100	662	664	88	138	665	670	79	129	671	673	126	176
800-SDR33	800	800	802	746	753	739	745	50	100	746	749	72	122	750	756	83	133	757	759	102	152

ADAPTADORES DE BRIDA ULTRAGRIP PN16 DN700 A DN800

Materiales de tuberías, profundidades de inserción y diámetros de tornillos para productos UltraGrip

Tabla 1.

Diámetro nominal	Rango de diámetros exteriores (mm)	Brida diámetro nominal	Accesorio axial		Accesorio radial				Holgura de montaje (mm)		Profundidad de inserción (mm)		Resistencia a presión con agua		
			Métrica de pernos	Par de apriete recomendado (Nm) para todos los materiales	Métrica de tornillos	Par de apriete recomendado (Nm) para fundición dúctil	Par de apriete recomendado (Nm) para PE	Par de apriete recomendado (Nm) para acero y fundición*	Par de apriete recomendado (Nm) para PVC-O	A (mín.)	B (máx.)	X (mín.)	M (máx.)	Producto autoblocante	Producto flexible
DN700	700-735	600	M20	190-210	M16	175-185	140-150	110-120	95-105	475	500	220	245	16 bar	
DN700	700-735	700	M20	190-210	M16	175-185	140-150	110-120	95-105	275	300	220	245	16 bar	
DN700	727-762	700	M20	190-210	M16	175-185	140-150	110-120	95-105	275	300	220	245	16 bar	
DN700	750-785	700	M20	190-210	M16	175-185	140-150	110-120	95-105	275	300	220	245	16 bar	
DN800	789-824	700	M20	190-210	M16	175-185	140-150	110-120	95-105	525	550	220	245	16 bar	
DN800	789-824	800	M20	190-210	M16	175-185	140-150	110-120	95-105	290	315	220	245	16 bar	
DN800	825-860	800	M20	190-210	M16	175-185	140-150	110-120	95-105	290	315	220	245	16 bar	
DN800	853-888	800	M20	190-210	M16	175-185	140-150	110-120	95-105	290	315	220	245	16 bar	

ADVERTENCIA: No observar los requisitos de par de apriete de los distintos materiales de tuberías puede ocasionar deslizamiento o daños en las tuberías.

Tabla 2.

Materiales de tuberías	Autoblocante	No autoblocante	Necesita casquillo rigidizador
Acero	✓	✓	
Fundición dúctil	✓	✓	
Fundición	✓	✓	
PVC-O	✓	✓	✓
PE100	✓	✓	✓
Tubería de barrera de PE	✗	✗	
Fibrocemento	✗	✓	

NOTAS

Estas instrucciones corresponden a la gama de adaptadores de brida UltraGrip para su uso con los materiales de tuberías que se indican en la tabla. Los productos UltraGrip vienen ya montados para su uso como producto resistente a la tracción (autoblocante) y no deben desmontarse antes de su instalación, a menos que se vayan a utilizar como producto flexible (no autoblocante), en cuyo caso no deben apretarse los tornillos al par indicado.

Presión de prueba en obra: 1,5 veces la presión de trabajo

Retirar siempre los revestimientos gruesos y los envoltorios protectores de las tuberías.

Las tuberías aéreas expuestas están sometidas tanto a las cargas de la presión interna como a las de los cambios de temperatura y la expansión térmica, que pueden ser considerablemente más altas que las de la presión interna y no pueden determinarse siempre con seguridad. Las uniones UltraGrip se pueden utilizar en aplicaciones aéreas, donde no estén expuestas a la luz directa del sol ni queden fuera del rango de temperaturas de trabajo de 40 grados (entre -20° y 60°).

*El par nominal de 110-120 para tuberías de fundición asume que el grosor de las paredes de fundición es de 32 mm y que su resistencia estructural permanece intacta. Si el grosor de las tuberías de fundición es menor, contactar con Viking Johnson para averiguar el par de apriete recomendado.

Fig. 4

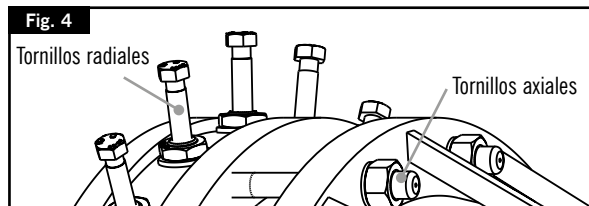


Fig. 1

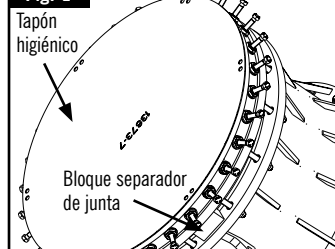


Fig. 2

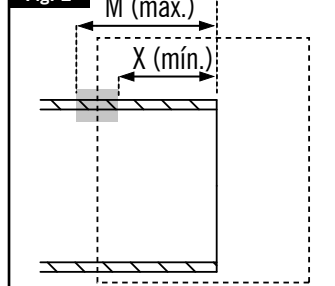
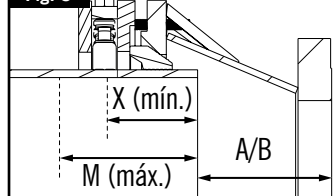


Fig. 3



ADAPTADORES DE BRIDA ULTRAGRIP PN16 DN700 A DN800

Instrucciones de instalación

1. Comprobar que el material y la dimensión de la tubería son aptos para el adaptador de brida UltraGrip. Con PE y PVC-0, utilizar siempre un casquillo rigidizador (consultar las páginas 18-19).
2. Examinar los extremos de las tuberías y comprobar que las superficies de las tuberías estén limpias y sin arañazos, escamas, óxido ni ningún tipo de residuo suelto, o cualquier otro defecto de la superficie que pueda afectar a la precisión de la unión. Los rebordes de soldadura deben estar limados al ras, manteniendo el correcto perfil de la superficie. Retirar siempre los revestimientos gruesos y los envoltorios protectores de las tuberías. UltraGrip debe descansar sobre la superficie desnuda de la tubería o sobre una capa fina de pintura.
3. **Advertencia de peligro:** Las argollas de elevación, si las hay, han sido diseñadas y probadas únicamente para levantar el producto al que van unidas. De no seguir estas instrucciones, podrían producirse lesiones de gravedad o incluso la muerte, así como daños a la propiedad.

Deberá asegurarse de contar con la formación adecuada, ser competente y estar familiarizado con el dispositivo de elevación y los accesorios por utilizar. Asegúrese de utilizar el equipo correcto y de que este lleve indicado el límite de carga de trabajo (WLL), o se disponga de tablas para determinarlo. Asegúrese de realizar una inspección visual del dispositivo de elevación y los accesorios antes de levantar el equipo, y deseché todo el equipo que esté defectuoso. Asegúrese de operar siempre dentro del límite de carga de trabajo correspondiente al equipo. No utilizar equipos que estén defectuosos ni los use fuera del límite de carga de trabajo. Deben ser inspeccionados por un ingeniero de control competente y volver a certificarse. Tan solo deberá llevar a cabo labores de aparejador o maniobrista si es competente y ha recibido la formación correspondiente. La formación debe correr a cargo de un proveedor de formación reconocido. No pasar por debajo de una carga ni hacer pasar una carga por encima de una persona.

4. Todos los adaptadores de brida UltraGrip llevan incorporados tapones higiénicos protectores (que constan de fijaciones biodegradables y cartón biodegradable resistente al agua) para evitar la contaminación. Las protecciones deben retirarse antes de la instalación (Fig. 1). El bloque separador de juntas (Fig. 1) NO debe retirarse todavía.
5. Para garantizar una instalación correcta, marque la profundidad de inserción mínima y máxima según la Tabla 1 en toda la circunferencia de los extremos de ambas tuberías, como se indica en la Fig. 2.
6. Colocar el adaptador de brida UltraGrip en el extremo de la tubería. Alinear la tubería y el adaptador de brida UltraGrip con la brida de acoplamiento, colocar la junta de conexión de la brida (Viking Johnson recomienda utilizar una junta IBC para obtener un sellado óptimo) y los tornillos de conexión de la brida. Asegúrese de que la tubería se haya insertado con una profundidad comprendida entre X (mín.) y M (máx.) como indica la Fig. 3, según las profundidades determinadas en la Tabla 1. Ajustar si es necesario. Apretar los tornillos de conexión de la brida mediante el procedimiento normal. Si el accesorio mecánico se va a instalar en una tubería de extremos lisos. El extremo del producto debe quedar entre la profundidad de inserción mínima y máxima, X (mín.) y M (máx.) (consultar la Tabla 1).
7. Todos los adaptadores de brida UltraGrip llevan incorporados bloques separadores de juntas (Fig. 1), que evitan que los anillos exteriores sean aplastados durante el transporte. Estos separadores deben retirarse antes de la instalación en este paso.
8. Apretar en cruz en secuencia las tuercas de los fijadores axiales según la Fig. 4, dando a cada tuerca una o dos vueltas cada vez para hacer avanzar uniformemente el anillo exterior. Todas las tuercas deben apretarse tantas veces como sea necesario hasta alcanzar el par necesario (consultar la Tabla 1). Una vez finalizada la operación, debe quedar una holgura radial uniforme entre la tubería y el anillo exterior del accesorio, con toda la línea M (máx.) visible y ninguna parte visible de la línea X (mín.)
9. Ahora debe decidir qué tipo de conexión es necesaria: **AUTOBLOCANTE O NO AUTOBLOCANTE:**
 - a. **AUTOBLOCANTE:** Si se va a utilizar como tipo autoblocante, apretar en cruz en secuencia los tornillos de los accesorios radiales como indica la Fig. 4, dando a cada tornillo una o dos vueltas cada vez para acoplar uniformemente los anillos de agarre. Todos los tornillos deben apretarse tantas veces como sea necesario hasta alcanzar el par necesario (consultar la Tabla 1).
 - b. **NO AUTOBLOCANTE:** Si se va a utilizar como tipo no autoblocante, los accesorios radiales no deben apretarse al par indicado. Si se instala como producto flexible (no autoblocante), UltraGrip no evita que se salgan las tuberías de la unión y deberá utilizarse un anclaje adecuado.



ADAPTADORES DE BRIDA ULTRAGRIP PN10 DN700 A DN800

Materiales de tuberías, profundidades de inserción y diámetros de tornillos para productos UltraGrip

Tabla 3.

Diámetro nominal	Rango de diámetros exteriores (mm)	Brida diámetro nominal	Accesorio axial		Accesorio radial				Holgura de montaje (mm)		Profundidad de inserción (mm)		Resistencia a presión con agua		
			Métrica de pernos	Par de apriete recomendado (Nm) para todos los materiales	Métrica de tornillos	Par de apriete recomendado (Nm) para fundición dúctil	Par de apriete recomendado (Nm) para PE	Par de apriete recomendado (Nm) para acero y fundición*	Par de apriete recomendado (Nm) para PVC-O	A (mín.)	B (máx.)	X (mín.)	M (máx.)	Producto autoblocante	Producto flexible
DN700	700-735	600	M20	190-210	M16	175-185	140-150	110-120	95-105	550	575	220	245	10 bar	
DN700	700-735	700	M20	190-210	M16	175-185	140-150	110-120	95-105	265	290	220	245	10 bar	
DN700	727-762	700	M20	190-210	M16	175-185	140-150	110-120	95-105	265	290	220	245	10 bar	
DN700	750-785	700	M20	190-210	M16	175-185	140-150	110-120	95-105	265	290	220	245	10 bar	
DN800	789-824	700	M20	190-210	M16	175-185	140-150	110-120	95-105	415	440	220	245	10 bar	
DN800	789-824	800	M20	190-210	M16	175-185	140-150	110-120	95-105	270	295	220	245	10 bar	
DN800	825-860	800	M20	190-210	M16	175-185	140-150	110-120	95-105	270	295	220	245	10 bar	
DN800	853-888	800	M20	190-210	M16	175-185	140-150	110-120	95-105	270	295	220	245	10 bar	

ADVERTENCIA: No observar los requisitos de par de apriete de los distintos materiales de tuberías puede ocasionar deslizamiento o daños en las tuberías.

Tabla 4.

Materiales de tuberías	Autoblocante	No autoblocante	Necesita casquillo rigidizador
Acero	✓	✓	
Fundición dúctil	✓	✓	
Fundición	✓	✓	
PVC-O	✓	✓	✓
PE100	✓	✓	✓
Tubería de barrera de PE	✗	✗	
Fibrocemento	✗	✓	

NOTAS

Estas instrucciones corresponden a la gama de adaptadores de brida UltraGrip para su uso con los materiales de tuberías que se indican en la tabla. Los productos UltraGrip vienen ya montados para su uso como producto resistente a la tracción (autoblocante) y no deben desmontarse antes de su instalación, a menos que se vayan a utilizar como producto flexible (no autoblocante), en cuyo caso no deben apretarse los tornillos al par indicado.

Presión de prueba en obra: 1,5 veces la presión de trabajo

Retirar siempre los revestimientos gruesos y los envoltorios protectores de las tuberías.

Las tuberías aéreas expuestas están sometidas tanto a las cargas de la presión interna como a las de los cambios de temperatura y la expansión térmica, que pueden ser considerablemente más altas que las de la presión interna y no pueden determinarse siempre con seguridad. Las uniones UltraGrip se pueden utilizar en aplicaciones aéreas, donde no estén expuestas a la luz directa del sol ni queden fuera del rango de temperaturas de trabajo de 40 grados (entre -20° y 60°).

*El par nominal de 110-120 para tuberías de fundición asume que el grosor de las paredes de fundición es de 32 mm y que su resistencia estructural permanece intacta. Si el grosor de las tuberías de fundición es menor, contactar con Viking Johnson para averiguar el par de apriete recomendado.

Fig. 4

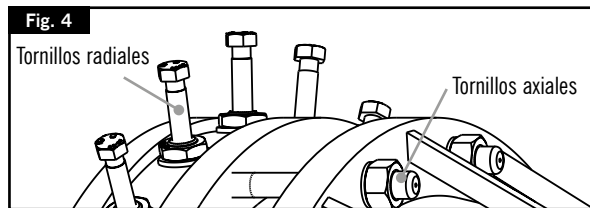


Fig. 1

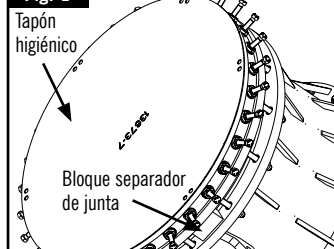


Fig. 2

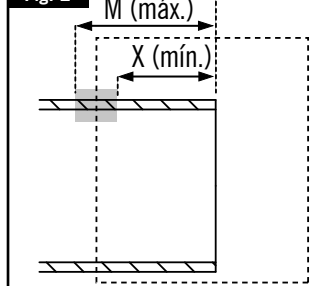
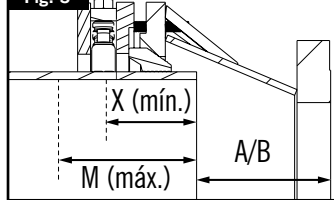


Fig. 3



ADAPTADORES DE BRIDA ULTRAGRIP PN10 DN700 A DN800

Instrucciones de instalación

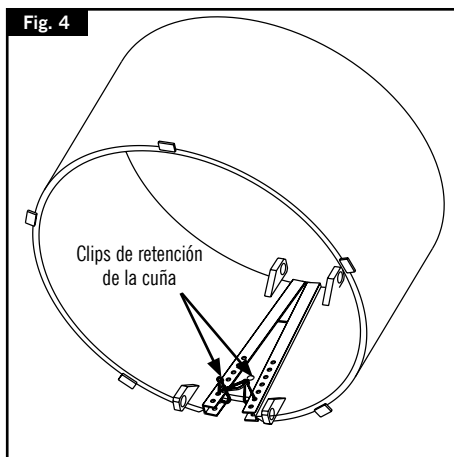
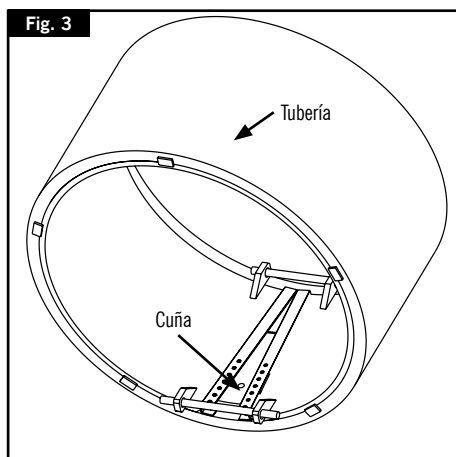
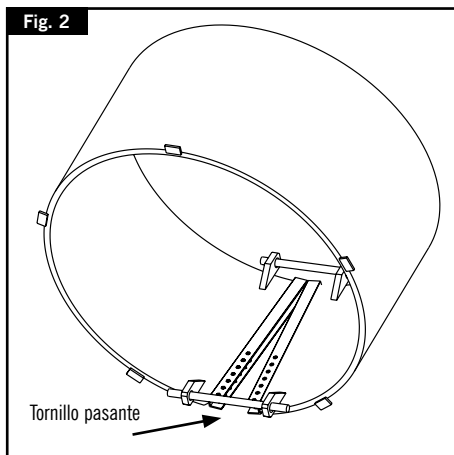
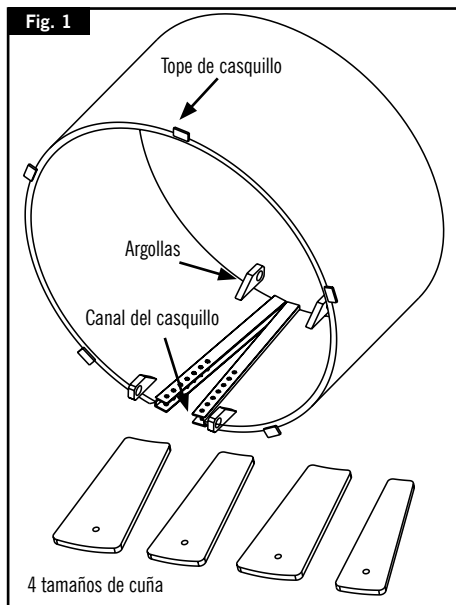
1. Comprobar que el material y la dimensión de la tubería son aptos para el adaptador de brida UltraGrip. Con PE y PVC-0, utilizar siempre un casquillo rigidizador (consultar las páginas 18-19).
2. Examinar los extremos de las tuberías y comprobar que las superficies de las tuberías estén limpias y sin arañazos, escamas, óxido ni ningún tipo de residuo suelto, o cualquier otro defecto de la superficie que pueda afectar a la precisión de la unión. Los rebordes de soldadura deben estar limados al ras, manteniendo el correcto perfil de la superficie. Retirar siempre los revestimientos gruesos y los envoltorios protectores de las tuberías. UltraGrip debe descansar sobre la superficie desnuda de la tubería o sobre una capa fina de pintura.
3. **Advertencia de peligro:** Las argollas de elevación, si las hay, han sido diseñadas y probadas únicamente para levantar el producto al que van unidas. De no seguir estas instrucciones, podrían producirse lesiones de gravedad o incluso la muerte, así como daños a la propiedad.

Deberá asegurarse de contar con la formación adecuada, ser competente y estar familiarizado con el dispositivo de elevación y los accesorios por utilizar. Asegúrese de utilizar el equipo correcto y de que este lleve indicado el límite de carga de trabajo (WLL), o se disponga de tablas para determinarlo. Asegúrese de realizar una inspección visual del dispositivo de elevación y los accesorios antes de levantar el equipo, y deseché todo el equipo que esté defectuoso. Asegúrese de operar siempre dentro del límite de carga de trabajo correspondiente al equipo. No utilizar equipos que estén defectuosos ni los use fuera del límite de carga de trabajo. Deben ser inspeccionados por un ingeniero de control competente y volver a certificarse. Tan solo deberá llevar a cabo labores de aparejador o maniobrista si es competente y ha recibido la formación correspondiente. La formación debe correr a cargo de un proveedor de formación reconocido. No pasar por debajo de una carga ni hacer pasar una carga por encima de una persona.

4. Todos los adaptadores de brida UltraGrip llevan incorporados tapones higiénicos protectores (que constan de fijaciones biodegradables y cartón biodegradable resistente al agua) para evitar la contaminación. Las protecciones deben retirarse antes de la instalación (Fig. 1). El bloque separador de juntas (Fig. 1) NO debe retirarse todavía.
5. Para garantizar una instalación correcta, marque la profundidad de inserción mínima y máxima según la Tabla 3 en toda la circunferencia de los extremos de ambas tuberías, como se indica en la Fig. 2.
6. Colocar el adaptador de brida UltraGrip en el extremo de la tubería. Alinear la tubería y el adaptador de brida UltraGrip con la brida de acoplamiento, colocar la junta de conexión de la brida (Viking Johnson recomienda utilizar una junta IBC para obtener un sellado óptimo) y los tornillos de conexión de la brida. Asegúrese de que la tubería se haya insertado con una profundidad comprendida entre X (mín.) y M (máx.) como indica la Fig. 3, según las profundidades determinadas en la Tabla 3. Ajustar si es necesario. Apretar los tornillos de conexión de la brida mediante el procedimiento normal. Si el accesorio mecánico se va a instalar en una tubería de extremos lisos. El extremo del producto debe quedar entre la profundidad de inserción mínima y máxima, X (mín.) y M (máx.) (consultar la Tabla 3).
7. Todos los adaptadores de brida UltraGrip llevan incorporados bloques separadores de juntas (Fig. 1), que evitan que los anillos exteriores sean aplastados durante el transporte. Estos separadores deben retirarse antes de la instalación en este paso.
8. Apretar en cruz en secuencia las tuercas de los fijadores axiales según la Fig. 4, dando a cada tuerca una o dos vueltas cada vez para hacer avanzar uniformemente el anillo exterior. Todas las tuercas deben apretarse tantas veces como sea necesario hasta alcanzar el par necesario (consultar la Tabla 3). Una vez finalizada la operación, debe quedar una holgura radial uniforme entre la tubería y el anillo exterior del accesorio, con toda la línea M (máx.) visible y ninguna parte visible de la línea X (mín.)
9. Ahora debe decidir qué tipo de conexión es necesaria: **AUTOBLOCANTE O NO AUTOBLOCANTE:**
 - a. **AUTOBLOCANTE:** Si se va a utilizar como tipo autoblocante, apretar en cruz en secuencia los tornillos de los accesorios radiales como indica la Fig. 4, dando a cada tornillo una o dos vueltas cada vez para acoplar uniformemente los anillos de agarre. Todos los tornillos deben apretarse tantas veces como sea necesario hasta alcanzar el par necesario (consultar la Tabla 3).
 - b. **NO AUTOBLOCANTE:** Si se va a utilizar como tipo no autoblocante, los accesorios radiales no deben apretarse al par indicado. Si se instala como producto flexible (no autoblocante), UltraGrip no evita que se salgan las tuberías de la unión y deberá utilizarse un anclaje adecuado.



CASQUILLOS RIGIDIZADORES ULTRAGRIP DE ACERO DULCE CON REVESTIMIENTO DE RILSAN PARA PE Y MOPVC DE DIÁMETROS DN700 A DN800



CASQUILLOS RIGIDIZADORES ULTRAGRIP DE ACERO DULCE CON REVESTIMIENTO DE RILSAN PARA PE Y MOPVC DE DIÁMETROS DN700 A DN800



Instrucciones de instalación

1. Comprobar que el casquillo rigidizador y las cuñas sean adecuados para el diámetro externo y el espesor de la pared de la tubería.
2. Medir el calibre de la tubería y seleccionar la cuña correcta del juego de cuatro provisto (consultar la Tabla 5 para PE y PVC-0).
3. Insertar el casquillo en la tubería hasta que los rebordes hagan tope contra el extremo de la tubería.
4. Ajuste el tornillo pasante adecuado a través de las argollas del casquillo (Fig.2).
5. Usando las tuercas de los tornillos expanda el casquillo hasta que tome contacto con el diámetro interior de la tubería.
6. Inserte la cuña adecuada en el canal del casquillo.
7. Golpear suavemente la cuña hasta que el casquillo se expanda completamente y haga contacto con el interior de la tubería.(Fig.3)
8. Fije los clips de retención de la cuña en los agujeros del canal lo más cercano al final de la cuña para evitar que esta se deslice hacia afuera.
9. Una vez los dos clips se han insertado, use un tercer clip para bloquear todos los clips a la vez.
10. Aflojar las tuercas de los pernos de tracción y sacarlos de los argollas.

Aviso: Un daño en el recubrimiento de las cuñas, o del casquillo, puede provocar oxidación en el producto; debe extremarse el cuidado al insertar las cuñas en los casquillos para evitar este daño en el recubrimiento.

Tabla 5.

D. de tubería	Diámetro de tubería (mm)	Diám. ext. de tubería		Diám. int. de tubería		Cuña 1				Cuña 2				Cuña 3				Cuña 4			
		Mín. (mm)	Máx. (mm)	Mín. (mm)	Máx. (mm)	Diám. int. mín. (mm)	Diám. ext. máx. (mm)	Borde corto (mm)	Borde largo (mm)	Diám. int. mín. (mm)	Diám. ext. máx. (mm)	Borde corto (mm)	Borde largo (mm)	Diám. int. mín. (mm)	Diám. ext. máx. (mm)	Borde corto (mm)	Borde largo (mm)	Diám. int. mín. (mm)	Diám. ext. máx. (mm)	Borde corto (mm)	Borde largo (mm)
Casquillos de PE																					
710-SDR11	710	710	716.4	567	587	555	565	50	100	566	571	85	135	572	582	103	153	583	587	120	170
710-SDR17	710	710	716.4	618	633	610	617	50	100	618	621	76	126	622	629	89	139	630	633	102	152
710-SDR21	710	710	716.4	635	649	626	633	50	100	634	641	76	126	642	645	89	139	646	649	102	152
710-SDR26	710	710	716.4	650	662	642	648	50	100	649	652	72	122	653	655	83	133	656	662	94	144
800-SDR11	800	800	807.2	640	662	627	638	50	100	639	644	88	138	645	656	107	157	657	661	126	176
800-SDR17	800	800	807.2	696	713	687	695	50	100	696	700	79	129	701	709	94	144	710	713	108	158
800-SDR21	800	800	807.2	716	731	708	715	50	100	716	723	76	126	724	727	89	139	728	731	102	152
800-SDR26	800	800	807.2	732	746	723	730	50	100	731	734	76	126	735	738	89	139	739	746	102	152
Casquillos de PVC-0																					
710-SDR33	710	710	712	662	668	656	661	50	100	662	664	88	138	665	670	79	129	671	673	126	176
800-SDR33	800	800	802	746	753	739	745	50	100	746	749	72	122	750	756	83	133	757	759	102	152

ADAPTADOR DE FLANGE ULTRAGRIP PN16 DN700 A DN800

Materiais do tubo, profundidades de inserção e diâmetros de parafuso para produtos UltraGrip

Tabela 1.

Tamanho nom.	D.E. Intervalo (mm)	Tamanho nominal da flange	Elemento de fixação axial		Elemento de fixação radial					Folga de colocação (mm)		Profundidade de inserção (mm)		Pressão nominal para água	
			Tamanho do cravo	Binário recomendado (Nm) no parafuso para todos os materiais	Tamanho do parafuso	Binário recomendado (Nm) no parafuso para ferro dúctil	Binário recomendado (Nm) no parafuso para PE	Binário recomendado (Nm) no parafuso para aço e ferro fundido*	Binário recomendado (Nm) no parafuso para MOPVC	A (mín.)	B (max)	X (mín.)	M (máx.)	Produto de aperto	Produto de flexibilidade
DN700	700-735	600	M20	190-210	M16	175-185	140-150	110-120	95-105	475	500	220	245	16 bar	
DN700	700-735	700	M20	190-210	M16	175-185	140-150	110-120	95-105	275	300	220	245	16 bar	
DN700	727-762	700	M20	190-210	M16	175-185	140-150	110-120	95-105	275	300	220	245	16 bar	
DN700	750-785	700	M20	190-210	M16	175-185	140-150	110-120	95-105	275	300	220	245	16 bar	
DN800	789-824	700	M20	190-210	M16	175-185	140-150	110-120	95-105	525	550	220	245	16 bar	
DN800	789-824	800	M20	190-210	M16	175-185	140-150	110-120	95-105	290	315	220	245	16 bar	
DN800	825-860	800	M20	190-210	M16	175-185	140-150	110-120	95-105	290	315	220	245	16 bar	
DN800	853-888	800	M20	190-210	M16	175-185	140-150	110-120	95-105	290	315	220	245	16 bar	

AVISO: O não cumprimento dos requisitos de binário para diferentes materiais de tubo pode resultar no deslizamento do tubo e/ou em danos no mesmo.

Tabela 2.

Materiais do tubo	Com aperto	Sem aperto	Necessária peça interior de apoio
Aço	✓	✓	
Ferro dúctil	✓	✓	
Ferro fundido	✓	✓	
MOPVC	✓	✓	✓
PE100	✓	✓	✓
Tubo de barreira PE	X	X	
Fibrocimento	X	✓	

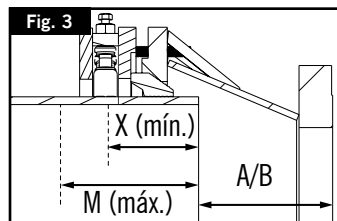
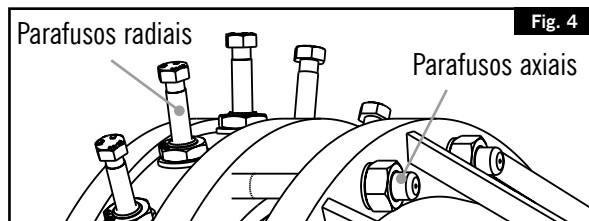
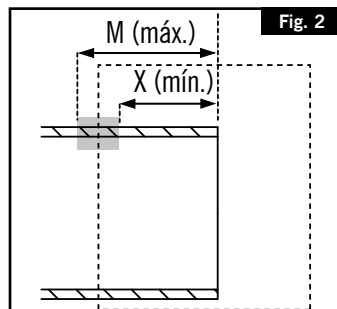
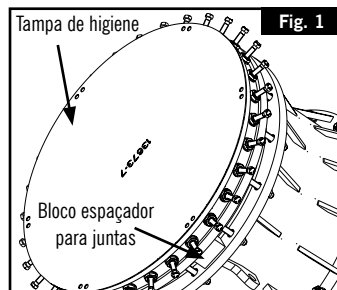
Notas

Estas instruções dizem respeito à gama de adaptadores de flange UltraGrip, para utilização com os materiais de tubo indicados na tabela. Os produtos UltraGrip são fornecidos completamente montados para utilização como produto de restrição (aperto) de extremidade. Não devem ser desmontados antes da instalação, a menos que se destinem a ser utilizados como produtos flexíveis (sem aperto). Nesse caso, os parafusos de pinça não deverão ser apertados.

Pressão de teste no local = 1,5 vezes a pressão de funcionamento
Deverão retirar-se os revestimentos grossos e os invólucros de proteção dos tubos.

As condutas expostas à superfície estão sujeitas a cargas derivadas da pressão interna e cargas derivadas das mudanças de temperatura/expansão térmica, as quais podem ser substancialmente superiores às derivadas da pressão interna e nem sempre podem ser determinadas com segurança. Os produtos UltraGrip podem ser utilizados em aplicações à superfície, sem exposição à luz solar direta e dentro do intervalo de temperatura de funcionamento de 40°C (entre -20°C e +60°C).

*O binário nominal de 110-120 para tubos de ferro fundido pressupõe que o ferro fundido apresenta uma espessura de parede de 32 mm, sem danos à resistência estrutural. Com tubos de ferro fundido de paredes mais finas, contacte a Viking Johnson relativamente ao binário recomendado para os parafusos.



ADAPTADOR DE FLANGE ULTRAGRIP PN16 DN700 A DN800

Instruções de instalação



1. Confirme que o material e o tamanho dos tubos são adequados para o acoplador de flange UltraGrip. Com PE e MOPVC, utilize sempre uma peça interior de apoio. (ver as páginas 24 e 25)
2. Examine as extremidades dos tubos e garanta que as respetivas superfícies estão limpas e sem marcas, oxidação, ferrugem ou detritos soltos ou outros defeitos que possam afetar o desempenho de colocação. Os cordões de soldadura devem estar rentes ao solo para manter um perfil de superfície correto. Deverão retirar-se os revestimentos grossos e os invólucros dos tubos. Os produtos UltraGrip deverão ser instalados na superfície descoberta do tubo ou sobre uma fina película de tinta.
3. **Aviso de perigo:** As orelhas de elevação, quando são fornecidas, foram projetadas/testadas para erguer apenas os produtos aos quais estão fixas. O não cumprimento destas instruções poderá resultar em danos materiais, lesões graves ou morte.

Deverá dispor das devidas qualificações, competências e familiaridade com os aparelhos e acessórios de elevação a utilizar. Garanta a utilização dos equipamentos corretos, com indicação do limite de carga de trabalho (WLL, Working Load Limit) ou disponibilidade de tabelas para calcular o WLL. Inspeção visualmente os aparelhos e acessórios de elevação antes de efetuar a elevação; descarte equipamentos com defeitos. O trabalho deverá encontrar-se dentro do WLL para os equipamentos. Não utilize equipamentos com avarias nem os utilize para além do WLL. Deverá ser examinado por um técnico de inspeção competente ou obter nova certificação. Assuma funções de lingador e sinalizador apenas se tiver as devidas qualificações e competências. Estas devem ser facultadas por uma empresa de formação reconhecida. Nunca caminhe por debaixo ou vire uma carga sobre uma pessoa.
4. Todos os adaptadores de flange UltraGrip incorporam tampas de proteção de higiene (formadas por abraçadeiras biodegradáveis e cartão biodegradável resistente à água), para evitar a contaminação. Estas devem ser retiradas antes da colocação (Fig. 1). O bloco espaçador para juntas (Fig. 1) NÃO deve ser removido nesta altura.
5. Para garantir a instalação correta, assinale as profundidades mínima e máxima de inserção do tubo obtidas a partir da Tabela 1, em torno de toda a circunferência das duas extremidades do tubo, tal como se ilustra na Fig. 2.
6. Deslize o adaptador de flange UltraGrip sobre a extremidade do tubo. Alinhe o tubo e o adaptador de flange UltraGrip com a flange correspondente, instale a junta de ligação da flange (a Viking Johnson recomenda a utilização de uma junta IBC para obter uma vedação ótima) e parafusos de ligação da flange. Confirme que o tubo está inserido a uma profundidade entre X (mín.) e M (máx.), conforme ilustrada na Fig. 3, usando as profundidades obtidas da Tabela 1. Ajuste se for necessário. Aperte os parafusos de ligação da flange de acordo com os procedimentos padrão. Se o conector mecânico for instalado em tubo de extremidade lisa, a extremidade do produto deverá situar-se entre a profundidade mínima e máxima de inserção, X (mín.) e M (máx.) (ver a Tabela 1).
7. Todos os adaptadores de flange UltraGrip incorporam blocos espaçadores de juntas (Fig. 1), para evitar que os anéis das extremidades colapsem durante o transporte. Estes devem ser retirados antes da colocação, nesta altura.
8. Aperte porcas diametralmente opostas dos elementos de fixação axial (conforme a Fig. 4), dando uma ou duas voltas a cada porca para que o anel da extremidade fique alinhado. Deverá apertar todas as porcas tantas vezes quantas seja necessário para alcançar o binário pretendido (ver Tabela 1). Depois de concluído, deverá existir uma folga radial uniforme entre o tubo e o anel da extremidade do conector, com toda a linha M (máx.) visível e nenhuma da linha X (mín.) visível.
9. Determine o tipo de ligação: COM APERTO ou SEM APERTO:
 - a. **COM APERTO** — no tipo com aperto, aperte parafusos diametralmente opostos dos elementos de fixação radial (conforme a Fig. 4), dando uma ou duas voltas a cada parafuso de cada vez, para que os elementos de aperto sejam aplicados de forma uniforme. Deverá apertar todos parafusos tantas vezes quantas seja necessário para alcançar o binário pretendido (ver Tabela 1).
 - b. **SEM APERTO** — no tipo sem aperto, não deverá apertar os elementos de fixação radial. Quando são instalados como produtos flexíveis (sem aperto), os produtos UltraGrip não evitam o desengate dos tubos, sendo necessário aplicar retenção externa adequada.

ADAPTADOR DE FLANGE ULTRAGRIP PN10 DN700 A DN800

Materiais do tubo, profundidades de inserção e diâmetros de parafuso para produtos UltraGrip

Tabela 3.

Tamanho nom.	D.E. Intervalo (mm)	Tamanho nominal da flange	Elemento de fixação axial		Elemento de fixação radial					Folga de colocação (mm)		Profundidade de inserção (mm)		Pressão nominal para água	
			Tamanho do cravo	Binário recomendado (Nm) no parafuso para todos os materiais	Tamanho do parafuso	Binário recomendado (Nm) no parafuso para ferro dúctil	Binário recomendado (Nm) no parafuso para PE	Binário recomendado (Nm) no parafuso para aço e ferro fundido*	Binário recomendado (Nm) no parafuso para MOPVC	A (mín.)	B (max)	X (mín.)	M (máx.)	Produto de aperto	Produto de flexibilidade
DN700	700-735	600	M20	190-210	M16	175-185	140-150	110-120	95-105	550	575	220	245	10 bar	
DN700	700-735	700	M20	190-210	M16	175-185	140-150	110-120	95-105	265	290	220	245	10 bar	
DN700	727-762	700	M20	190-210	M16	175-185	140-150	110-120	95-105	265	290	220	245	10 bar	
DN700	750-785	700	M20	190-210	M16	175-185	140-150	110-120	95-105	265	290	220	245	10 bar	
DN800	789-824	700	M20	190-210	M16	175-185	140-150	110-120	95-105	415	440	220	245	10 bar	
DN800	789-824	800	M20	190-210	M16	175-185	140-150	110-120	95-105	270	295	220	245	10 bar	
DN800	825-860	800	M20	190-210	M16	175-185	140-150	110-120	95-105	270	295	220	245	10 bar	
DN800	853-888	800	M20	190-210	M16	175-185	140-150	110-120	95-105	270	295	220	245	10 bar	

AVISO: O não cumprimento dos requisitos de binário para diferentes materiais de tubo pode resultar no deslizamento do tubo e/ou em danos no mesmo.

Tabela 4.

Materiais do tubo	Com aperto	Sem aperto	Necessária peça interior de apoio
Aço	✓	✓	
Ferro dúctil	✓	✓	
Ferro fundido	✓	✓	
MOPVC	✓	✓	✓
PE100	✓	✓	✓
Tubo de barreira PE	X	X	
Fibrocimento	X	✓	

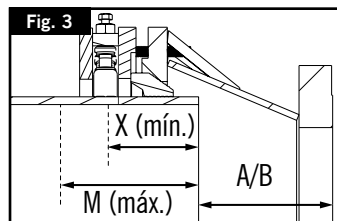
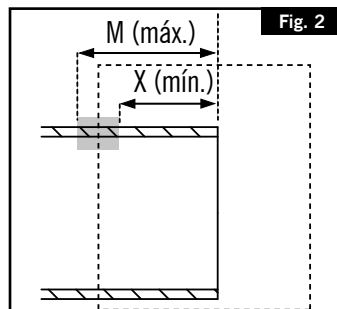
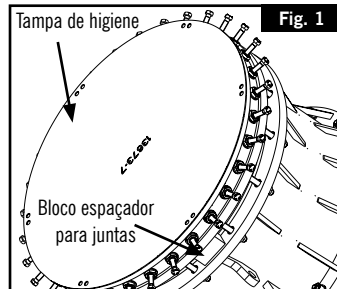
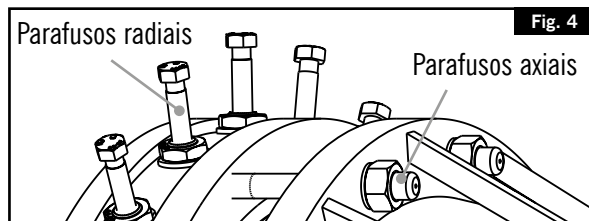
Notas

Estas instruções dizem respeito à gama de adaptadores de flange UltraGrip, para utilização com os materiais de tubo indicados na tabela. Os produtos UltraGrip são fornecidos completamente montados para utilização como produto de restrição (aperto) de extremidade. Não devem ser desmontados antes da instalação, a menos que se destinem a ser utilizados como produtos flexíveis (sem aperto). Nesse caso, os parafusos de pinça não deverão ser apertados.

Pressão de teste no local = 1,5 vezes a pressão de funcionamento
Deverão retirar-se os revestimentos grossos e os invólucros de proteção dos tubos.

As condutas expostas à superfície estão sujeitas a cargas derivadas da pressão interna e cargas derivadas das mudanças de temperatura/expansão térmica, as quais podem ser substancialmente superiores às derivadas da pressão interna e nem sempre podem ser determinadas com segurança. Os produtos UltraGrip podem ser utilizados em aplicações à superfície, sem exposição à luz solar direta e dentro do intervalo de temperatura de funcionamento de 40°C (entre -20°C e +60°C).

*O binário nominal de 110-120 para tubos de ferro fundido pressupõe que o ferro fundido apresenta uma espessura de parede de 32 mm, sem danos à resistência estrutural. Com tubos de ferro fundido de paredes mais finas, contacte a Viking Johnson relativamente ao binário recomendado para os parafusos.



ADAPTADOR DE FLANGE ULTRAGRIP PN10 DN700 A DN800

Instruções de instalação



1. Confirme que o material e o tamanho dos tubos são adequados para o acoplador de flange UltraGrip. Com PE e MOPVC, utilize sempre uma peça interior de apoio. (ver as páginas 24 e 25)
2. Examine as extremidades dos tubos e garanta que as respetivas superfícies estão limpas e sem marcas, oxidação, ferrugem ou detritos soltos ou outros defeitos que possam afetar o desempenho de colocação. Os cordões de soldadura devem estar rentes ao solo para manter um perfil de superfície correto. Deverão retirar-se os revestimentos grossos e os invólucros dos tubos. Os produtos UltraGrip deverão ser instalados na superfície descoberta do tubo ou sobre uma fina película de tinta.
3. **Aviso de perigo:** As orelhas de elevação, quando são fornecidas, foram projetadas/testadas para erguer apenas os produtos aos quais estão fixas. O não cumprimento destas instruções poderá resultar em danos materiais, lesões graves ou morte.

Deverá dispor das devidas qualificações, competências e familiaridade com os aparelhos e acessórios de elevação a utilizar. Garanta a utilização dos equipamentos corretos, com indicação do limite de carga de trabalho (WLL, Working Load Limit) ou disponibilidade de tabelas para calcular o WLL. Inspeção visualmente os aparelhos e acessórios de elevação antes de efetuar a elevação; descarte equipamentos com defeitos. O trabalho deverá encontrar-se dentro do WLL para os equipamentos. Não utilize equipamentos com avarias nem os utilize para além do WLL. Deverá ser examinado por um técnico de inspeção competente ou obter nova certificação. Assuma funções de lingador e sinalizador apenas se tiver as devidas qualificações e competências. Estas devem ser facultadas por uma empresa de formação reconhecida. Nunca caminhe por debaixo ou vire uma carga sobre uma pessoa.
4. Todos os adaptadores de flange UltraGrip incorporam tampas de proteção de higiene (formadas por abraçadeiras biodegradáveis e cartão biodegradável resistente à água), para evitar a contaminação. Estas devem ser retiradas antes da colocação (Fig. 1). O bloco espaçador para juntas (Fig. 1) NÃO deve ser removido nesta altura.
5. Para garantir a instalação correta, assinale as profundidades mínima e máxima de inserção do tubo obtidas a partir da Tabela 3, em torno de toda a circunferência das duas extremidades do tubo, tal como se ilustra na Fig. 2.
6. Deslize o adaptador de flange UltraGrip sobre a extremidade do tubo. Alinhe o tubo e o adaptador de flange UltraGrip com a flange correspondente, instale a junta de ligação da flange (a Viking Johnson recomenda a utilização de uma junta IBC para obter uma vedação ótima) e parafusos de ligação da flange. Confirme que o tubo está inserido a uma profundidade entre X (mín.) e M (máx.), conforme ilustrada na Fig. 3, usando as profundidades obtidas da Tabela 3. Ajuste se for necessário. Aperte os parafusos de ligação da flange de acordo com os procedimentos padrão. Se o conector mecânico for instalado em tubo de extremidade lisa, a extremidade do produto deverá situar-se entre a profundidade mínima e máxima de inserção, X (mín.) e M (máx.) (ver a Tabela 3).
7. Todos os adaptadores de flange UltraGrip incorporam blocos espaçadores de juntas (Fig. 1), para evitar que os anéis das extremidades colapsem durante o transporte. Estes devem ser retirados antes da colocação, nesta altura.
8. Aperte porcas diametralmente opostas dos elementos de fixação axial (conforme a Fig. 4), dando uma ou duas voltas a cada porca para que o anel da extremidade fique alinhado. Deverá apertar todas as porcas tantas vezes quantas seja necessário para alcançar o binário pretendido (ver Tabela 3). Depois de concluído, deverá existir uma folga radial uniforme entre o tubo e o anel da extremidade do conector, com toda a linha M (máx.) visível e nenhuma da linha X (mín.) visível.
9. Determine o tipo de ligação: COM APERTO ou SEM APERTO:
 - a. **COM APERTO** — no tipo com aperto, aperte parafusos diametralmente opostos dos elementos de fixação radial (conforme a Fig. 4), dando uma ou duas voltas a cada parafuso de cada vez, para que os elementos de aperto sejam aplicados de forma uniforme. Deverá apertar todos parafusos tantas vezes quantas seja necessário para alcançar o binário pretendido (ver Tabela 3).
 - b. **SEM APERTO** — no tipo sem aperto, não deverá apertar os elementos de fixação radial. Quando são instalados como produtos flexíveis (sem aperto), os produtos UltraGrip não evitam o desengate dos tubos, sendo necessário aplicar retenção externa adequada.

PEÇAS INTERIORES DE APOIO ULTRAGRIP EM AÇO MACIO E REVESTIMENTO RILSAN PARA TAMANHOS PE E MOPVC DN700 A DN800

Fig. 1

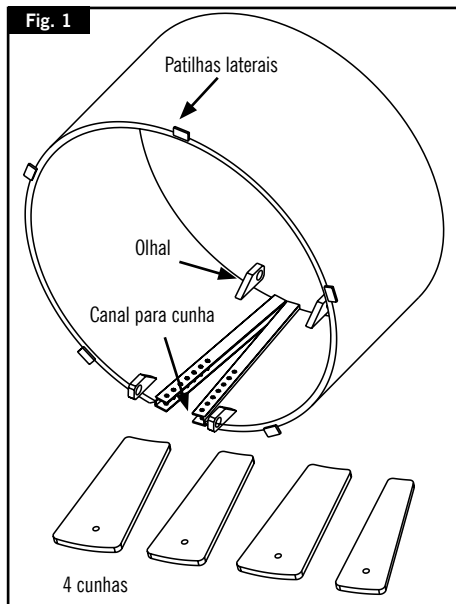


Fig. 2

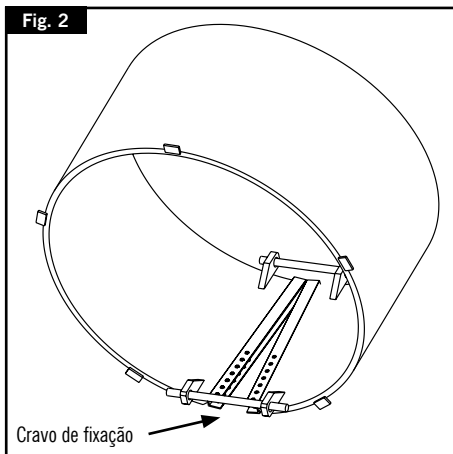


Fig. 4

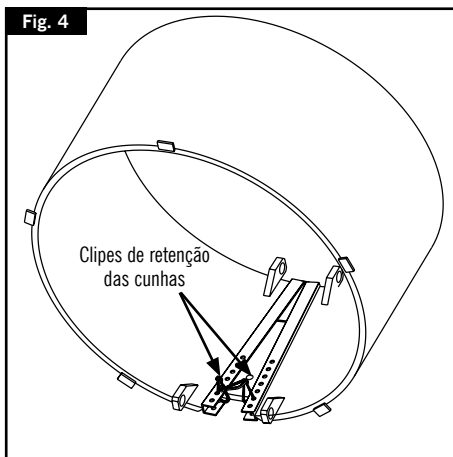
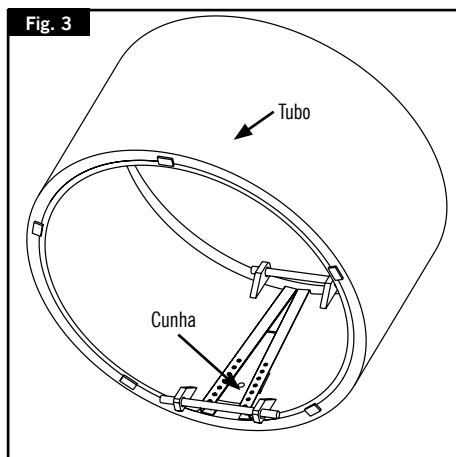


Fig. 3



PEÇAS INTERIORES DE APOIO ULTRAGRIP EM AÇO MACIO E REVESTIMENTO RILSAN PARA TAMANHOS PE E MOPVC DN700 A DN800



Instruções de instalação

1. Confirme que a peça interior de apoio e as cunhas são adequadas para o diâmetro exterior e a espessura da parede do tubo.
2. Meça o furo do tubo e selecione a cunha correta do conjunto de 4 (ver a Tabela 5 para PE e MOPVC).
3. Insira a peça interior no furo do tubo até que as patilhas laterais se encostem à extremidade do tubo.
4. Coloque o cravo de fixação adequado através dos olhais na peça interior (Fig. 2).
5. Usando as porcas nos cravos, expanda a peça interior até esta entrar em contacto com o furo do tubo.
6. Insira a cunha certa no canal da peça interior.
7. Bata na cunha até que a peça interior esteja totalmente expandida contra o furo do tubo (Fig. 3).
8. Aplique os cliques de retenção das cunhas nos furos do canal mais próximos da extremidade da cunha, para evitar que esta deslize para fora.
9. Depois de inserir os dois cliques, use um terceiro clipe para interligar os três. (Fig. 4)
10. Afrouxe as porcas nos cravos de fixação e retire os cravos e as porcas.

AVISO: Os danos às cunhas ou ao revestimento da peça interior resultarão no enferrujamento do produto. Deverá ter-se todo o cuidado ao inserir as cunhas nas peças interiores para evitar danos no revestimento.

Tabela 5.

Código do tubo	Tamanho do tubo (mm)	DE do tubo		DI do tubo		Cunha 1				Cunha 2				Cunha 3				Cunha 4			
		Mín. (mm)	Máx. (mm)	Mín. (mm)	Máx. (mm)	DI mín. (mm)	DI máx. (mm)	Cunha curta (mm)	Cunha longa (mm)	DI mín. (mm)	DI máx. (mm)	Cunha curta (mm)	Cunha longa (mm)	DI mín. (mm)	DI máx. (mm)	Cunha curta (mm)	Cunha longa (mm)	DI mín. (mm)	DI máx. (mm)	Cunha curta (mm)	Cunha longa (mm)
Peças interiores de apoio para PE																					
710-SDR11	710	710	716.4	567	587	555	565	50	100	566	571	85	135	572	582	103	153	583	587	120	170
710-SDR17	710	710	716.4	618	633	610	617	50	100	618	621	76	126	622	629	89	139	630	633	102	152
710-SDR21	710	710	716.4	635	649	626	633	50	100	634	641	76	126	642	645	89	139	646	649	102	152
710-SDR26	710	710	716.4	650	662	642	648	50	100	649	652	72	122	653	655	83	133	656	662	94	144
800-SDR11	800	800	807.2	640	662	627	638	50	100	639	644	88	138	645	656	107	157	657	661	126	176
800-SDR17	800	800	807.2	696	713	687	695	50	100	696	700	79	129	701	709	94	144	710	713	108	158
800-SDR21	800	800	807.2	716	731	708	715	50	100	716	723	76	126	724	727	89	139	728	731	102	152
800-SDR26	800	800	807.2	732	746	723	730	50	100	731	734	76	126	735	738	89	139	739	746	102	152
Peças interiores de apoio para MOPVC																					
710-SDR33	710	710	712	662	668	656	661	50	100	662	664	88	138	665	670	79	129	671	673	126	176
800-SDR33	800	800	802	746	753	739	745	50	100	746	749	72	122	750	756	83	133	757	759	102	152

ULTRAGRIP-FLANSCHADAPTER PN16 DN700 BIS DN800

Rohrwerkstoffe, Einsetztiefe und Schraubendurchmesser für UltraGrip-Produkte

Table 1.

Nennweite	Außendurchmesser (mm)	Flansch Nennweite	Axiale Befestigung		Radiale Befestigung					Rohrendenabstand (mm)		Einsetztiefe (mm)		Druckbelastbarkeit bei Wasser	
			Bolzengröße	Empfohlenes Anzugsmoment (Nm) für alle Materialien	Schraubengröße	Empfohlenes Anzugsmoment (Nm) für Duktileguss	Empfohlenes Anzugsmoment (Nm) für PE	Empfohlenes Anzugsmoment (Nm) für Stahl & Gusseisen*	Empfohlenes Anzugsmoment (Nm) für PVC-0	A (Min.)	B (Max.)	X (Min.)	M (Max.)	Zugfestes Produkt	Flexibles Produkt
DN700	700-735	600	M20	190-210	M16	175-185	140-150	110-120	95-105	475	500	220	245	16 bar	
DN700	700-735	700	M20	190-210	M16	175-185	140-150	110-120	95-105	275	300	220	245	16 bar	
DN700	727-762	700	M20	190-210	M16	175-185	140-150	110-120	95-105	275	300	220	245	16 bar	
DN700	750-785	700	M20	190-210	M16	175-185	140-150	110-120	95-105	275	300	220	245	16 bar	
DN800	789-824	700	M20	190-210	M16	175-185	140-150	110-120	95-105	525	550	220	245	16 bar	
DN800	789-824	800	M20	190-210	M16	175-185	140-150	110-120	95-105	290	315	220	245	16 bar	
DN800	825-860	800	M20	190-210	M16	175-185	140-150	110-120	95-105	290	315	220	245	16 bar	
DN800	853-888	800	M20	190-210	M16	175-185	140-150	110-120	95-105	290	315	220	245	16 bar	

ACHTUNG: Die Nichtbeachtung der Anzugsmomente für unterschiedliche Rohrwerkstoffe kann zu Schlupf und/oder Rohrschaden führen.

Tabelle 2.

Rohrwerkstoffe	Zugfest	Nicht zugfest	Stützing erforderlich
Stahl	✓	✓	
Duktileguss	✓	✓	
Gusseisen	✓	✓	
PVC-0	✓	✓	✓
PE100	✓	✓	✓
PE-Schutzmantelrohr	✗	✗	
Fasercement	✗	✓	

ANMERKUNGEN

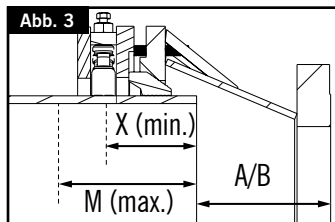
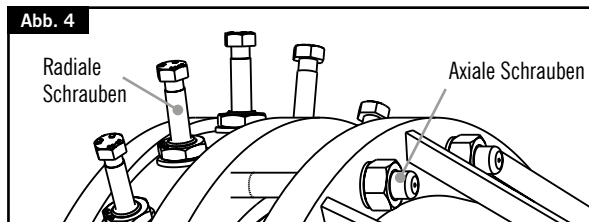
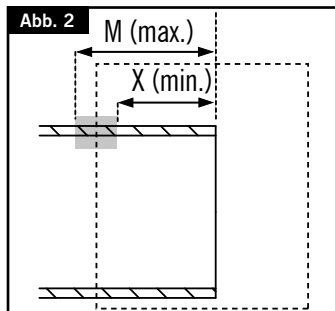
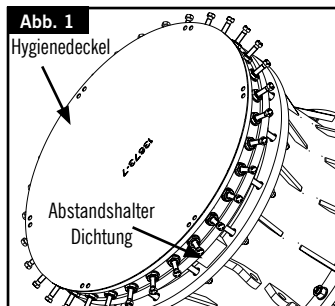
Diese Anweisungen gelten für Flanschadapter von UltraGrip zur Anwendung mit den in der Tabelle aufgeführten Rohrwerkstoffen. UltraGrip wird vollständig zusammengebaut zur Anwendung als Endverbindung (zugfest) geliefert. Das Produkt sollte vor der Installation nicht demontiert werden, sofern es nicht als flexibles (nicht zugfestes) Produkt verwendet wird. In diesem Fall sollten die Greifschrauben nicht festgedreht werden.

Montagetestdruck = 1,5 x Betriebsdruck

Dicke Rohrbeschichtungen und Schutzmantelungen müssen immer entfernt werden.

Oberirdische, freiliegende Rohrleitungen sind Lasten durch den Innendruck und solchen aus Temperaturveränderungen / Wärmeausdehnung ausgesetzt. Letztere können deutlich höher ausfallen als die durch Innendruck und können nicht immer sicher bestimmt werden. UltraGrip ist für oberirdische Anwendungen geeignet, sofern das Produkt keinem direkten Sonnenlicht ausgesetzt ist und die Temperaturen innerhalb der 40-Grad-Betriebsspanne liegen (zwischen -20 und 60).

*Die Drehmomentangabe von 110-120 für Rohre aus Gusseisen bezieht sich auf eine Gusseisenstärke von 32 mm bei Bedingungen, zu denen die Strukturfestigkeit nicht beeinträchtigt ist. Wenden Sie sich für Angaben zu dünneren Rohren aus Gusseisen bitte an Viking Johnson für Empfehlungen zum Drehmoment.



ULTRAGRIP-FLANSCHADAPTER PN16 DN700 BIS DN800



Montageanleitung

1. Stellen Sie sicher, dass der Rohrwerkstoff und die Größe zum UltraGrip-Flanschadapter passen. Verwenden Sie bei PE & PVC-O immer einen Stützring. (Siehe Seiten 30-31)
2. Prüfen Sie die Rohrenden und stellen Sie sicher, dass die Oberflächen sauber und frei von Riefen, Kesselstein, Rost oder anderen losen Ablagerungen bzw. anderen Oberflächenmängeln sind, welche die Passform beeinträchtigen könnten. Schweißnähte müssen geschliffen werden, um das korrekte Oberflächenprofil zu erhalten. Dicke Rohrbeschichtungen oder Ummantelungen müssen immer entfernt werden. UltraGrip muss entweder direkt auf der Rohroberfläche oder auf einem dünnen Lackfilm aufliegen.
3. **Gefahrenhinweis:** Sofern mitgeliefert sind die Hebeösen nur für das Produkt, an dem sie angebracht sind, geeignet/getestet. Die Nichtbeachtung dieser Anweisungen kann zu schweren Verletzungen oder Tod bzw. Sachschaden führen.

Stellen Sie sicher, dass Sie zur Anwendung der Hebevorrichtung und deren Zubehör qualifiziert, geschult und mit ihr vertraut sind. Stellen Sie sicher, dass die korrekte Ausrüstung verwendet wird und mit der Betriebslastgrenze gekennzeichnet ist bzw. Tabellen zu deren Bestimmung vorliegen. Führen Sie vor Einsatz eine Sichtprüfung der Hebevorrichtung und deren Zubehör durch und entfernen Sie mangelhafte Teile. Betätigen Sie die Vorrichtung nur innerhalb der Betriebslastgrenze. Verwenden Sie keine defekte Ausrüstung oder betreiben Sie außerhalb der Betriebslastgrenze. Defekte Ausrüstung muss von einer Kontrollfachkraft untersucht und erneut zertifiziert werden. Agieren Sie nur dann als Anschläger oder Einweiser, wenn Sie über die erforderliche Zertifizierung und Schulung verfügen. Diese müssen von einem anerkannten Ausbilder stammen. Bewegen Sie sich nicht unter einer Last oder schwenken diese über eine Person.

4. Alle UltraGrip-Flanschadapter sind zur Vermeidung von Kontaminierung mit Hygieneschutzkappen (aus biologisch abbaubaren Verschlüssen und biologisch abbaubarer wasserfester Pappe) ausgestattet. Diese müssen vor der Anbringung entfernt werden (Abb. 1). Der Abstandshalter der Dichtung (Abb. 1) wird an diesem Punkt NICHT entfernt.
5. Bringen Sie für eine korrekte Montage entlang des gesamten Umfangs beider Rohrenden eine Markierung für die minimale und maximale Einsetztiefe aus Tabelle 1 an (siehe Abb. 2).
6. Schieben Sie den UltraGrip-Flanschadapter auf das Leitungsende. Bringen Sie die Leitung und den UltraGrip-Flanschadapter mit der Gegenflansch in Position, passen Sie die Verbindungsdichtung (Viking Johnson empfiehlt für optimale Abdichtung eine IBC-Dichtung) und die Verbindungsschrauben an. Führen Sie die Leitung anhand der Angaben in Tabelle 1 in einer Tiefe zwischen X (Min.) und M (Max.) ein (siehe Abb. 3). – Passen Sie bei Bedarf an. Ziehen Sie die Verbindungsschrauben nach üblicher Vorgehensweise an. Wenn die mechanische Armatur an einem Glattrohr angebracht wird, sollte das Ende des Produkts zwischen der minimalen und maximalen Einsetztiefe X (Min.) und M (Max.) sitzen (siehe Tabelle 1).
7. Alle UltraGrip-Flanschadapter sind mit Abstandshaltern für Dichtungen (Abb. 1) ausgestattet. Diese verhindern, dass die Folgeringe beim Transport einfallen. Diese müssen jetzt vor der Anbringung entfernt werden.
8. Ziehen Sie wie in Abb. 4 die diametral entgegengesetzten Muttern der axialen Befestigung fest. Führen Sie dabei pro Mutter jeweils ein bis zwei Umdrehungen durch, um den Folgering gleichmäßig anzuziehen. Alle Muttern müssen so oft wie nötig angezogen werden, um das erforderliche Drehmoment zu erreichen (siehe Tabelle 1). Anschließend sollte zwischen dem Rohr und dem Folgering ein gleichmäßiger radialer Spalt sein, wobei die M (Max.)-Linie vollständig sichtbar und die X (Min.)-Linie vollständig abgedeckt sind.
9. Entscheiden Sie jetzt über die Art der Verbindung: ZUGFEST oder NICHT ZUGFEST:-
 - a. **ZUGFEST** – Bei Einsatz als zugfeste Verbindung ziehen Sie jetzt die diametral entgegengesetzten Schrauben der radialen Befestigung fest (siehe Abb. 4). Führen Sie jeweils ein bis zwei Umdrehungen durch, damit die Greifer gleichmäßig angezogen werden. Alle Schrauben müssen so oft wie nötig angezogen werden, um das erforderliche Drehmoment zu erreichen (siehe Tabelle 1).
 - b. **NICHT ZUGFEST** – Bei Einsatz als nicht zugfeste Verbindung müssen die radialen Befestigungen nicht angezogen werden. Bei Installation als flexible (nicht zugfeste) Verbindung verhindert die UltraGrip das Herausziehen des Rohres nicht. Es müssen entsprechend externe Halterungen angebracht werden.

ULTRAGRIP-FLANSCHADAPTER PN10 DN700 BIS DN800

Rohrwerkstoffe, Einsetztiefe und Schraubendurchmesser für UltraGrip-Produkte

Tabelle 3.

Nennweite	Außendurchmesser (mm)	Flansch Nennweite	Axiale Befestigung		Radiale Befestigung					Rohrendenabstand (mm)		Einsetztiefe (mm)		Druckbelastbarkeit bei Wasser	
			Bolzengröße	Empfohlenes Anzugsmoment (Nm) für alle Materialien	Schraubengröße	Empfohlenes Anzugsmoment (Nm) für Duktileguss	Empfohlenes Anzugsmoment (Nm) für PE	Empfohlenes Anzugsmoment (Nm) für Stahl & Gusseisen*	Empfohlenes Anzugsmoment (Nm) für PVC-0	A (Min.)	B (Max.)	X (Min.)	M (Max.)	Zugfestes Produkt	Flexibles Produkt
DN700	700-735	600	M20	190-210	M16	175-185	140-150	110-120	95-105	550	575	220	245	10 bar	
DN700	700-735	700	M20	190-210	M16	175-185	140-150	110-120	95-105	265	290	220	245	10 bar	
DN700	727-762	700	M20	190-210	M16	175-185	140-150	110-120	95-105	265	290	220	245	10 bar	
DN700	750-785	700	M20	190-210	M16	175-185	140-150	110-120	95-105	265	290	220	245	10 bar	
DN800	789-824	700	M20	190-210	M16	175-185	140-150	110-120	95-105	415	440	220	245	10 bar	
DN800	789-824	800	M20	190-210	M16	175-185	140-150	110-120	95-105	270	295	220	245	10 bar	
DN800	825-860	800	M20	190-210	M16	175-185	140-150	110-120	95-105	270	295	220	245	10 bar	
DN800	853-888	800	M20	190-210	M16	175-185	140-150	110-120	95-105	270	295	220	245	10 bar	

ACHTUNG: Die Nichtbeachtung der Anzugsmomente für unterschiedliche Rohrwerkstoffe kann zu Schlupf und/oder Rohrschaden führen.

Tabelle 4.

Rohrwerkstoffe	Zugfest	Nicht zugfest	Stützing erforderlich
Stahl	✓	✓	
Duktileguss	✓	✓	
Gusseisen	✓	✓	
PVC-0	✓	✓	✓
PE100	✓	✓	✓
PE-Schutzmantelrohr	✗	✗	
Faserzement	✗	✓	

ANMERKUNGEN

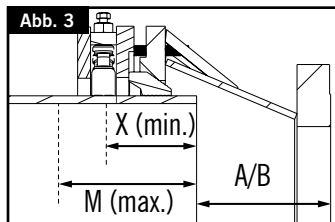
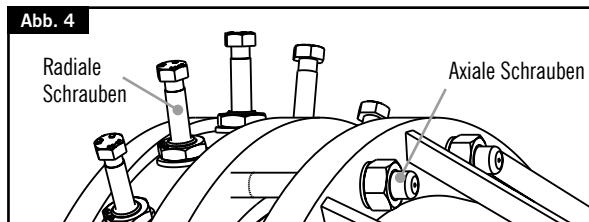
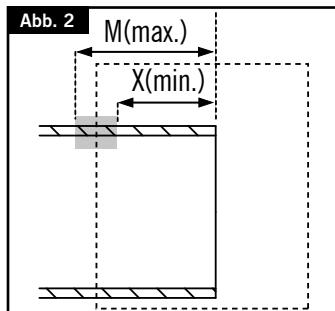
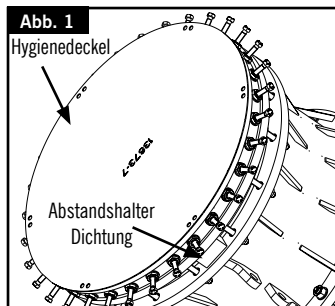
Diese Anweisungen gelten für Flanschadapter von UltraGrip zur Anwendung mit den in der Tabelle aufgeführten Rohrwerkstoffen. UltraGrip wird vollständig zusammengebaut zur Anwendung als Endverbindung (zugfest) geliefert. Das Produkt sollte vor der Installation nicht demontiert werden, sofern es nicht als flexibles (nicht zugfestes) Produkt verwendet wird. In diesem Fall sollten die Greifschrauben nicht festgedreht werden.

Montagetestdruck = 1,5 x Betriebsdruck

Dicke Rohrbeschichtungen und Schutzmantelungen müssen immer entfernt werden.

Oberirdische, freiliegende Rohrleitungen sind Lasten durch den Innendruck und solchen aus Temperaturveränderungen / Wärmeausdehnung ausgesetzt. Letztere können deutlich höher ausfallen als die durch Innendruck und können nicht immer sicher bestimmt werden. UltraGrip ist für oberirdische Anwendungen geeignet, sofern das Produkt keinem direkten Sonnenlicht ausgesetzt ist und die Temperaturen innerhalb der 40-Grad-Betriebsspanne liegen (zwischen -20 und 60).

*Die Drehmomentangabe von 110-120 für Rohre aus Gusseisen bezieht sich auf eine Gusseisenstärke von 32 mm bei Bedingungen, zu denen die Strukturfestigkeit nicht beeinträchtigt ist. Wenden Sie sich für Angaben zu dünneren Rohren aus Gusseisen bitte an Viking Johnson für Empfehlungen zum Drehmoment.



ULTRAGRIP-FLANSCHADAPTER PN10 DN700 BIS DN800



Montageanleitung

1. Stellen Sie sicher, dass der Rohrwerkstoff und die Größe zum UltraGrip-Flanschadapter passen. Verwenden Sie bei PE & PVC-O immer einen Stützring. (Siehe Seiten 30-31)
2. Prüfen Sie die Rohrenden und stellen Sie sicher, dass die Oberflächen sauber und frei von Riefen, Kesselstein, Rost oder anderen losen Ablagerungen bzw. anderen Oberflächenmängeln sind, welche die Passform beeinträchtigen könnten. Schweißnähte müssen geschliffen werden, um das korrekte Oberflächenprofil zu erhalten. Dicke Rohrbeschichtungen oder Ummantelungen müssen immer entfernt werden. UltraGrip muss entweder direkt auf der Rohroberfläche oder auf einem dünnen Lackfilm aufliegen.
3. **Gefahrenhinweis:** Sofern mitgeliefert sind die Hebeösen nur für das Produkt, an dem sie angebracht sind, geeignet/getestet. Die Nichtbeachtung dieser Anweisungen kann zu schweren Verletzungen oder Tod bzw. Sachschaden führen.

Stellen Sie sicher, dass Sie zur Anwendung der Hebevorrichtung und deren Zubehör qualifiziert, geschult und mit ihr vertraut sind. Stellen Sie sicher, dass die korrekte Ausrüstung verwendet wird und mit der Betriebslastgrenze gekennzeichnet ist bzw. Tabellen zu deren Bestimmung vorliegen. Führen Sie vor Einsatz eine Sichtprüfung der Hebevorrichtung und deren Zubehör durch und entfernen Sie mangelhafte Teile. Betätigen Sie die Vorrichtung nur innerhalb der Betriebslastgrenze. Verwenden Sie keine defekte Ausrüstung oder betreiben Sie außerhalb der Betriebslastgrenze. Defekte Ausrüstung muss von einer Kontrollfachkraft untersucht und erneut zertifiziert werden. Agieren Sie nur dann als Anschläger oder Einweiser, wenn Sie über die erforderliche Zertifizierung und Schulung verfügen. Diese müssen von einem anerkannten Ausbilder stammen. Bewegen Sie sich nicht unter einer Last oder schwenken diese über eine Person.

4. Alle UltraGrip-Flanschadapter sind zur Vermeidung von Kontaminierung mit Hygieneschutzkappen (aus biologisch abbaubaren Verschlüssen und biologisch abbaubarer wasserfester Pappe) ausgestattet. Diese müssen vor der Anbringung entfernt werden (Abb. 1). Der Abstandshalter der Dichtung (Abb. 1) wird an diesem Punkt NICHT entfernt.
5. Bringen Sie für eine korrekte Montage entlang des gesamten Umfangs beider Rohrenden eine Markierung für die minimale und maximale Einsetztiefe aus Tabelle 3 an (siehe Abb. 2).
6. Schieben Sie den UltraGrip-Flanschadapter auf das Leitungsende. Bringen Sie die Leitung und den UltraGrip-Flanschadapter mit der Gegenflansch in Position, passen Sie die Verbindungsdichtung (Viking Johnson empfiehlt für optimale Abdichtung eine IBC-Dichtung) und die Verbindungsschrauben an. Führen Sie die Leitung anhand der Angaben in Tabelle 3 in einer Tiefe zwischen X (Min.) und M (Max.) ein (siehe Abb. 3). – Passen Sie bei Bedarf an. Ziehen Sie die Verbindungsschrauben nach üblicher Vorgehensweise an. Wenn die mechanische Armatur an einem Glattrohr angebracht wird, sollte das Ende des Produkts zwischen der minimalen und maximalen Einsetztiefe X (Min.) und M (Max.) sitzen (siehe Tabelle 3).
7. Alle UltraGrip-Flanschadapter sind mit Abstandshaltern für Dichtungen (Abb. 1) ausgestattet. Diese verhindern, dass die Folgeringe beim Transport einfallen. Diese müssen jetzt vor der Anbringung entfernt werden.
8. Ziehen Sie wie in Abb. 4 die diametral entgegengesetzten Muttern der axialen Befestigung fest. Führen Sie dabei pro Mutter jeweils ein bis zwei Umdrehungen durch, um den Folgering gleichmäßig anzuziehen. Alle Muttern müssen so oft wie nötig angezogen werden, um das erforderliche Drehmoment zu erreichen (siehe Tabelle 3). Anschließend sollte zwischen dem Rohr und dem Folgering ein gleichmäßiger radialer Spalt sein, wobei die M (Max.)-Linie vollständig sichtbar und die X (Min.)-Linie vollständig abgedeckt sind.
9. Entscheiden Sie jetzt über die Art der Verbindung: ZUGFEST oder NICHT ZUGFEST:-
 - a. **ZUGFEST** – Bei Einsatz als zugfeste Verbindung ziehen Sie jetzt die diametral entgegengesetzten Schrauben der radialen Befestigung fest (siehe Abb. 4). Führen Sie jeweils ein bis zwei Umdrehungen durch, damit die Greifer gleichmäßig angezogen werden. Alle Schrauben müssen so oft wie nötig angezogen werden, um das erforderliche Drehmoment zu erreichen (siehe Tabelle 3).
 - b. **NICHT ZUGFEST** – Bei Einsatz als nicht zugfeste Verbindung müssen die radialen Befestigungen nicht angezogen werden. Bei Installation als flexible (nicht zugfeste) Verbindung verhindert die UltraGrip das Herausziehen des Rohres nicht. Es müssen entsprechend externe Halterungen angebracht werden.

ULTRAGRIP RILSAN-BESCHICHTETE BAUSTAHL STÜTZRINGE FÜR PE- UND MOPVC-GRÖSSEN DN700 BIS DN800

Abb. 1

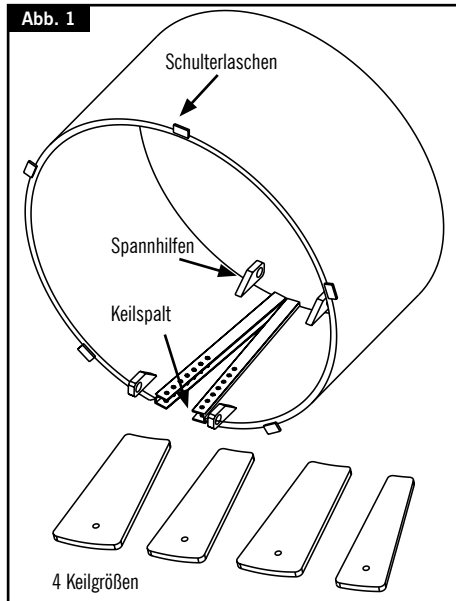


Abb. 2

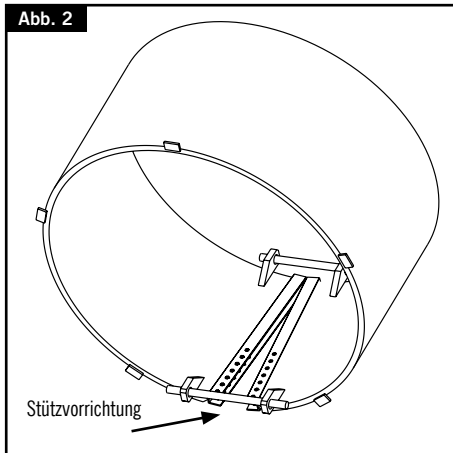


Abb. 4

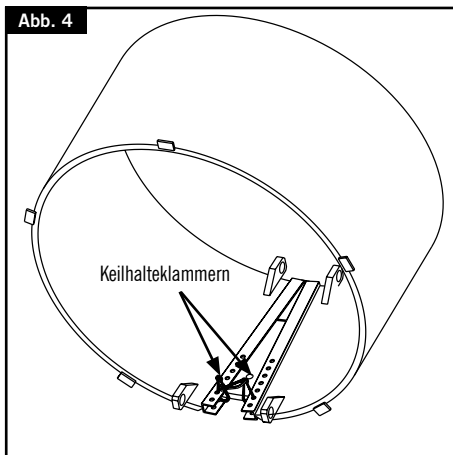
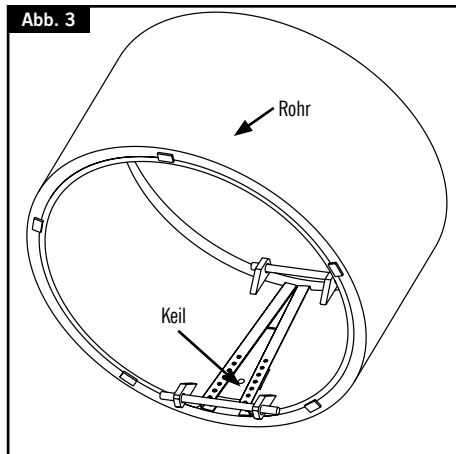


Abb. 3



ULTRAGRIP RILSAN-BESCHICHTETE BAUSTAHL STÜTZRINGE FÜR PE- UND MOPVC-GRÖSSEN DN700 BIS DN800



Montageanleitung

1. Stellen Sie sicher, dass der Stützring und die Keile für den Außendurchmesser und die Wanddicke der Leitung geeignet sind.
2. Messen Sie den Innendurchmesser der Leitung und wählen Sie den entsprechenden Keil aus (Siehe Tabelle 5 für PE und PVC-O).
3. Führen Sie den Ring in die Bohrung der Leitung ein, bis die Ausweitung am Rohrende anliegt.
4. Stecken Sie den entsprechenden Anhebelbolzen durch die Spannhilfe Ösen in dem Liner (Abb. 2).
5. Expandieren Sie den Liner mit den Muttern an den Stehbolzen, bis dieser die Rohrwandung berührt.
6. Setzen Sie den passenden Keil in den Spalt des Liners ein.
7. Klopfen Sie den Keil ein, bis der Ring vollständig entlang der Rohrbohrung ausgeweitet ist. (Abb. 3)
8. Klemmen Sie die Keilhalteklammern in die Bohrungen, die dem Ende des Keils am nächsten sind, um ein Herausrutschen des Keils zu verhindern.
9. Nachdem die beiden Klemmen eingesetzt wurden, verwenden Sie einen dritten Klemme, um alle Klemmen miteinander zu verbinden. (Abb. 4)
10. Lösen Sie die Muttern an den Andrückbolzen und nehmen Sie diese aus den Augenschrauben.

WARNUNG: Schäden an der Keil- oder Linerbeschichtung führen zum Rosten des Produkts; Beim Einsetzen der Keile in die Liner ist äußerste Sorgfalt geboten, um eine Beschädigung der Beschichtung zu vermeiden.

Tabelle 5.

Rohr Code	Rohrgröße (mm)	Außendurchmesser Rohr		Innendurchmesser Rohr		Keil 1				Keil 2				Keil 3				Keil 4			
		Min. (mm)	Max. (mm)	Min. (mm)	Max. (mm)	Min. Innendurchmesser (mm)	Max. Innendurchmesser (mm)	Kurze Kante (mm)	Lange Kante (mm)	Min. Innendurchmesser (mm)	Max. Innendurchmesser (mm)	Kurze Kante (mm)	Lange Kante (mm)	Min. Innendurchmesser (mm)	Max. Innendurchmesser (mm)	Kurze Kante (mm)	Lange Kante (mm)	Min. Innendurchmesser (mm)	Max. Innendurchmesser (mm)	Kurze Kante (mm)	Lange Kante (mm)
PE-Ringe																					
710-SDR11	710	710	716.4	567	587	555	565	50	100	566	571	85	135	572	582	103	153	583	587	120	170
710-SDR17	710	710	716.4	618	633	610	617	50	100	618	621	76	126	622	629	89	139	630	633	102	152
710-SDR21	710	710	716.4	635	649	626	633	50	100	634	641	76	126	642	645	89	139	646	649	102	152
710-SDR26	710	710	716.4	650	662	642	648	50	100	649	652	72	122	653	655	83	133	656	662	94	144
800-SDR11	800	800	807.2	640	662	627	638	50	100	639	644	88	138	645	656	107	157	657	661	126	176
800-SDR17	800	800	807.2	696	713	687	695	50	100	696	700	79	129	701	709	94	144	710	713	108	158
800-SDR21	800	800	807.2	716	731	708	715	50	100	716	723	76	126	724	727	89	139	728	731	102	152
800-SDR26	800	800	807.2	732	746	723	730	50	100	731	734	76	126	735	738	89	139	739	746	102	152
PVC-O-Ringe																					
710-SDR33	710	710	712	662	668	656	661	50	100	662	664	88	138	665	670	79	129	671	673	126	176
800-SDR33	800	800	802	746	753	739	745	50	100	746	749	72	122	750	756	83	133	757	759	102	152



ULTRAGRIP FLÄNSADAPTRAR PN16 DN700 TILL DN800

Rörmaterial, installationsdjup och bultdiametrar för UltraGrip-produkter

Tabell 1.

Nominell storlek	YD Intervall (mm)	Fläns nom storlek	Axiellt fäste		Radiellt fäste				Inställningsavstånd (mm)		Insättningsdjup (mm)		Tryckklassning för vatten		
			Pinnbult storlek	Rekommenderat bultvridmoment (Nm) för alla material	Bultstorlek	Rekommenderat bultvridmoment (Nm) för segjärn	Rekommenderat bultvridmoment (Nm) för PE	Rekommenderat bultvridmoment (Nm) för stål och gjutjärn*	Rekommenderat bultvridmoment (Nm) för MOPVC	A (min)	B (max)	X (min)	M (max)	Produkt med dragsäkerhet	Produkt med flexibilitet
DN700	700-735	600	M20	190-210	M16	175-185	140-150	110-120	95-105	475	500	220	245	16 bar	
DN700	700-735	700	M20	190-210	M16	175-185	140-150	110-120	95-105	275	300	220	245	16 bar	
DN700	727-762	700	M20	190-210	M16	175-185	140-150	110-120	95-105	275	300	220	245	16 bar	
DN700	750-785	700	M20	190-210	M16	175-185	140-150	110-120	95-105	275	300	220	245	16 bar	
DN800	789-824	700	M20	190-210	M16	175-185	140-150	110-120	95-105	525	550	220	245	16 bar	
DN800	789-824	800	M20	190-210	M16	175-185	140-150	110-120	95-105	290	315	220	245	16 bar	
DN800	825-860	800	M20	190-210	M16	175-185	140-150	110-120	95-105	290	315	220	245	16 bar	
DN800	853-888	800	M20	190-210	M16	175-185	140-150	110-120	95-105	290	315	220	245	16 bar	

WARNING: Om momentkraven för olika rörmaterial inte följs kan det leda till rörglidning, och / eller rörskador.

Tabell 2.

Rörmaterial	Dragsäker	Icke dragsäker	Stödhylsa krävs
Stål	✓	✓	
Segjärn	✓	✓	
Gjutjärn	✓	✓	
MOPVC	✓	✓	✓
PE100	✓	✓	✓
PE Barriär rör	✗	✗	
Asbestcement	✗	✓	

Noteringar

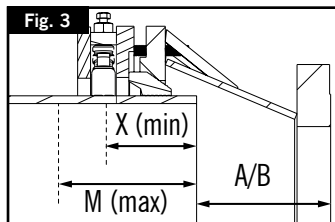
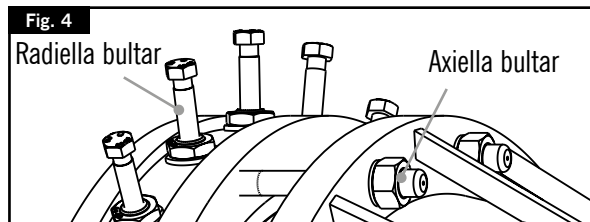
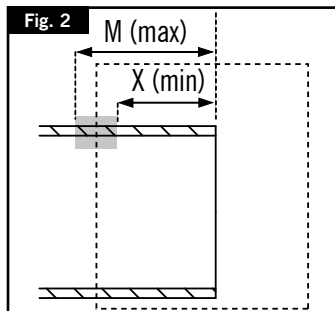
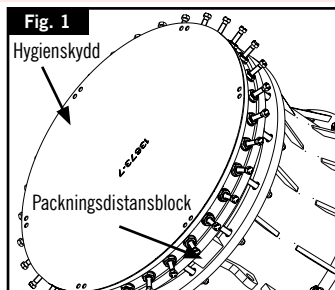
Dessa instruktioner gäller UltraGrips sortiment av flänsadaptrar för användning på de rörmaterial som anges i tabellen. UltraGrip levereras färdigmonterad för användning som ändhuv (dragsäker) och bör inte demonteras före installation, såvida den inte ska användas som en flexibel (ej dragsäker) produkt, varvid gripbultarna inte ska dras åt.

Anläggningsens testtryck = 1.5 gånger arbetstrycket

Tjocka rörbeläggningar och röriklädnader måste alltid avlägsnas.

Rörledningar ovan mark utsätts för både belastningar från det inre trycket och från temperaturförändringar/termisk expansion, vilket kan vara betydligt högre än från det inre trycket och kan inte alltid bestämmas på ett säkert sätt. UltraGrip kan användas i applikationer ovan jord där den inte utsätts för direkt solljus och ligger inom temperaturintervallet 40°C (mellan -20°C och +60°C).

*110-120 vridmoment för gjutjärnsrör förutsätter att gjutjärnet har en väggjocklek på 32 mm och är i ett skick där den strukturella styrkan inte har åventyrats. För gjutjärnsrör med tunnare väggar, vänligen kontakta Viking Johnson för rekommenderat bultmoment.



ULTRAGRIP FLÄNSADAPTRAR PN16 DN700 TILL DN800



Installationsanvisningar

1. Kontrollera att rörmaterial och rörstorleken passar till UltraGrip-flänsadaptern. För PE & MOPVC använd alltid en stödhylsa. (se sidor 36-37)
2. Undersök rörens ändrar och se till att rörytorna är rena och fria från repor, grader, rost eller andra föroreningar eller ytdefekter som kan påverka passformen. Svetssömmar måste slipas ned för att förbättra ytprofilen. Tjocka röreläggningar och rörinklånader måste alltid avlägsnas. UltraGrip måste monteras antingen direkt på den obelagda rörytan eller på ett tunt färgskikt.
3. **Varning för risk:** Lyftgöglor, där sådana finns, är konstruerade/provade för att endast lyfta de komponenter som de är fästa vid. Underlåtenhet att följa dessa anvisningar kan leda till allvarliga personskador eller dödsfall eller materiella skador.

Se till att du är utbildad, kompetent och förtrogen med den lyftanordning och de tillbehör som ska användas. Se till att rätt utrustning används och att den är märkt med WLL (Working Load Limit) eller att det finns tabeller för att bestämma WLL. Säkerställ att du utför en visuell inspektion av lyftutrustningen och tillbehören innan du fortsätter med lyftet, kassera defekt utrustning. Säkerställ att arbetet utförs inom utrustningens WLL.

Använd inte utrustning som är felaktig och använd den inte utanför WLL. Den måste kontrolleras av en behörig kontrollingenjör och omcertifieras. Utför endast sling- och kranmannuppgifter om du är kompetent och har fått utbildning. Detta måste tillhandahållas av en godkänd utbildningsleverantör. Gå aldrig under eller sväng en last över en person.

4. Alla UltraGrip-flänsadapter har hygienskydd (som består av biologiskt nedbrytbara buntband och biologiskt nedbrytbar vattenbeständig kartong) för att förhindra kontaminering. Detta skydd måste avlägsnas före montering (Fig 1). Packningsdistanblock (Fig 1) bör INTE avlägsnas i detta skede.
5. För att säkerställa korrekt installation, markera minsta och största rörinföringsdjup enligt tabell 1 runt hela omkretsen av båda rörändarna enligt Fig 2.
6. Skjut på UltraGrip-flänsadaptern på röränden. Justera röret och UltraGrip-flänsadaptern med motflänsen, montera flänspackningen (Viking Johnson rekommenderar en IBC-packning för optimal tätning) samt flänskopplingsbultarna. Se till att röret sätts in till ett djup mellan X (min) och M (max) enligt Fig 3 med hjälp av djupen från tabell 1. Justera vid behov. Dra åt flänskopplingsbultarna med hjälp av standardmetoden. När den mekaniska kopplingen är installerad på ett rakt rör. Produktens ände ska ligga mellan markeringarna för minsta och maximala installationsdjup X (min) och M (max) (se tabell 1).
7. Alla UltraGrip-flänsadapter har packningsdistanblock (Fig.1) som förhindrar att slutringarna kollapsar under transport. Detta måste avlägsnas före montering vid detta skede.
8. Dra åt diametralt motsatta muttrar på de axiella fästelementen enligt Fig 4. Vrid varje mutter ett eller två varv åt gången för att dra upp slutringen jämnt. Alla muttrar måste dras åt så många gånger som krävs för att uppnå erforderligt vridmoment (se tabell 1). Vid slutförandet ska det finnas ett jämnt radiellt mellanrum mellan röret och kopplingens slutring, där hela M (max)-linjen är synlig och ingen del av X (min)-linjen är synlig.
9. Besluta nu vilken slags anslutning som krävs: DRAGSÄKER ELLER ICKE DRAGSÄKER
 - a. **DRAGSÄKER** - Vid användning som dragsäker typ, dra åt diametralt motsatta bultar av de radiella fästelementen enligt Fig 4, och vrid varje bult ett eller två varv åt gången för att griplorna ska gripa in jämnt. Alla bultar måste dras åt så många gånger som krävs för att uppnå erforderligt vridmoment (se tabell 1).
 - b. **ICKE DRAGSÄKER** - När de radiella fästelementen används som icke dragsäkra fästelement får de inte dras åt. När UltraGrip installeras som en flexibel (icke dragsäker) produkt förhindrar den inte att röret dras ut och ett lämpligt externt stöd måste finnas.



ULTRAGRIP FLÄNSADAPTRAR PN10 DN700 TILL DN800

Rörmaterial, installationsdjup och bultdiametrar för UltraGrip-produkter

Tabell 3.

Nominell storlek	YD Intervall (mm)	Fläns nom storlek	Axiellt fäste		Radiellt fäste				Inställningsavstånd (mm)		Insättningsdjup (mm)		Tryckklassning för vatten		
			Pinnbult storlek	Rekommenderat bultvridmoment (Nm) för alla material	Bultstorlek	Rekommenderat bultvridmoment (Nm) för segjärn	Rekommenderat bultvridmoment (Nm) för PE	Rekommenderat bultvridmoment (Nm) för stål och gjutjärn*	Rekommenderat bultvridmoment (Nm) för MOPVC	A (min)	B (max)	X (min)	M (max)	Produkt med dragsäkerhet	Produkt med flexibilitet
DN700	700-735	600	M20	190-210	M16	175-185	140-150	110-120	95-105	550	575	220	245	10 bar	
DN700	700-735	700	M20	190-210	M16	175-185	140-150	110-120	95-105	265	290	220	245	10 bar	
DN700	727-762	700	M20	190-210	M16	175-185	140-150	110-120	95-105	265	290	220	245	10 bar	
DN700	750-785	700	M20	190-210	M16	175-185	140-150	110-120	95-105	265	290	220	245	10 bar	
DN800	789-824	700	M20	190-210	M16	175-185	140-150	110-120	95-105	415	440	220	245	10 bar	
DN800	789-824	800	M20	190-210	M16	175-185	140-150	110-120	95-105	270	295	220	245	10 bar	
DN800	825-860	800	M20	190-210	M16	175-185	140-150	110-120	95-105	270	295	220	245	10 bar	
DN800	853-888	800	M20	190-210	M16	175-185	140-150	110-120	95-105	270	295	220	245	10 bar	

WARNING: Om momentkraven för olika rörmaterial inte följs kan det leda till rörglidning, och / eller rörskador.

Tabell 4.

Rörmaterial	Dragsäker	Icke dragsäker	Stödhylsa krävs
Stål	✓	✓	
Segjärn	✓	✓	
Gjutjärn	✓	✓	
MOPVC	✓	✓	✓
PE100	✓	✓	✓
PE Barriär rör	✗	✗	
Asbestcement	✗	✓	

Noteringar

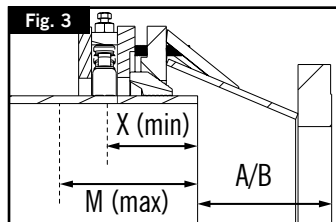
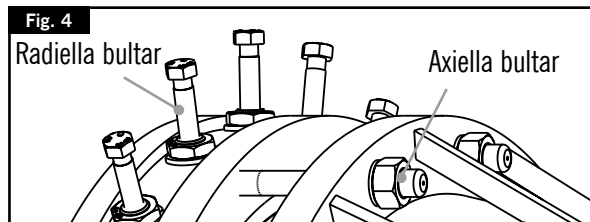
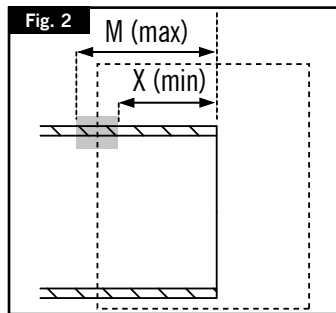
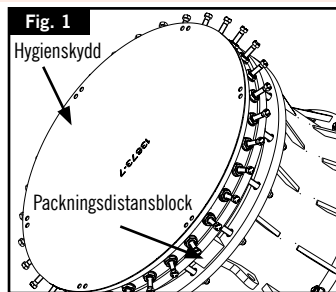
Dessa instruktioner gäller UltraGrips sortiment av flänsadaptrar för användning på de rörmaterial som anges i tabellen. UltraGrip levereras färdigmonterad för användning som ändhuv (dragsäker) och bör inte demonteras före installation, såvida den inte ska användas som en flexibel (ej dragsäker) produkt, varvid gripbultarna inte ska dras åt.

Anläggningsens testtryck = 1.5 gånger arbetstrycket

Tjocka rörbeläggningar och röriklädnader måste alltid avlägsnas.

Rörledningar ovan mark utsätts för både belastningar från det inre trycket och från temperaturförändringar/termisk expansion, vilket kan vara betydligt högre än från det inre trycket och kan inte alltid bestämmas på ett säkert sätt. UltraGrip kan användas i applikationer ovan jord där den inte utsätts för direkt solljus och ligger inom temperaturintervallet 40°C (mellan -20°C och +60°C).

*110-120 vridmoment för gjutjärnsrör förutsätter att gjutjärnet har en väggjocklek på 32 mm och är i ett skick där den strukturella styrkan inte har åventyrats. För gjutjärnsrör med tunnare väggar, vänligen kontakta Viking Johnson för rekommenderat bultmoment.



ULTRAGRIP FLÄNSADAPTRAR PN10 DN700 TILL DN800



Installationsanvisningar

1. Kontrollera att rörmaterial och rörstorleken passar till UltraGrip-flänsadaptern. För PE & MOPVC använd alltid en stödhylsa. (se sidor 36-37)
2. Undersök rörens ändrar och se till att rörytorna är rena och fria från repor, grader, rost eller andra föroreningar eller ytdefekter som kan påverka passformen. Svetssömmar måste slipas ned för att förbättra ytprofilen. Tjocka röreläggningar och rörinklånader måste alltid avlägsnas. UltraGrip måste monteras antingen direkt på den obelagda rörytan eller på ett tunt färgskikt.
3. **Varning för risk:** Lyftgöglor, där sådana finns, är konstruerade/provade för att endast lyfta de komponenter som de är fästa vid. Underlåtenhet att följa dessa anvisningar kan leda till allvarliga personskador eller dödsfall eller materiella skador.

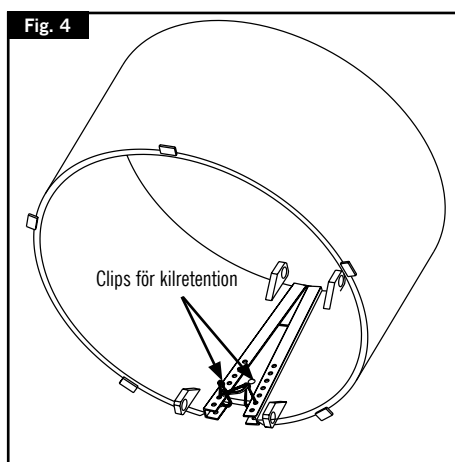
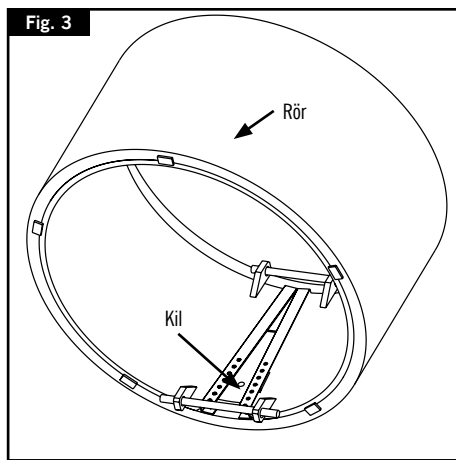
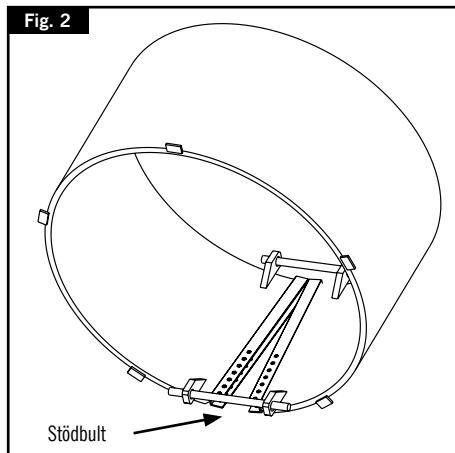
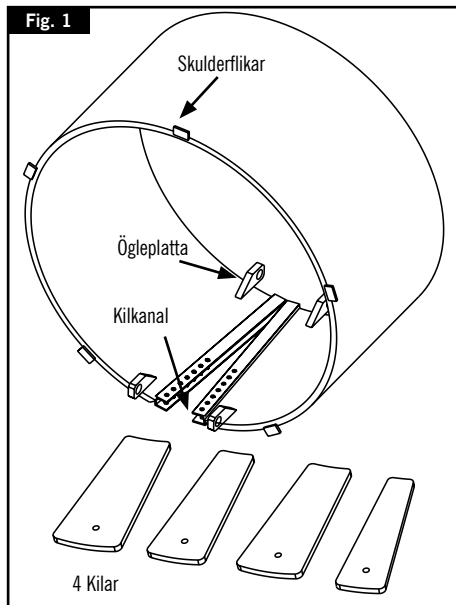
Se till att du är utbildad, kompetent och förtrogen med den lyftanordning och de tillbehör som ska användas. Se till att rätt utrustning används och att den är märkt med WLL (Working Load Limit) eller att det finns tabeller för att bestämma WLL. Säkerställ att du utför en visuell inspektion av lyftutrustningen och tillbehören innan du fortsätter med lyftet, kassera defekt utrustning. Säkerställ att arbetet utförs inom utrustningens WLL.

Använd inte utrustning som är felaktig och använd den inte utanför WLL. Den måste kontrolleras av en behörig kontrollingenjör och omcertifieras. Utför endast sling- och kranmannuppgifter om du är kompetent och har fått utbildning. Detta måste tillhandahållas av en godkänd utbildningsleverantör. Gå aldrig under eller sväng en last över en person.

4. Alla UltraGrip-flänsadapter har hygienskydd (som består av biologiskt nedbrytbara buntband och biologiskt nedbrytbar vattenbeständig kartong) för att förhindra kontaminering. Detta skydd måste avlägsnas före montering (Fig 1). Packningsdistanblock (Fig 1) bör INTE avlägsnas i detta skede.
5. För att säkerställa korrekt installation, markera minsta och största rörinföringsdjup enligt tabell 3 runt hela omkretsen av båda rörändarna enligt Fig 2.
6. Skjut på UltraGrip-flänsadaptern på röränden. Justera röret och UltraGrip-flänsadaptern med motflänsen, montera flänspackningen (Viking Johnson rekommenderar en IBC-packning för optimal tätning) samt flänskopplingsbultarna. Se till att röret sätts in till ett djup mellan X (min) och M (max) enligt Fig 3 med hjälp av djupen från tabell 3. Justera vid behov. Dra åt flänskopplingsbultarna med hjälp av standardmetoden. När den mekaniska kopplingen är installerad på ett rakt rör. Produktens ände ska ligga mellan markeringarna för minsta och maximala installationsdjup X (min) och M (max) (se tabell 3).
7. Alla UltraGrip-flänsadapter har packningsdistanblock (Fig.1) som förhindrar att slutringarna kollapsar under transport. Detta måste avlägsnas före montering vid detta skede.
8. Dra åt diametralt motsatta muttrar på de axiella fästelementen enligt Fig 4. Vrid varje mutter ett eller två varv åt gången för att dra upp slutringen jämnt. Alla muttrar måste dras åt så många gånger som krävs för att uppnå erforderligt vridmoment (se tabell 3). Vid slutförandet ska det finnas ett jämnt radiellt mellanrum mellan röret och kopplingens slutring, där hela M (max)-linjen är synlig och ingen del av X (min)-linjen är synlig.
9. Besluta nu vilken slags anslutning som krävs: DRAGSÄKER ELLER ICKE DRAGSÄKER
 - a. **DRAGSÄKER** - Vid användning som dragsäker typ, dra åt diametralt motsatta bultar av de radiella fästelementen enligt Fig 4, och vrid varje bult ett eller två varv åt gången för att griplorna ska gripa in jämnt. Alla bultar måste dras åt så många gånger som krävs för att uppnå erforderligt vridmoment (se tabell 3).
 - b. **ICKE DRAGSÄKER** - När de radiella fästelementen används som icke dragsäkra fästelement får de inte dras åt. När UltraGrip installeras som en flexibel (icke dragsäker) produkt förhindrar den inte att röret dras ut och ett lämpligt externt stöd måste finnas.



ULTRAGRIP RILSAN-BELAGDA STÖDHYSOR AV MJUKT STÅL FÖR PE OCH MOPVC AV STORLEKAR DN700 TILL DN800



ULTRAGRIP RILSAN-BELAGDA STÖDHYLSOR AV MJUKT STÅL FÖR PE OCH MOPVC AV STORLEKAR DN700 TILL DN800



Installationsanvisningar

1. Kontrollera att stödhylsan och kilarna är lämpliga för rörets YD och vägg tjocklek.
2. Mät rörets diameter och välj rätt kil från de medföljande 4 uppsättningarna (se tabell 5 för PE och MOPVC).
3. För in hylsan i rörets hål tills skulderflikarna ligger an mot röränden.
4. Montera lämplig stödbult genom ögleplattan i hylsan (Fig 2).
5. Använd muttrarna på bultarna för att expandera hylsan tills den kommer i kontakt med rörhålet.
6. För in lämplig kil i hylsans kanal.
7. Tryck på kilen tills hylsan är helt expanderad mot rörets hål.(Fig 3)
8. Kläm fast clipsen för kilretention i kanalhålen närmast kilens ände för att förhindra att kilen glider ut.
9. När de två clipsen har satts in använder du ett tredje clips för att låsa ihop alla clipsen. (Fig 4)
10. Lossa muttrarna på stödbultarna och ta bort stödbultarna och muttrarna.

WARNING: Om beläggningen på kilen eller hylsan skadas kommer produkten att rosta; extra försiktighet måste iakttas när kilarna sätts in i hylsan för att undvika att beläggningen skadas.

Tabell 5.

Rörkod	Rörstorlek (mm)	Rör-OD		Rör-ID		Kil 1				Kil 2				Kil 3				Kil 4			
		Min (mm)	Max (mm)	Min (mm)	Max (mm)	Min ID (mm)	Max ID (mm)	Kort kant (mm)	Lång kant (mm)	Min ID (mm)	Max ID (mm)	Kort kant (mm)	Lång kant (mm)	Min ID (mm)	Max ID (mm)	Kort kant (mm)	Lång kant (mm)	Min ID (mm)	Max ID (mm)	Kort kant (mm)	Lång kant (mm)
PE stödhylsor																					
710-SDR11	710	710	716.4	567	587	555	565	50	100	566	571	85	135	572	582	103	153	583	587	120	170
710-SDR17	710	710	716.4	618	633	610	617	50	100	618	621	76	126	622	629	89	139	630	633	102	152
710-SDR21	710	710	716.4	635	649	626	633	50	100	634	641	76	126	642	645	89	139	646	649	102	152
710-SDR26	710	710	716.4	650	662	642	648	50	100	649	652	72	122	653	655	83	133	656	662	94	144
800-SDR11	800	800	807.2	640	662	627	638	50	100	639	644	88	138	645	656	107	157	657	661	126	176
800-SDR17	800	800	807.2	696	713	687	695	50	100	696	700	79	129	701	709	94	144	710	713	108	158
800-SDR21	800	800	807.2	716	731	708	715	50	100	716	723	76	126	724	727	89	139	728	731	102	152
800-SDR26	800	800	807.2	732	746	723	730	50	100	731	734	76	126	735	738	89	139	739	746	102	152
MOPVC stödhylsor																					
710-SDR33	710	710	712	662	668	656	661	50	100	662	664	88	138	665	670	79	129	671	673	126	176
800-SDR33	800	800	802	746	753	739	745	50	100	746	749	72	122	750	756	83	133	757	759	102	152



PŘÍRUBOVÉ ADAPTÉRY ULTRAGRIP PN16 DN700 AŽ DN800

Materiály potrubí, hloubky vsunutí a průměry šroubů pro výroby UltraGrip

Tabulka 1.

Jmenovitá světlost	Rozsah vnějších průměrů (mm)	Jmenovitá velikost příruby	Axiální spojovací prvek		Radiální spojovací prvek				Mezera při usazování (mm)		Hloubka vsunutí (mm)		Jmenovitý tlak pro vodu		
			Velikost závrtného šroubu	Doporučený uťahovací moment šroubů (Nm) pro všechny materiály	Velikost šroubu	Doporučený uťahovací moment šroubů (Nm) pro tvárnou litinu	Doporučený uťahovací moment šroubů (Nm) pro PE	Doporučený uťahovací moment šroubů (Nm) pro ocel a šedou litinu*	Doporučený uťahovací moment šroubů (Nm) pro MOPVC	A (min.)	B (max.)	X (min.)	M (max.)	Jistěný výrobek	Nejistěný výrobek
DN700	700-735	600	M20	190-210	M16	175-185	140-150	110-120	95-105	475	500	220	245	16 bar	
DN700	700-735	700	M20	190-210	M16	175-185	140-150	110-120	95-105	275	300	220	245	16 bar	
DN700	727-762	700	M20	190-210	M16	175-185	140-150	110-120	95-105	275	300	220	245	16 bar	
DN700	750-785	700	M20	190-210	M16	175-185	140-150	110-120	95-105	275	300	220	245	16 bar	
DN800	789-824	700	M20	190-210	M16	175-185	140-150	110-120	95-105	525	550	220	245	16 bar	
DN800	789-824	800	M20	190-210	M16	175-185	140-150	110-120	95-105	290	315	220	245	16 bar	
DN800	825-860	800	M20	190-210	M16	175-185	140-150	110-120	95-105	290	315	220	245	16 bar	
DN800	853-888	800	M20	190-210	M16	175-185	140-150	110-120	95-105	290	315	220	245	16 bar	

VAROVÁNÍ: Nedodržení požadavků k uťahovací moment pro různé materiály potrubí může mít za následek prokluzování a/nebo poškození potrubí.

Tabulka 2.

Materiály potrubí	Jistěný	Nejistěný	Nutná vnitřní výztuha
Ocel	✓	✓	
Tvárná litina	✓	✓	
Šedá litina	✓	✓	
MOPVC	✓	✓	✓
PE100	✓	✓	✓
PE bariérové potrubí	✗	✗	
Azbestocement	✗	✓	

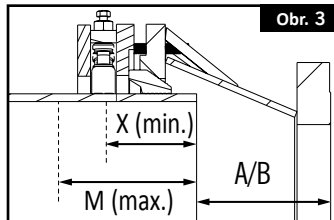
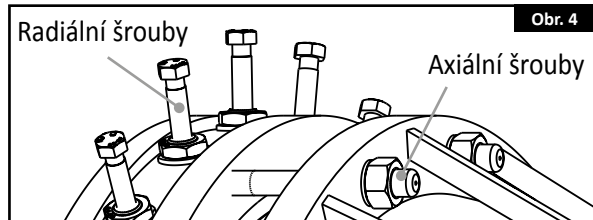
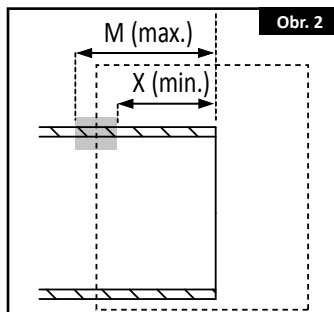
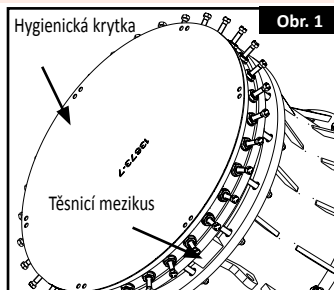
Poznámky

Tento návod se vztahuje k řadě přírubových adaptérů UltraGrip pro použití na potrubních materiálech zmíněných v tabulce. UltraGrip je dodáván v Ině smontovaném stavu jako koncové jistěný (proti vsunutí potrubí) výrobek a není jej nutno před montáží demontovat, pokud nebude použit jako nejistěný, v tomto případě se jističí šrouby neutahují.

Tlaková zkouška – 1,5 násobek pracovního tlaku
Silná vrstva nátěru a ochranné zabalení potrubí musí být vždy odstraněny.

Nadzemní nekrytá potrubí jsou předmětem působení tahových sil, které pochází jak z vnitřního pracovního tlaku, tak těch, které jsou způsobeny teplotními změnami / tepelnou roztažností - ty však mohou být podstatně vyšší, než ty, které pochází z vnitřního pracovního tlaku a nemohou být vždy bezpečně definovány. Systém UltraGrip lze použít v nadzemních aplikacích, kde není vystaven přímému slunečnímu záření a kde rozsah provozní teploty odpovídá 40 stupňům (mezi -20 a +60).

*Uťahovací moment 110-120 litinového potrubí předpokládá, že litina má tloušťku stěny 32 mm a je ve stavu, kdy není narušena její strukturální pevnost. V případě tenkostěnného litinového potrubí se obraťte na společnost Viking Johnson, aby vám sdělila doporučený uťahovací moment šroubů.



PŘÍRUBOVÉ ADAPTÉRY ULTRAGRIP PN16 DN700 AŽ DN800



Montážní návod

1. Zkontrolujte, zda materiál a velikost potrubí odpovídají přírubovému adaptéru UltraGrip. V případě PE MOPVC potrubí vždy použijte vnitřní výztuhu. (Viz strany 42–43)
2. Prohlédněte konce potrubí a zajistěte, že povrch potrubí je čistý a zbavený značek, šupin, koroze a dalších volných nečistot nebo jiných povrchových vad, který by mohly ovlivnit účinnost výrobku. Navařené obruby musí být odbroušeny při zajištění správného profilu potrubí. Silná vrstva nátěru nebo zabalení potrubí musí být vždy odstraněny. UltraGrip musí dosednout buď na čistý povrch potrubí, nebo na tenkou vrstvu barvy.
3. **Varování před nebezpečím:** Zvedací oka, pokud jsou k dispozici, jsou navržena/zkoušena pouze pro zvedání výrobku, ke kterému jsou připevněná. Nedodržení těchto pokynů může mít za následek vážné zranění, smrt nebo škody na majetku.

Ujistěte se, že jste vyškoleni, kompetentní a obeznámeni s používaným zdvihacím zařízením a příslušenstvím. Ujistěte se, že je použito správné zařízení, na kterém je uvedeno maximální zatížení, nebo jsou k dispozici tabulky pro stanovení maximálního zatížení. Před zahájením zdvihání zkontrolujte vizuálně zdvihací zařízení a příslušenství a vadně vybavení vyřadte. Ujistěte se, že zatížení je nižší než maximální zatížení pro dané zařízení. Nepoužívejte zařízení, které je vadné, ani ho nepoužívejte nad rámec maximálního zatížení. Musí být zkontrolováno kompetentním revizním technikem a znovu certifikováno. Povinnosti vazače během a signalisty vykonávejte pouze v případě, že jste k tomu kompetentní a vyškolení. To musí být zajištěno uznávaným poskytovatelem školení. Nikdy pod břemenem nechodte ani břemeno nesměřujte nad jinou osobu.

4. Všechny přírubové adaptéry UltraGrip jsou vybaveny ochrannými hygienickými krytkami (které se skládají z biologicky rozložitelných stahovacích pásků a biologicky rozložitelné voděodolné lepenky), které zabraňují znečištění. Ty je nutné odstranit ještě před montáží (Obr. 1). Těsnící mezikus (Obr. 1) byste v tuto chvíli NEMĚLI odstraňovat.
5. Pro zajištění správné instalace vyznačte po celém obvodu obou konců potrubí minimální a maximální hloubky vsunutí potrubí získané z Tabulky 1, jak je znázorněno na Obr. 2.
6. Nasuňte přírubový adaptér UltraGrip na konec potrubí. Vyrovnajte potrubí a přírubový adaptér UltraGrip s protipřírubou, nasadte přírubové těsnění (společnost Viking Johnson doporučuje použít těsnění IBC pro optimální utěsnění) a šrouby ke spojení přírub. Ujistěte se, že je potrubí zasunuto do hloubky získané z Tabulky 1 umístěte potrubí na pozici, tak aby vyhovovaly vzdálenosti mezi X (min) a M (max), jak je znázorněno na Obr. 3. – v případě potřeby upravte. Utáhněte šrouby ke spojení přírub s využitím standardního postupu. Pokud je mechanické šroubení instalováno na potrubí s hladkým koncem. Konec výrobku by měl být usazen mezi minimální a maximální hloubkou zasunutí X (min) a M (max) (viz Tabulku 1).
7. Všechny přírubové adaptéry UltraGrip obsahují těsnící mezikusy (Obr. 1), které zabraňují zborcení koncových prstenců při přepravě. Ty je nutné v tuto chvíli před montáží odstranit.
8. Utáhněte protilehlé matice axiálních spojovacích prvků podle Obr. 4 vždy o jedno až dvě pootočení tak, aby koncový prsteneček rovnoměrně dosedl. Matice musí být utahovány tolikrát, kolikrát bude nezbytné k dosažení požadovaného utahovacího momentu (viz Tabulku 1). Po dokončení musí být rovnoměrná radiální mezera mezi potrubím a koncovým prstencem spojky tak, že bude zcela viditelné označení M(max) a zcela skryté označení X (min).
9. Nyní se rozhodněte, jaký typ spojení je požadován: JIŠTĚNÝ nebo NEJIŠTĚNÝ:
 - a. **JIŠTĚNÝ** – Když je použit jako jištěný, utáhněte protilehlé šrouby radiálních spojovacích prvků podle Obr. 4 vždy o jedno až dvě pootočení tak, aby se jisticí prvky rovnoměrně aktivovaly. Šrouby musí být utahovány tolikrát, kolikrát bude nezbytné k dosažení požadovaného utahovacího momentu (viz Tabulku 1).
 - b. **NEJIŠTĚNÝ** – Když je použit jako nejištěný, radiální spojovací prvky nesmí být utahovány. Pokud je UltraGrip instalován jako nejištěný výrobek, nebude bránit vytažení potrubí a je třeba zajistit odpovídající vnější zajištění.



PŘÍRUBOVÉ ADAPTÉRY ULTRAGRIP PN10 DN700 AŽ DN800

Materiály potrubí, hloubky vsunutí a průměry šroubů pro výroby UltraGrip

Tabulka 3.

Jmenovitá světlost	Rozsah vnějších průměrů (mm)	Jmenovitá velikost příruby	Axiální spojovací prvek		Radiální spojovací prvek				Mezera při usazování (mm)		Hloubka vsunutí (mm)		Jmenovitý tlak pro vodu		
			Velikost závrtného šroubu	Doporučený uťahovací moment šroubů (Nm) pro všechny materiály	Velikost šroubu	Doporučený uťahovací moment šroubů (Nm) pro tvárnou litinu	Doporučený uťahovací moment šroubů (Nm) pro PE	Doporučený uťahovací moment šroubů (Nm) pro ocel a šedou litinu*	Doporučený uťahovací moment šroubů (Nm) pro MOPVC	A (min.)	B (max.)	X (min.)	M (max.)	Jistěný výrobek	Nejistěný výrobek
DN700	700-735	600	M20	190-210	M16	175-185	140-150	110-120	95-105	550	575	220	245	10 bar	
DN700	700-735	700	M20	190-210	M16	175-185	140-150	110-120	95-105	265	290	220	245	10 bar	
DN700	727-762	700	M20	190-210	M16	175-185	140-150	110-120	95-105	265	290	220	245	10 bar	
DN700	750-785	700	M20	190-210	M16	175-185	140-150	110-120	95-105	265	290	220	245	10 bar	
DN800	789-824	700	M20	190-210	M16	175-185	140-150	110-120	95-105	415	440	220	245	10 bar	
DN800	789-824	800	M20	190-210	M16	175-185	140-150	110-120	95-105	270	295	220	245	10 bar	
DN800	825-860	800	M20	190-210	M16	175-185	140-150	110-120	95-105	270	295	220	245	10 bar	
DN800	853-888	800	M20	190-210	M16	175-185	140-150	110-120	95-105	270	295	220	245	10 bar	

VAROVÁNÍ: Nedodržení požadavků k uťahovací moment pro různé materiály potrubí může mít za následek prokluzování a/nebo poškození potrubí.

Tabulka 4.

Materiály potrubí	Jistěný	Nejistěný	Nutná vnitřní výztuha
Ocel	✓	✓	
Tvárná litina	✓	✓	
Šedá litina	✓	✓	
MOPVC	✓	✓	✓
PE100	✓	✓	✓
PE bariérové potrubí	✗	✗	
Azbestocement	✗	✓	

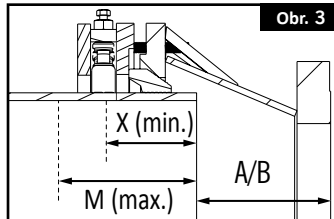
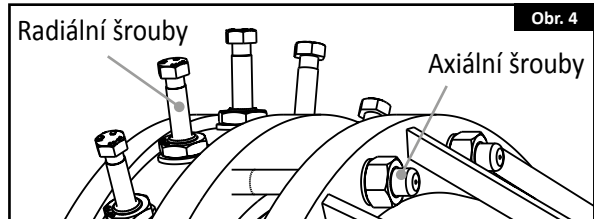
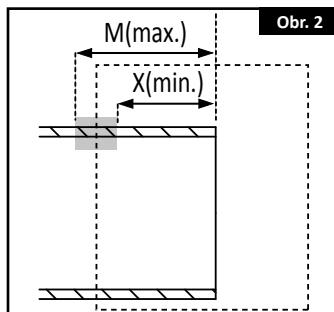
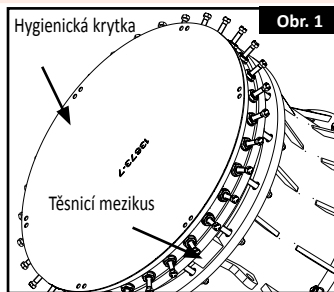
Poznámky

Tento návod se vztahuje k řadě přírubových adaptérů UltraGrip pro použití na potrubních materiálech zmíněných v tabulce. UltraGrip je dodáván v Ině smontovaném stavu jako koncové jistěný (proti vsunutí potrubí) výrobek a není jej nutno před montáží demontovat, pokud nebude použito jako nejistěný, v tomto případě se jističí šrouby neutahují.

Tlaková zkouška – 1,5 násobek pracovního tlaku
Silná vrstva nátěru a ochranné zabalení potrubí musí být vždy odstraněny.

Nadzemní nekrytá potrubí jsou předmětem působení tahových sil, které pochází jak z vnitřního pracovního tlaku, tak těch, které jsou způsobeny teplotními změnami / tepelnou roztažností - ty však mohou být podstatně vyšší, než ty, které pochází z vnitřního pracovního tlaku a nemohou být vždy bezpečně definovány. Systém UltraGrip lze použít v nadzemních aplikacích, kde není vystaven přímému slunečnímu záření a kde rozsah provozní teploty odpovídá 40 stupňům (mezi -20 a +60).

* Uťahovací moment 110-120 litinového potrubí předpokládá, že litina má tloušťku stěny 32 mm a je ve stavu, kdy není narušena její strukturální pevnost. V případě tenkostěnného litinového potrubí se obraťte na společnost Viking Johnson, aby vám sdělila doporučený uťahovací moment šroubů.



PŘÍRUBOVÉ ADAPTÉRY ULTRAGRIP PN10 DN700 AŽ DN800



Montážní návod

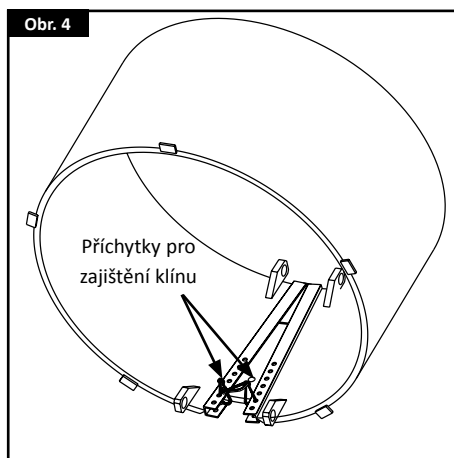
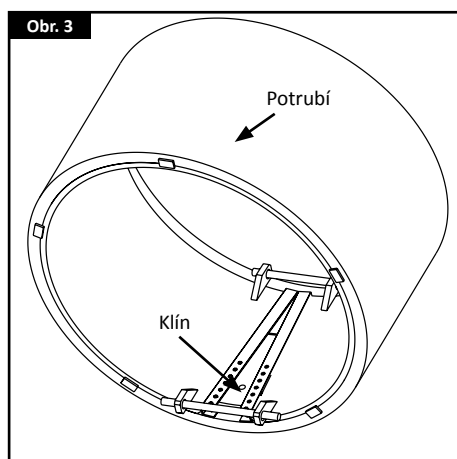
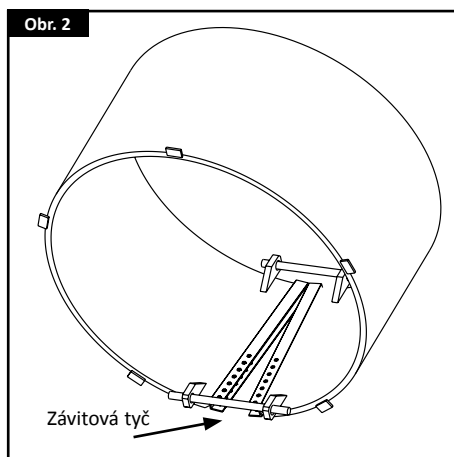
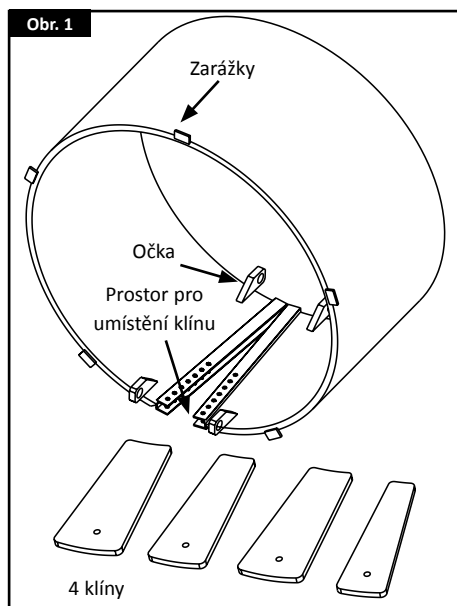
1. Zkontrolujte, zda materiál a velikost potrubí odpovídají přírubovému adaptéru UltraGrip. V případě PE MOPVC potrubí vždy použijte vnitřní výztuhu. (Viz strany 42–43)
2. Prohlédněte konce potrubí a zajistěte, že povrch potrubí je čistý a zbavený značek, šupin, koroze a dalších volných nečistot nebo jiných povrchových vad, který by mohly ovlivnit účinnost výrobku. Navařené obruby musí být odbroušeny při zajištění správného profilu potrubí. Silná vrstva nátěru nebo zabalení potrubí musí být vždy odstraněny. UltraGrip musí dosednout buď na čistý povrch potrubí, nebo na tenkou vrstvu barvy.
3. **Varování před nebezpečím:** Zvedací oka, pokud jsou k dispozici, jsou navržena/zkoušena pouze pro zvedání výrobku, ke kterému jsou připevněná. Nedodržení těchto pokynů může mít za následek vážné zranění, smrt nebo škody na majetku.

Ujistěte se, že jste vyškoleni, kompetentní a obeznámeni s používaným zdvihacím zařízením a příslušenstvím. Ujistěte se, že je použito správné zařízení, na kterém je uvedeno maximální zatížení, nebo jsou k dispozici tabulky pro stanovení maximálního zatížení. Před zahájením zdvihání zkontrolujte vizuálně zdvihací zařízení a příslušenství a vadně vybavení vyřaďte. Ujistěte se, že zatížení je nižší než maximální zatížení pro dané zařízení. Nepoužívejte zařízení, které je vadné, ani ho nepoužívejte nad rámec maximálního zatížení. Musí být zkontrolováno kompetentním revizním technikem a znovu certifikováno. Povinnosti vazače během a signalisty vykonávejte pouze v případě, že jste k tomu kompetentní a vyškolení. To musí být zajištěno uznávaným poskytovatelem školení. Nikdy pod břemenem nechodte ani břemeno nesměřujte nad jinou osobu.

4. Všechny přírubové adaptéry UltraGrip jsou vybaveny ochrannými hygienickými krytkami (které se skládají z biologicky rozložitelných stahovacích pásků a biologicky rozložitelné voděodolné lepenky), které zabraňují znečištění. Ty je nutné odstranit ještě před montáží (Obr. 1). Těsnící mezikus (Obr. 1) byste v tuto chvíli **NEMĚLI** odstraňovat.
5. Pro zajištění správné instalace vyznačte po celém obvodu obou konců potrubí minimální a maximální hloubky vsunutí potrubí získané z Tabulky 3, jak je znázorněno na Obr. 2.
6. Nasuňte přírubový adaptér UltraGrip na konec potrubí. Vyrovnajte potrubí a přírubový adaptér UltraGrip s protipřírubou, nasadte přírubové těsnění (společnost Viking Johnson doporučuje použít těsnění IBC pro optimální utěsnění) a šrouby ke spojení přírub. Ujistěte se, že je potrubí zasunuto do hloubky získané z Tabulky 3 umístěte potrubí na pozici, tak aby vyhovovaly vzdálenosti mezi X (min) a M (max), jak je znázorněno na Obr. 3. – v případě potřeby upravte. Utáhněte šrouby ke spojení přírub s využitím standardního postupu. Pokud je mechanické šroubení instalováno na potrubí s hladkým koncem. Konec výrobku by měl být usazen mezi minimální a maximální hloubkou zasunutí X (min) a M (max) (viz Tabulku 3).
7. Všechny přírubové adaptéry UltraGrip obsahují těsnící mezikusy (Obr. 1), které zabraňují zborcení koncových prstenců při přepravě. Ty je nutné v tuto chvíli před montáží odstranit.
8. Utáhněte protilehlé matice axiálních spojovacích prvků podle Obr. 4 vždy o jedno až dvě pootočení tak, aby koncový prsteneček rovnoměrně dosedl. Matice musí být utahovány tolikrát, kolikrát bude nezbytné k dosažení požadovaného utahovacího momentu (viz Tabulku 3). Po dokončení musí být rovnoměrná radiální mezera mezi potrubím a koncovým prstencem spojky tak, že bude zcela viditelné označení M (max) a zcela skryté označení X (min).
9. Nyní se rozhodněte, jaký typ spojení je požadován: **JISTĚNÝ** nebo **NEJISTĚNÝ**:
 - a. **JISTĚNÝ** – Když je použit jako jistěný, utáhněte protilehlé šrouby radiálních spojovacích prvků podle Obr. 4 vždy o jedno až dvě pootočení tak, aby se jisticí prvky rovnoměrně aktivovaly. Šrouby musí být utahovány tolikrát, kolikrát bude nezbytné k dosažení požadovaného utahovacího momentu (viz Tabulku 3).
 - b. **NEJISTĚNÝ** – Když je použit jako nejistěný, radiální spojovací prvky nesmí být utahovány. Pokud je UltraGrip instalován jako nejistěný výrobek, nebude bránit vytažení potrubí a je třeba zajistit odpovídající vnější zajištění.



VNITŘNÍ VÝZTUHY ULTRAGRIP Z MĚKKÉ OCELI S NÁTĚREM RILSAN PRO PE A MOPVC POTRUBÍ O SVĚTLOSTI DN700 AŽ DN800



VNITŘNÍ VÝZTUHY ULTRAGRIP Z MĚKKÉ OCELI S NÁTĚREM RILSAN PRO PE A MOPVC POTRUBÍ O SVĚTLOSTI DN700 AŽ DN800



Montážní návod

1. Zkontrolujte, zda jsou vnitřní výztuhy a klíny vhodné pro vnější průměr a tloušťku stěny potrubí.
2. Změřte světlost potrubí a vyberte správný klín ze sady 4 dodaných klínů (viz Tabulku 5 pro PE a MOPVC potrubí).
3. Vložte výztuhu do otvoru potrubí, dokud se zarážky nebudou dotýkat konce potrubí.
4. Provlékněte odpovídající závitovou tyč skrz očka na výztuze (Obr. 2).
5. Pomocí matic na závitové tyči roztáhněte výztuhu tak, aby se dotýkala potrubí.
6. Vložte odpovídající klín do prostoru pro umístění klínu ve výztuze.
7. Zatloukejte klín, dokud nebude výztuha zcela roztažená podél celého vnitřního průměru potrubí (Obr. 3)
8. V otvorech kanálu, které jsou nejbližší konci klínu zacvakněte příchytky pro zajištění klínu, abyste zabránili jeho vysunutí.
9. Po zacvaknutí dvou příchytkek použijte třetí příchytku, abyste všechny příchytky spojili dohromady. (Obr. 4)
10. Povolte matice na závitové tyči a závitovou tyč vyjměte společně s maticemi.

VAROVÁNÍ: Poškození klínu nebo nátěru výztuhy povede ke korozi výrobku; při vkládání klínů do výztuh je nutné dbát maximální opatrnosti, aby nedošlo k poškození nátěru.

Tabulka 5.

Kód potrubí	Velikost potrubí		Vnější průměr potrubí		Vnitřní průměr potrubí		Klín 1				Klín 2				Klín 3				Klín 4			
	(mm)		Min. (mm)	Max. (mm)	Min. (mm)	Max. (mm)	Min. vnitřní průměr (mm)	Max. vnitřní průměr (mm)	Krátký okraj (mm)	Dlouhý okraj (mm)	Min. vnitřní průměr (mm)	Max. vnitřní průměr (mm)	Krátký okraj (mm)	Dlouhý okraj (mm)	Min. vnitřní průměr (mm)	Max. vnitřní průměr (mm)	Krátký okraj (mm)	Dlouhý okraj (mm)	Min. vnitřní průměr (mm)	Max. vnitřní průměr (mm)	Krátký okraj (mm)	Dlouhý okraj (mm)
Vnitřní výztuhy pro PE potrubí																						
710-SDR11	710	710	716.4	567	587	555	565	50	100	566	571	85	135	572	582	103	153	583	587	120	170	
710-SDR17	710	710	716.4	618	633	610	617	50	100	618	621	76	126	622	629	89	139	630	633	102	152	
710-SDR21	710	710	716.4	635	649	626	633	50	100	634	641	76	126	642	645	89	139	646	649	102	152	
710-SDR26	710	710	716.4	650	662	642	648	50	100	649	652	72	122	653	655	83	133	656	662	94	144	
800-SDR11	800	800	807.2	640	662	627	638	50	100	639	644	88	138	645	656	107	157	657	661	126	176	
800-SDR17	800	800	807.2	696	713	687	695	50	100	696	700	79	129	701	709	94	144	710	713	108	158	
800-SDR21	800	800	807.2	716	731	708	715	50	100	716	723	76	126	724	727	89	139	728	731	102	152	
800-SDR26	800	800	807.2	732	746	723	730	50	100	731	734	76	126	735	738	89	139	739	746	102	152	
Vnitřní výztuhy pro MOPVC potrubí																						
710-SDR33	710	710	712	662	668	656	661	50	100	662	664	88	138	665	670	79	129	671	673	126	176	
800-SDR33	800	800	802	746	753	739	745	50	100	746	749	72	122	750	756	83	133	757	759	102	152	

ULTRAGRIP FLANŠ ADAPTERI PN16 DN700 – DN800

Materijali cevi, dubine ubacivanja i prečnici zavrtnja za UltraGrip proizvode

Tabela 1.

Nominalna veličina	Raspon spoljnog prečnika (mm)	Nominalna veličina priprubice	Aksijalni pričvršćivač		Radijalni pričvršćivač				Zazor (mm)		Dubina ubacivanja (mm)		Nominalni pritisak za vođu		
			Veličina navoja	Preporučeni obrtni moment zavrtnja (Nm) za svaki materijal	Veličina zavrtnja	Preporučeni obrtni moment zavrtnja (Nm) za nodularni liv	Preporučeni obrtni moment zavrtnja (Nm) za PE	Preporučeni obrtni moment zavrtnja (Nm) za čelik i liveno gvožđe*	Preporučeni obrtni moment zavrtnja (Nm) za MOPVC	A (min.)	B (maks.)	X (min.)	M (maks.)	Proizvod za stezanje	Fleksibilni proizvod
DN700	700-735	600	M20	190-210	M16	175-185	140-150	110-120	95-105	475	500	220	245	16 bar	
DN700	700-735	700	M20	190-210	M16	175-185	140-150	110-120	95-105	275	300	220	245	16 bar	
DN700	727-762	700	M20	190-210	M16	175-185	140-150	110-120	95-105	275	300	220	245	16 bar	
DN700	750-785	700	M20	190-210	M16	175-185	140-150	110-120	95-105	275	300	220	245	16 bar	
DN800	789-824	700	M20	190-210	M16	175-185	140-150	110-120	95-105	525	550	220	245	16 bar	
DN800	789-824	800	M20	190-210	M16	175-185	140-150	110-120	95-105	290	315	220	245	16 bar	
DN800	825-860	800	M20	190-210	M16	175-185	140-150	110-120	95-105	290	315	220	245	16 bar	
DN800	853-888	800	M20	190-210	M16	175-185	140-150	110-120	95-105	290	315	220	245	16 bar	

UPOZORENJE: Nepoštovanje zahteva obrtnog momenta za različite materijale cevi može dovesti do klizanja cevi i/ili oštećenja cevi.

Tabela 2.

Materijal cevi	Zatezanje	Bez zatezanja	Neophodan ojačavajući prsten
Čelik	✓	✓	
Nodularni liv	✓	✓	
Liveno gvožđe	✓	✓	
MOPVC	✓	✓	✓
PE100	✓	✓	✓
PE cev sa barijerom	✗	✗	
Azbestni cement	✗	✓	

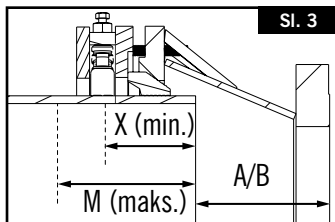
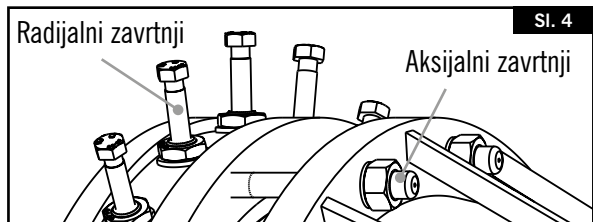
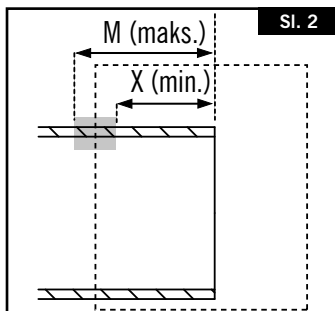
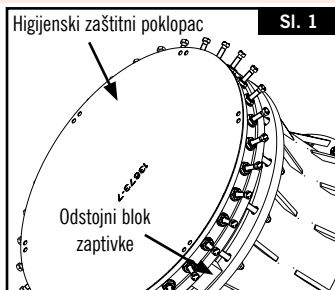
Napomene

Ova uputstva se odnose na asortiman UltraGrip flanš adaptera za upotrebu na cevnim materijalima navedenim u tabeli. UltraGrip se isporučuje u potpunosti sastavljen za upotrebu kao krajnji proizvod za fiksiranje (zatezanje) i ne treba ga rasklapati pre ugradnje, osim ako se koristi kao fleksibilan proizvod (bez zatezanja), a u tom slučaju zavrtnji stezaljke se ne smeju zatezati.

Pritisak na mestu ispitivanja = 1,5 puta veći od radnog pritiska
Potrebno je ukloniti debele obloge cevi i zaštitne omote.

Nadzerni širenja su izloženi opterećenju koje nastaje i od unutrašnjeg pritiska i od temperaturnih promena / toplotnog širenja koje može biti znatno veće nego opterećenje od unutrašnjeg pritiska i ne mogu se uvek bezbedno odrediti. UltraGrip se može koristiti iznad zemlje, gde nije izložen direktnoj sunčevoj svetlosti, i spada u opseg radne temperature od 40 °C (između -20 °C i +60 °C).

*Obrtni moment od 110–120 za cevi od livenog gvožđa pretpostavlja da debljina zida livenog gvožđa iznosi 2 mm i da se nalazi u stanju u kome čvrstoća strukture nije ugrožena. Obratite se kompaniji Viking Johnson za preporučeni moment zavrtnja za cevi od livenog gvožđa sa tanjim zidovima.



ULTRAGRIP FLANŠ ADAPTERI PN16 DN700 – DN800



Uputstvo za ugradnju

1. Proverite da li materijal i veličina cevi odgovaraju UltraGrip flanš adapteru. Za PE i MOPVC uvek koristite ojačavajući prsten. (pogledajte stranice 48–49)
2. Pregledajte krajeve cevi i postarajte se da su površine cevi čiste i bez ogrebotina, kamenca, rđe ili bilo kakvih krhotina ili drugih površinskih oštećenja koja mogu uticati na performanse fitinga. Mesta vara se moraju brusiti do ravne površine, uz održavanje pravilnog profila površine. Potrebno je ukloniti debele obloge cevi ili omote. UltraGrip mora se nalaziti ili na goloj površini cevi ili na tankom sloju boje.
3. **Upozorenje o opasnosti:** Ušice za podizanje, tamo gde su obezbeđene, projektovane su/testirane za podizanje samo proizvoda na koji su pričvršćene. Nepoštovanje ovih uputstava može dovesti do ozbiljnih povreda ili smrti, kao i materijalne štete.

Potrebno je da budete obučeni, kompetentni i upoznati sa opremom za dizanje i priborom koji će se koristiti. Potrebno je da koristite ispravnu opremu sa oznakom ograničenja radnog opterećenja ili dostupnim tabelama za njegovo utvrđivanje. Pregledajte opremu za podizanje i pribor pre nego što počnete sa podizanjem i odbacite neispravnu opremu. Ne sme se premašiti radno opterećenje opreme. Nemojte da koristite opremu koja je neispravna niti da premašite njeno radno opterećenje. Opremu mora pregledati i ponovo sertifikovati nadležni inspekcijski inženjer. Zadatke vezivača i pomoćnika za dizalicu treba da obavljate samo ako ste stručni i imate odgovarajuću obuku. Obuku mora da pruži ovlašćeni pružalac obuke. Nikada nemojte hodati ispod tereta niti ga prebacivati iznad nekoga.
4. Svi UltraGrip flanš adapteri sadrže higijenske zaštitne kapice (koje se sastoje od biorazgradivih vezica i biorazgradivog voodootpornog kartona) da bi se sprečila kontaminacija. One se moraju ukloniti pre postavljanja (sl. 1). Odstojni blok zaptivke (sl. 1) NE sme se uklanjati u ovom trenutku.
5. Da biste se postarali za ispravnu ugradnju, označite minimalnu i maksimalnu dubinu ubacivanja cevi na osnovu tabele 1 duž celog obima oba kraja cevi kao što je prikazano na sl. 2.
6. Gurnite UltraGrip flanš adapter na kraj cevi. Poravnajte cev i UltraGrip flanš adapter sa kontra-prirubnicom, postavite zaptivku za spajanje prirubnice (Viking Johnson preporučuje korišćenje IBC zaptivke za optimalno zaptivanje) i spojne zavrtnje prirubnice. Cev treba da bude ubačena na dubinu između X (min.) i M (maks.) kao što je prikazano na sl. 3 na osnovu dubina umetanja iz tabele 1. — po potrebi prilagodite. Zategnite spojne zavrtnje prirubnica pomoću standardnih procedura. Ako se mehanički spoj ugrađuje na cev sa ravnim krajem. Kraj proizvoda treba da se nalazi između oznaka minimalne X (min.) i maksimalne M (maks.) dubine ubacivanja (pogledajte tabelu 1).
7. Svi UltraGrip flanš adapteri sadrže odstojne blokove zaptivke (sl. 1) koji sprečavaju deformisanje krajnjih prstenova tokom transporta. Oni se moraju ukloniti pre postavljanja u ovoj fazi.
8. Zategnite dijametralno suprotne navrtke aksijalnih pričvršćivača kao što je prikazano na sl. 4. Svaku navrtku okrenite po jedan ili dva puta u datom trenutku da biste ravnomerno zategli krajnji prsten. Potrebno je da se sve navrtke zategnu onoliko puta koliko je potrebno da bi se postigao potreban obrtni moment (pogledajte tabelu 1). Po završetku, trebalo bi da postoji ravnomeran radijalni razmak između cevi i krajnjeg prstena fitinga, pri čemu je cela linija M (maks.) vidljiva, a nijedna linija X (min.) nije vidljiva.
9. Sada odlučite koji tip veze je potreban: ZATEZANJE ili BEZ ZATEZANJA:
 - a. **ZATEZANJE** — kada se koristi za zatezanje, zategnite dijametralno suprotne zavrtnje radijalnih pričvršćivača kao što je prikazano na sl. 4. Svaku navrtku okrenite jedan ili dva puta u datom trenutku da biste ravnomerno zahvatili stezaljke. Neophodno je zategnuti sve navrtke onoliko puta koliko je potrebno da bi se postigao potreban obrtni moment (pogledajte tabelu 1).
 - b. **BEZ ZATEZANJA** — kada se koristi kao tip bez zatezanja, radijalni pričvršćivači se ne smeju zatezati. Kada se ugradi kao fleksibilan proizvod (bez zatezanja), UltraGrip ne sprečava izvlačenje cevi i potrebno je obezbediti adekvatnu spoljnu zaštitu.



ULTRAGRIP FLANŠ ADAPTERI PN10 DN700 – DN800

Materijali cevi, dubine ubacivanja i prečnici zavrtnja za UltraGrip proizvode

Tabela 3.

Nominalna veličina	Raspon spoljnog prečnika (mm)	Nominalna veličina priprubice	Aksijalni pričvršćivač		Radijalni pričvršćivač				Zazor (mm)		Dubina ubacivanja (mm)		Nominalni pritisak za vođu		
			Velicina navoja	Preporučeni obrtni moment zavrtnja (Nm) za svaki materijal	Velicina zavrtnja	Preporučeni obrtni moment zavrtnja (Nm) za nodularni liv	Preporučeni obrtni moment zavrtnja (Nm) za PE	Preporučeni obrtni moment zavrtnja (Nm) za čelik i liveno gvožđe*	Preporučeni obrtni moment zavrtnja (Nm) za MOPVC	A (min.)	B (maks.)	X (min.)	M (maks.)	Proizvod za stezanje	Fleksibilni proizvod
DN700	700-735	600	M20	190-210	M16	175-185	140-150	110-120	95-105	550	575	220	245	10 bar	
DN700	700-735	700	M20	190-210	M16	175-185	140-150	110-120	95-105	265	290	220	245	10 bar	
DN700	727-762	700	M20	190-210	M16	175-185	140-150	110-120	95-105	265	290	220	245	10 bar	
DN700	750-785	700	M20	190-210	M16	175-185	140-150	110-120	95-105	265	290	220	245	10 bar	
DN800	789-824	700	M20	190-210	M16	175-185	140-150	110-120	95-105	415	440	220	245	10 bar	
DN800	789-824	800	M20	190-210	M16	175-185	140-150	110-120	95-105	270	295	220	245	10 bar	
DN800	825-860	800	M20	190-210	M16	175-185	140-150	110-120	95-105	270	295	220	245	10 bar	
DN800	853-888	800	M20	190-210	M16	175-185	140-150	110-120	95-105	270	295	220	245	10 bar	

UPOZORENJE: Nepoštovanje zahteva obrtnog momenta za različite materijale cevi može dovesti do klizanja cevi i/ili oštećenja cevi.

Tabela 4.

Materijal cevi	Zatezanje	Bez zatezanja	Neophodan ojačavajući prsten
Čelik	✓	✓	
Nodularni liv	✓	✓	
Liveno gvožđe	✓	✓	
MOPVC	✓	✓	✓
PE100	✓	✓	✓
PE cev sa barijerom	✗	✗	
Azbestni cement	✗	✓	

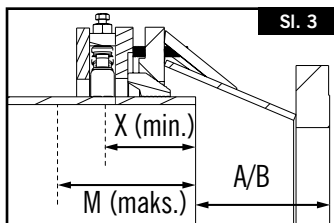
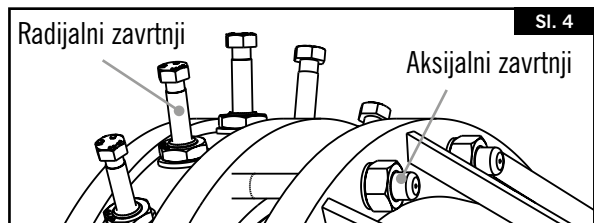
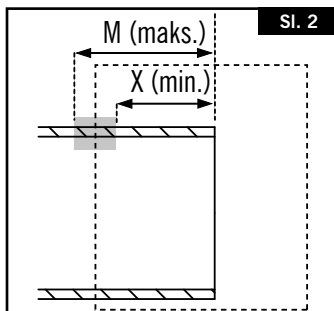
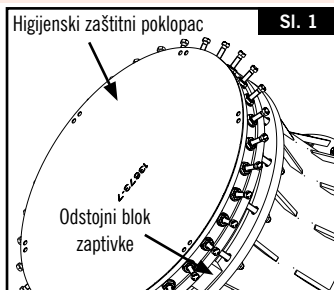
Napomene

Ova uputstva se odnose na asortiman UltraGrip flanš adaptera za upotrebu na cevima materijalima navedenim u tabeli. UltraGrip se isporučuje u potpunosti sastavljen za upotrebu kao krajnji proizvod za fiksiranje (zatezanje) i ne treba ga rasklapati pre ugradnje, osim ako se koristi kao fleksibilan proizvod (bez zatezanja), a u tom slučaju zavrtnji stezaljke se ne smeju zatezati.

Pritisak na mestu ispitivanja = 1,5 puta veći od radnog pritiska
Potrebno je ukloniti debele obloge cevi i zaštitne omote.

Nadzerni širenja su izloženi opterećenju koje nastaje i od unutrašnjeg pritiska i od temperaturnih promena / toplotnog širenja koje može biti znatno veće nego opterećenje od unutrašnjeg pritiska i ne mogu se uvek bezbedno odrediti. UltraGrip se može koristiti iznad zemlje, gde nije izložen direktnoj sunčevoj svetlosti, i spada u opseg radne temperature od 40 °C (između -20 °C i +60 °C).

*Obrtni moment od 110–120 za cevi od livenog gvožđa pretpostavlja da debljina zida livenog gvožđa iznosi 2 mm i da se nalazi u stanju u kome čvrstoća strukture nije ugrožena. Obratite se kompaniji Viking Johnson za preporučeni moment zavrtnja za cevi od livenog gvožđa sa tanjim zidovima.



ULTRAGRIP FLANŠ ADAPTERI PN10 DN700 – DN800



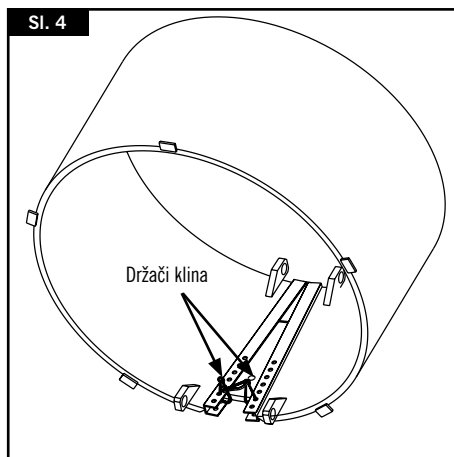
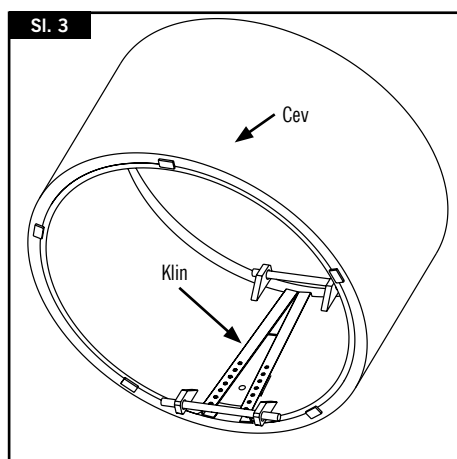
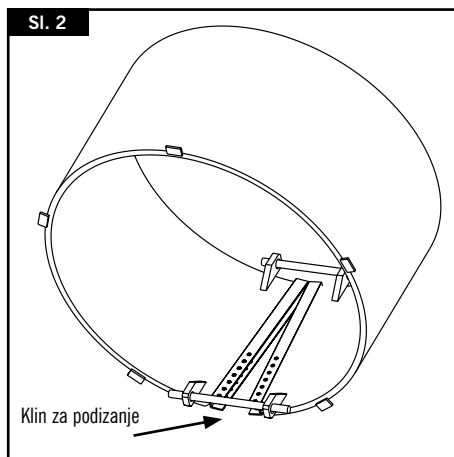
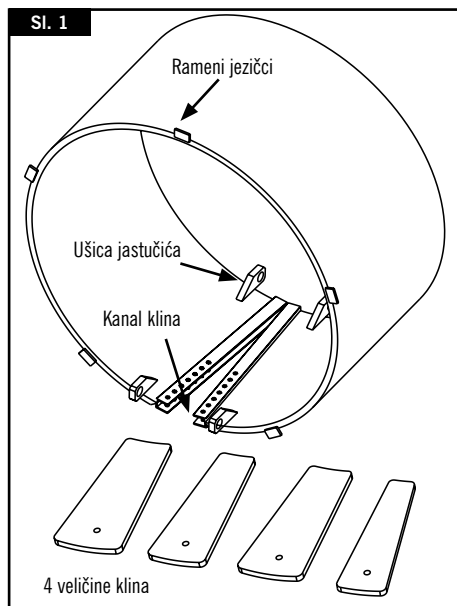
Uputstvo za ugradnju

1. Proverite da li materijal i veličina cevi odgovaraju UltraGrip flanš adapteru. Za PE i MOPVC uvek koristite ojačavajući prsten. (pogledajte stranice 48–49)
2. Pregledajte krajeve cevi i postarajte se da su površine cevi čiste i bez ogrebotina, kamenca, rđe ili bilo kakvih krhotina ili drugih površinskih oštećenja koja mogu uticati na performanse fittinga. Mesta vara se moraju brusiti do ravne površine, uz održavanje pravilnog profila površine. Potrebno je ukloniti debele obloge cevi ili omote. UltraGrip mora se nalaziti ili na goloj površini cevi ili na tankom sloju boje.
3. **Upozorenje o opasnosti:** Ušice za podizanje, tamo gde su obezbeđene, projektovane su/testirane za podizanje samo proizvoda na koji su pričvršćene. Nepoštovanje ovih uputstava može dovesti do ozbiljnih povreda ili smrti, kao i materijalne štete.

Potrebno je da budete obučeni, kompetentni i upoznati sa opremom za dizanje i priborom koji će se koristiti. Potrebno je da koristite ispravnu opremu sa oznakom ograničenja radnog opterećenja ili dostupnim tabelama za njegovo utvrđivanje. Pregledajte opremu za podizanje i pribor pre nego što počnete sa podizanjem i odbacite neispravnu opremu. Ne sme se premašiti radno opterećenje opreme. Nemojte da koristite opremu koja je neispravna niti da premašite njeno radno opterećenje. Opremu mora pregledati i ponovo sertifikovati nadležni inspekcijski inženjer. Zadatke vezivača i pomoćnika za dizalicu treba da obavljate samo ako ste stručni i imate odgovarajuću obuku. Obuku mora da pruži ovlašćeni pružalac obuke. Nikada nemojte hodati ispod tereta niti ga prebacivati iznad nekoga.
4. Svi UltraGrip flanš adapteri sadrže higijenske zaštitne kapice (koje se sastoje od biorazgradivih vezica i biorazgradivog voodootpornog kartona) da bi se sprečila kontaminacija. One se moraju ukloniti pre postavljanja (sl. 1). Odstojni blok zaptivke (sl. 1) NE sme se uklanjati u ovom trenutku.
5. Da biste se postarali za ispravnu ugradnju, označite minimalnu i maksimalnu dubinu ubacivanja cevi na osnovu tabele 3 duž celog obima oba kraja cevi kao što je prikazano na sl. 2.
6. Gurnite UltraGrip flanš adapter na kraj cevi. Poravnajte cev i UltraGrip flanš adapter sa kontra-prirubnicom, postavite zaptivku za spajanje prirubnice (Viking Johnson preporučuje korišćenje IBC zaptivke za optimalno zaptivanje) i spojne zavrtnje prirubnice. Cev treba da bude ubačena na dubinu između X (min.) i M (maks.) kao što je prikazano na sl. 3 na osnovu dubina umetanja iz tabele 3. – po potrebi prilagodite. Zategnite spojne zavrtnje prirubnica pomoću standardnih procedura. Ako se mehanički spoj ugrađuje na cev sa ravnim krajem. Kraj proizvoda treba da se nalazi između oznaka minimalne X (min.) i maksimalne M (maks.) dubine ubacivanja (pogledajte tabelu 3).
7. Svi UltraGrip flanš adapteri sadrže odстойne blokove zaptivke (sl. 1) koji sprečavaju deformisanje krajnjih prstenova tokom transporta. Oni se moraju ukloniti pre postavljanja u ovoj fazi.
8. Zategnite dijametralno suprotne navrtke aksijalnih pričvršćivača kao što je prikazano na sl. 4. Svaku navrtku okrenite po jedan ili dva puta u datom trenutku da biste ravnomerno zategli krajnji prsten. Potrebno je da se sve navrtke zategnu onoliko puta koliko je potrebno da bi se postigao potreban obrtni moment (pogledajte tabelu 3). Po završetku, trebalo bi da postoji ravnomeran radijalni razmak između cevi i krajnjeg prstena fittinga, pri čemu je cela linija M (maks.) vidljiva, a nijedna linija X (min.) nije vidljiva.
9. Sada odlučite koji tip veze je potreban: ZATEZANJE ili BEZ ZATEZANJA:
 - a. **ZATEZANJE** – kada se koristi za zatezanje, zategnite dijametralno suprotne zavrtnje radijalnih pričvršćivača kao što je prikazano na sl. 4. Svaku navrtku okrenite jedan ili dva puta u datom trenutku da biste ravnomerno zahvatili stezaljke. Neophodno je zategnuti sve navrtke onoliko puta koliko je potrebno da bi se postigao potreban obrtni moment (pogledajte tabelu 3).
 - b. **BEZ ZATEZANJA** – kada se koristi kao tip bez zatezanja, radijalni pričvršćivači se ne smeju zatezati. Kada se ugradi kao fleksibilan proizvod (bez zatezanja), UltraGrip ne sprečava izvlačenje cevi i potrebno je obezbediti adekvatnu spoljnu zaštitu.



ULTRAGRIP OJAČAVAJUĆI PRSTENI OD MEKOG ČELIKA SA RILSAN PREMAZOM ZA PE I MOPVC VELIČINE DN700 – DN800



ULTRAGRIP OJAČAVAJUĆI PRSTENI OD MEKOĞ ČELIKA SA RILSAN PREMAZOM ZA PE I MOPVC VELIČINE DN700 – DN800



Uputstvo za ugradnju

1. Proverite da li ojačavajući prsten i klinovi odgovaraju spoljnom prečniku cevi i debljini zida.
2. Izmerite prečnik cevi i izaberite ispravan klin iz seta od 4 isporučena (pogledajte tabelu 5 za PE i MOPVC).
3. Ubacujte ojačavajući prsten u otvor cevi sve dok rameni jezičci ne nalegnu na kraj cevi.
4. Postavite odgovarajući klin za podizanje kroz ušice jastućića u ojačavajućem prstenu (sl. 2).
5. Pomoću navrtki na klinovima proširite ojačavajući prsten sve dok ne dođe u kontakt sa otvorom cevi.
6. Ubacite odgovarajući klin u kanal ojačavajućeg prstena.
7. Udarajte klin sve dok se ojačavajući prsten potpuno ne proširi na otvor cevi. (sl. 3)
8. Zakačite držače klina u otvore kanala najbliže kraju klina kako klin ne bi iskliznuo napolje.
9. Kada ubacite dva držača, koristite treći držač da biste ih spojili sve zajedno. (sl. 4)
10. Olabavite navrtke za podizanje i uklonite zavrtnje i navrtke za podizanje.

UPOZORENJE: Oštećenje premaza klina ili ojačavajućeg prstena dovešće do rđanja proizvoda; potrebno je posebno voditi računa da se premaz ne ošteti prilikom ubacivanja klinova u ojačavajuće prstene.

Tabela 5.

Šifra cevi	Veličine cevi (mm)	Spoljni prečnik cevi		Unutrašnji prečnik cevi		Klin 1				Klin 2				Klin 3				Klin 4			
		Min. (mm)	Maks. (mm)	Min. (mm)	Maks. (mm)	Min. unutrašnji prečnik (mm)	Maks. unutrašnji prečnik (mm)	Kratka ivica (mm)	Dugačka ivica (mm)	Min. unutrašnji prečnik (mm)	Maks. unutrašnji prečnik (mm)	Kratka ivica (mm)	Dugačka ivica (mm)	Min. unutrašnji prečnik (mm)	Maks. unutrašnji prečnik (mm)	Kratka ivica (mm)	Dugačka ivica (mm)	Min. unutrašnji prečnik (mm)	Maks. unutrašnji prečnik (mm)	Kratka ivica (mm)	Dugačka ivica (mm)
PE ojačavajući prsten																					
710-SDR11	710	710	716.4	567	587	555	565	50	100	566	571	85	135	572	582	103	153	583	587	120	170
710-SDR17	710	710	716.4	618	633	610	617	50	100	618	621	76	126	622	629	89	139	630	633	102	152
710-SDR21	710	710	716.4	635	649	626	633	50	100	634	641	76	126	642	645	89	139	646	649	102	152
710-SDR26	710	710	716.4	650	662	642	648	50	100	649	652	72	122	653	655	83	133	656	662	94	144
800-SDR11	800	800	807.2	640	662	627	638	50	100	639	644	88	138	645	656	107	157	657	661	126	176
800-SDR17	800	800	807.2	696	713	687	695	50	100	696	700	79	129	701	709	94	144	710	713	108	158
800-SDR21	800	800	807.2	716	731	708	715	50	100	716	723	76	126	724	727	89	139	728	731	102	152
800-SDR26	800	800	807.2	732	746	723	730	50	100	731	734	76	126	735	738	89	139	739	746	102	152
MOPVC ojačavajući prstenovi																					
710-SDR33	710	710	712	662	668	656	661	50	100	662	664	88	138	665	670	79	129	671	673	126	176
800-SDR33	800	800	802	746	753	739	745	50	100	746	749	72	122	750	756	83	133	757	759	102	152

Notes: / Remarques : / Notas: / Anmerkungen: / Noteringar / Poznámky / Napomene:

Every effort has been made to ensure that the information contained in this publication is accurate at the time of publishing. Crane Ltd assumes no responsibility or liability for typographical errors or omissions or for any misinterpretation of the information within the publication and reserves the right to change without notice.

Toutes les précautions ont été prises pour vérifier l'exactitude des informations figurant aux présentes au moment de la publication. Crane Ltd n'accepte aucune responsabilité ni obligation relatives à des erreurs typographiques ou omissions ou à une interprétation erronée des informations figurant dans la publication et se réserve le droit de la modifier sans préavis.

Se han extremado las precauciones para asegurar que la información contenida en este catálogo sea exacta en el momento de su publicación. Crane Ltd no acepta ninguna responsabilidad por errores tipográficos, omisiones o cualquier interpretación errónea de la información contenida en la publicación y se reserva el derecho de cambiarla sin previo aviso.

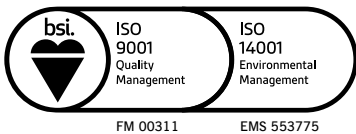
Foram envidados todos os esforços para garantir que as informações aqui constantes são precisas na altura da publicação. A Crane Ltd não assume qualquer responsabilidade por erros tipográficos ou omissões ou pela interpretação incorreta das informações aqui constantes e reserva-se o direito de mudar a publicação sem aviso.

Es wurden alle erforderlichen Massnahmen getroffen, um zu gewährleisten, dass zum Zeitpunkt der Herausgabe alle Informationen in dieser Publikation akkurat und zutreffend sind. Crane LTD übernimmt keine Verantwortung oder Haftung für typografische Fehler, Auslassungen oder für etwaige Fehlinterpretationen innerhalb dieser Publikation und behält sich das Recht vor, Änderungen jederzeit und ohne vorherige Ankündigung vorzunehmen.

Alla ansträngningar har gjorts för att säkerställa att informationen i denna publikation är korrekt vid tidpunkten för publicering. Crane Ltd tar inget ansvar för typografiska fel eller utelämnanden eller för någon feltolkning av informationen i denna publikation och förbehåller sig rätten att göra ändringar utan föregående meddelande.

Byla vynaložena veškerá snaha k zajištění přesných informací obsažených v této publikaci v čase jejího vydání. Crane Ltd nepřebírá žádnou zodpovědnost nebo právní odpovědnost za typografické chyby nebo opomenutí nebo za jakýkoli mylný výklad těchto informací z této publikace a vyhrazuje si práva změny bez oznámení.

Učineni su svi napori da podaci navedeni u ovom dokumentu budu tačni na dan objavljivanja. Crane Ltd nije odgovoran za greške u kucanju ili pogrešnu interpretaciju navedenih informacija, te zadržava pravo da iste promeni bez prethodnog obaveštenja.



www.vikingjohnson.com/ultragrip



To visit our Video Library go to:

Pour visiter notre bibliothèque vidéos se rendre à:

Para visitar nuestra videoteca consulte:

Poderá visitar a nossa videoteca em:

Besuch unserer Videothek über:

För att besöka vårt videobibliotek, gå till:

K návštěvě naší video knihovny jděte na:

Našu video biblioteku možete da posetite na:

<http://www.youtube.com/user/CraneBSU>



46-48 WILBURY WAY
HITCHIN,
HERTFORDSHIRE
SG4 0UD. UK

TELEPHONE: +44 (0)1462 443322
FAX: +44 (0)1462 443311
EMAIL: info@vikingjohnson.com
www.vikingjohnson.com

DR11588C-FA_18_09_2024_FA_REV07_R39/050VC