

# UltraGrip®

DN900



**Couplings & Flange Adaptors**  
**Raccords & Adaptateurs à bride**  
**Kupplungen und Flanschadaptor**

**Spojky a přírubové adaptéry**  
**Kopplingar och flänsadaptrar**



GB – INSTALLATION INSTRUCTIONS



CZ – MONTÁŽNÍ NÁVOD



FR – NOTICE DE MONTAGE



SV – INSTALLATIONSANVISNINGAR



D – MONTAGEANLEITUNG



PIONEERS IN PIPE SOLUTIONS



# ULTRAGRIP COUPLINGS DN900

Pipe materials, insertion depths and bolt diameters for UltraGrip products

Nom Size	O.D. Range (mm)	Axial Fastener		Radial Fastener				Setting Gap (mm)		Insertion Depth (mm)		Pressure Rating for Water		
		Stud Size	Recommended Bolt Torque (Nm) for all materials	Bolt Size	Recommended Bolt Torque (Nm) for Ductile Iron	Recommended Bolt Torque (Nm) for PE	Recommended Bolt Torque (Nm) for Steel & Cast Iron*	Recommended Bolt Torque (Nm) for MOPVC	A (min)	B (max)	X (min)	M (max)	Gripping Product	Flex Product
DN900	892- 927	M20	190-210	M16	N/A	140-150	110-120	N/A	165	375	220	325	16 bar	
DN900	926 -961	M20	190-210	M16	190 -210	N/A	110-120	N/A	165	375	220	325	16 bar	
DN900	958 -993	M20	190-210	M16	N/A	N/A	110-120	N/A	165	375	220	325	16 bar	

**WARNING:** Not conforming to torque requirements for different pipe materials can result in pipe slippage and / or pipe damage.

Pipe Materials	Gripping	Non-Gripping	Support Liner Required
Steel	✓	✓	
Ductile Iron	✓	✓	
Cast Iron	✓	✓	
MOPVC	X	X	
PE100	✓	✓	✓
PE Barrier Pipe	X	X	
Asbestos Cement	X	✓	

## NOTES

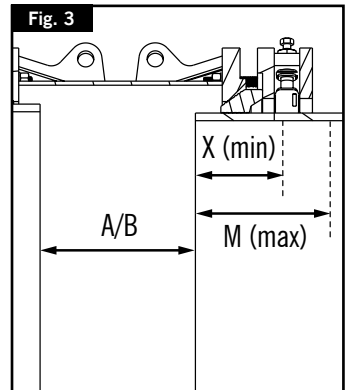
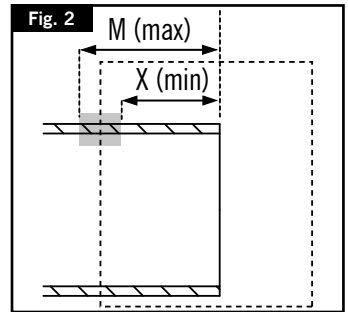
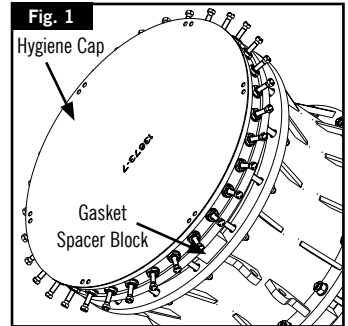
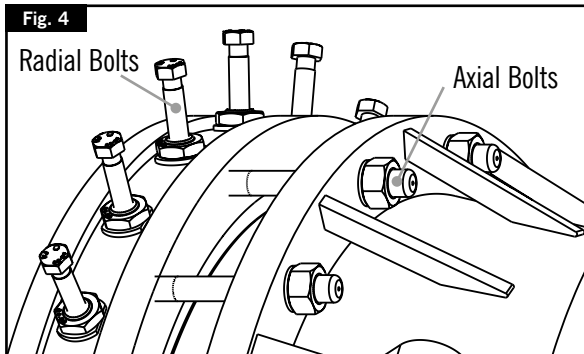
These instructions relate to the UltraGrip range of couplings for use on the pipe materials noted in the table. UltraGrip is supplied fully assembled for use as an end restraint (gripping) product and should not be dismantled prior to installation, unless it is to be used as a flexible (non gripping) product in which case the gripper bolts should not be torqued.

Site test pressure = 1.5 times working pressure

Thick pipe coatings and protective wrappings must always be removed.

Above ground pipework is subject to both loads from the internal pressure and those from temperature changes / thermal expansion, which can be substantially higher than those from internal pressure and cannot always be safely determined. UltraGrip can be used in above ground applications, where it is not exposed to direct sunlight, and falls within the 40 degrees operating temperature range (between -20 and +60).

\*110-120 torque rating for cast iron pipes assumes the cast iron has a wall thickness of 32mm and in a condition where the structural strength has not been compromised. For thinner wall cast iron pipes, please contact Viking Johnson for a recommended bolt torque.



# ULTRAGRIP COUPLINGS DN900



## Installation Instructions

1. Check that pipe material and size are suitable for the UltraGrip Coupling. For PE always use a support liner. (See pages 8-9)
2. Examine pipe ends and ensure that pipe surfaces are clean and free from score marks, scale, rust or any loose debris or other surface defect that may affect fitting performance. Weld beads must be ground flush, maintaining correct surface profile. Thick pipe coatings or wrappings must always be removed. UltraGrip must sit either on to the bare pipe surface or on a thin paint film.
3. **Hazard Warning:** Lifting lugs, where provided, are designed/tested for lifting only the product to which they are attached. Failure to follow these instructions could result in serious personal injury or death, or property damage.

Ensure that you are trained, competent and familiar with the lifting appliance and accessories to be used. Ensure that the correct equipment is used and is marked with its WLL (Working Load Limit) or tables are available to determine the WLL. Ensure that you visually inspect the lifting gear and accessories before proceeding with the lift, discarding defective equipment. Ensure work is within the WLL for the equipment. Do not use equipment that is faulty, or operate it beyond the WLL. It must be examined by a competent inspection engineer and re-certificated. Only undertake slinging and banksman's duties if you are competent and have been trained. This must be provided by a recognised training provider. Never walk underneath or slew a load over a person.

4. All UltraGrip couplings incorporate hygiene protective caps (which consist of bio-degradable tie-wraps and bio-degradable water resistant cardboard) to prevent contamination. This must be removed prior to fitment (Fig 1). Gasket spacer block (Fig 1) should NOT be removed at this point.
5. To ensure correct installation, mark the minimum and maximum pipe insertion depths obtained from Table 1 around the full circumference of both pipe ends as shown in Fig.2.
6. Align pipe to be laid with pipe already in position, taking care that pipe ends are concentric, adjusting support or trench bed as necessary.
7. Slide the mechanical coupling onto one of the pipe spigot ends. Once the coupling is slid over the pipe, reposition the coupling so the mechanical fitting is centrally placed over the gap between two pipes. Bring the pipes into position until the distance between X (min) and M (max) as shown in Fig 3 using depths obtained from Table 1. - adjust if necessary. Check that the two pipe ends and the coupling are on the same axis. Use supports if necessary.
8. All UltraGrip DN900 couplings incorporate gasket spacer blocks (Fig.1) which prevent the end rings from collapsing during transportation. This must be removed prior to fitment at this stage.
9. Tighten diametrically opposed nuts of the axial fasteners as per Fig 4, giving each nut one or two turns at a time to draw up the end ring evenly. All nuts are required to be tightened up as many times as necessary to achieve the required torque (Ref Table 1). On completion, there should be an even radial gap between pipe and end ring of the fitting, with all of the M (max) line being visible and none of the X (min) line visible.
10. Decide now what type of connection is required: GRIPPING or NON-GRIPPING:-
  - a. **GRIPPING** - When used as a gripping type, tighten diametrically opposed bolts of the radial fasteners as per Fig 4, giving each nut one or two turns at a time to engage the grippers evenly. All nuts are required to be tightened up as many times as necessary to achieve the required torque (Ref Table 1).
  - b. **NON-GRIPPING** - When used as a non-gripping type, the radial fasteners must not be torqued. When installed as a flexible (non-gripping) product UltraGrip does not prevent pipe pull-out and adequate external restraint has to be provided.



# ULTRAGRIP FLANGE ADAPTORS PN16 DN900

Pipe materials, insertion depths and bolt diameters for UltraGrip products

Table 3.

Nom Size	O.D. Range (mm)	Flange Nom Size	Axial Fastener		Radial Fastener					Setting Gap (mm)		Insertion Depth (mm)		Pressure Rating for Water	
			Stud Size	Recommended Bolt Torque (Nm) for all materials	Bolt Size	Recommended Bolt Torque (Nm) for Ductile Iron	Recommended Bolt Torque (Nm) for PE	Recommended Bolt Torque (Nm) for Steel & Cast Iron*	Recommended Bolt Torque (Nm) for MOPVC	A (min)	B (max)	X (min)	M (max)	Gripping Product	Flex Product
DN900	892-927	800	M20	190-210	M16	N/A	140-150	110-120	N/A	540	565	220	245	16 bar	
DN900	892-927	900	M20	190-210	M16	N/A	140-150	110-120	N/A	300	325	220	245	16 bar	
DN900	926-961	900	M20	190-210	M16	190-210	N/A	110-120	N/A	500	525	220	245	16 bar	
DN900	958-993	900	M20	190-210	M16	N/A	N/A	110-120	N/A	500	525	220	245	16 bar	

**WARNING:** Not conforming to torque requirements for different pipe materials can result in pipe slippage and / or pipe damage.

Table 4.

Pipe Materials	Gripping	Non-Gripping	Support Liner Required
Steel	✓	✓	
Ductile Iron	✓	✓	
Cast Iron	✓	✓	
MOPVC	✗	✗	
PE100	✓	✓	✓
PE Barrier Pipe	✗	✗	
Asbestos Cement	✗	✓	

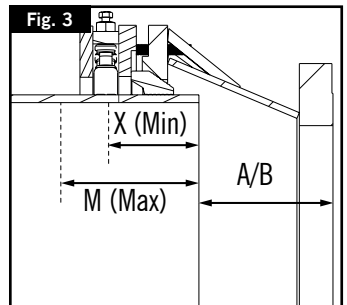
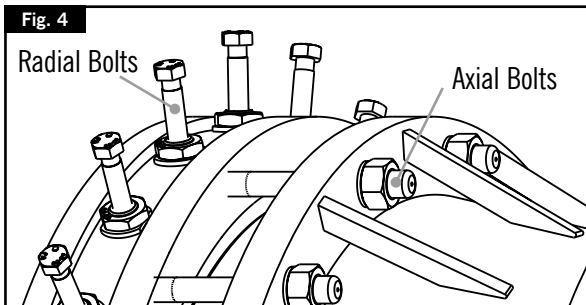
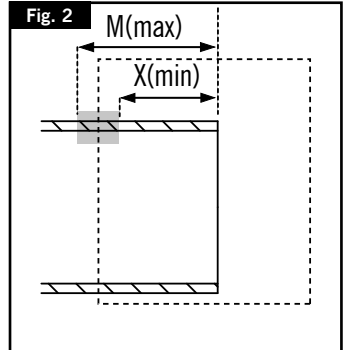
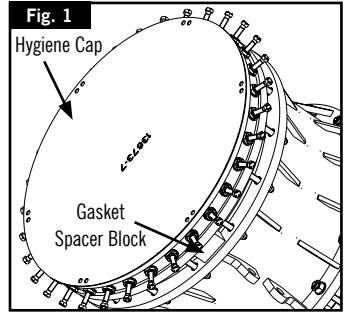
### NOTES

These instructions relate to the UltraGrip range of Flange Adaptors for use on the pipe materials noted in the table. UltraGrip is supplied fully assembled for use as an end restraint (gripping) product and should not be dismantled prior to installation, unless it is to be used as a flexible (non gripping) product in which case the gripper bolts should not be torqued.

Site test pressure = 1.5 times working pressure  
Thick pipe coatings and protective wrappings must always be removed.

Above ground exposed pipework is subject to both loads from the internal pressure and those from temperature changes / thermal expansion, which can be substantially higher than those from internal pressure and cannot always be safely determined. UltraGrip can be used in above ground applications, where it is not exposed to direct sunlight, and falls within the 40 degrees operating temperature range (between -20 and +60).

\*110-120 torque rating for cast iron pipes assumes the cast iron has a wall thickness of 32mm and in a condition where the structural strength has not been compromised. For thinner wall cast iron pipes, please contact Viking Johnson for a recommended bolt torque.



# ULTRAGRIP FLANGE ADAPTORS PN16 DN900



## Installation Instructions

1. Check that pipe material and size are suitable for the UltraGrip Flange Adaptor. For PE always use a support liner. (See pages 8-9)
2. Examine pipe ends and ensure that pipe surfaces are clean and free from score marks, scale, rust or any loose debris or other surface defect that may affect fitting performance. Weld beads must be ground flush, maintaining correct surface profile. Thick pipe coatings or wrappings must always be removed. UltraGrip must sit either on to the bare pipe surface or on a thin paint film.
3. **Hazard Warning:** Lifting lugs, where provided, are designed/tested for lifting only the product to which they are attached. Failure to follow these instructions could result in serious personal injury or death, or property damage.

Ensure that you are trained, competent and familiar with the lifting appliance and accessories to be used. Ensure that the correct equipment is used and is marked with its WLL (Working Load Limit) or tables are available to determine the WLL. Ensure that you visually inspect the lifting gear and accessories before proceeding with the lift, discarding defective equipment. Ensure work is within the WLL for the equipment. Do not use equipment that is faulty, or operate it beyond the WLL. It must be examined by a competent inspection engineer and re-certificated. Only undertake slinging and banksman's duties if you are competent and have been trained. This must be provided by a recognised training provider. Never walk underneath or slew a load over a person.

4. All UltraGrip Flange Adaptors incorporate hygiene protective caps (which consist of bio-degradable tie-wraps and bio-degradable water resistant cardboard) to prevent contamination. This must be removed prior to fitment (Fig 1). Gasket spacer block (Fig 1) should NOT be removed at this point.
5. To ensure correct installation, mark the minimum and maximum pipe insertion depths obtained from Table 3 around the full circumference of both pipe ends as shown in Fig.2.
6. Slide the UltraGrip Flange Adaptor onto pipe end. Align the pipe and UltraGrip Flange Adaptor with mating flange, fit flange connecting gasket (Viking Johnson recommend using an IBC gasket for optimum sealing) and flange connecting bolts. Ensure pipe is inserted to a depth between X (min) and M (max) as shown in Fig 3 using depths obtained from Table 3. — adjust if necessary. Tighten flange connecting bolts using standard procedures. If the mechanical fitting is being installed on plain ended pipe. The end of the product should sit between the minimum and maximum insertion depth X (min) and M (max) (Refer table 3).
7. All UltraGrip flange adaptors incorporate gasket spacer blocks (Fig.1) which prevent the end rings from collapsing during transportation. These must be removed prior to fitment at this stage.
8. Tighten diametrically opposed nuts of the axial fasteners as per Fig 4, giving each nut one or two turns at a time to draw up the end ring evenly. All nuts are required to be tightened up as many times as necessary to achieve the required torque (Ref Table 3). On completion, there should be an even radial gap between pipe and end ring of the fitting, with all of the M (max) line being visible and none of the X (min) line visible.
9. Decide now what type of connection is required: GRIPPING or NON-GRIPPING:-
  - a. **GRIPPING** - When used as a gripping type, tighten diametrically opposed bolts of the radial fasteners as per Fig 4, giving each bolt one or two turns at a time to engage the grippers evenly. All bolts are required to be tightened up as many times as necessary to achieve the required torque (Ref Table 3).
  - b. **NON-GRIPPING** - When used as a non-gripping type, the radial fasteners must not be torqued. When installed as a flexible (non-gripping) product UltraGrip does not prevent pipe pull-out and adequate external restraint has to be provided.



# ULTRAGRIP FLANGE ADAPTORS PN10 DN900

Pipe materials, insertion depths and bolt diameters for UltraGrip products

Table 5.

Nom Size	O.D. Range (mm)	Flange Nom Size	Axial Fastener		Radial Fastener					Setting Gap (mm)		Insertion Depth (mm)		Pressure Rating for Water	
			Stud Size	Recommended Bolt Torque (Nm) for all materials	Bolt Size	Recommended Bolt Torque (Nm) for Ductile Iron	Recommended Bolt Torque (Nm) for PE	Recommended Bolt Torque (Nm) for Steel & Cast Iron*	Recommended Bolt Torque (Nm) for MOPVC	A (min)	B (max)	X (min)	M (max)	Gripping Product	Flex Product
DN900	892-927	800	M20	190-210	M16	N/A	140-150	110-120	N/A	525	550	220	245	10 bar	
DN900	892-927	900	M20	190-210	M16	N/A	140-150	110-120	N/A	280	305	220	245	10 bar	
DN900	926-961	900	M20	190-210	M16	190-210	N/A	110-120	N/A	380	405	220	245	10 bar	
DN900	958-993	900	M20	190-210	M16	N/A	N/A	110-120	N/A	430	455	220	245	10 bar	

**WARNING:** Not conforming to torque requirements for different pipe materials can result in pipe slippage and / or pipe damage.

Table 6.

Pipe Materials	Gripping	Non-Gripping	Support Liner Required
Steel	✓	✓	
Ductile Iron	✓	✓	
Cast Iron	✓	✓	
MOPVC	✗	✗	
PE100	✓	✓	✓
PE Barrier Pipe	✗	✗	
Asbestos Cement	✗	✓	

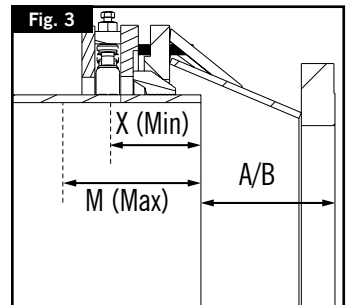
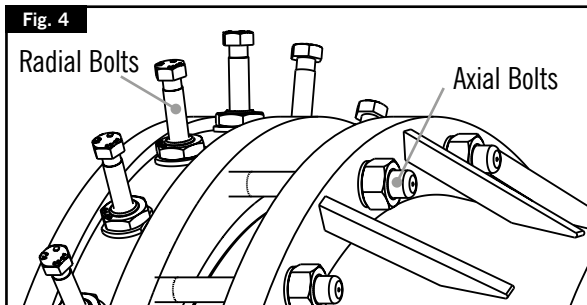
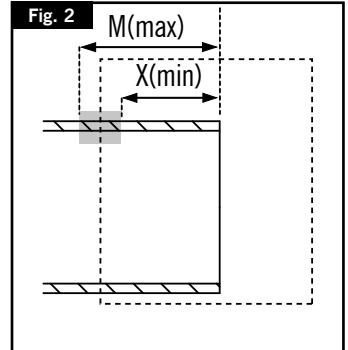
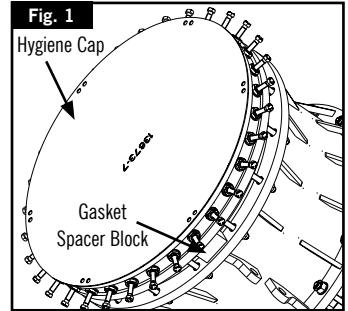
**NOTES**

These instructions relate to the UltraGrip range of Flange Adaptors for use on the pipe materials noted in the table. UltraGrip is supplied fully assembled for use as an end restraint (gripping) product and should not be dismantled prior to installation, unless it is to be used as a flexible (non gripping) product in which case the gripper bolts should not be torqued.

Site test pressure = 1.5 times working pressure  
Thick pipe coatings and protective wrappings must always be removed.

Above ground exposed pipework is subject to both loads from the internal pressure and those from temperature changes / thermal expansion, which can be substantially higher than those from internal pressure and cannot always be safely determined. UltraGrip can be used in above ground applications, where it is not exposed to direct sunlight, and falls within the 40 degrees operating temperature range (between -20 and +60).

\*110-120 torque rating for cast iron pipes assumes the cast iron has a wall thickness of 32mm and in a condition where the structural strength has not been compromised. For thinner wall cast iron pipes, please contact Viking Johnson for a recommended bolt torque.



# ULTRAGRIP FLANGE ADAPTORS PN10 DN900



## Installation Instructions

1. Check that pipe material and size are suitable for the UltraGrip Flange Adaptor. For PE always use a support liner. (See pages 8-9)
2. Examine pipe ends and ensure that pipe surfaces are clean and free from score marks, scale, rust or any loose debris or other surface defect that may affect fitting performance. Weld beads must be ground flush, maintaining correct surface profile. Thick pipe coatings or wrappings must always be removed. UltraGrip must sit either on to the bare pipe surface or on a thin paint film.
3. **Hazard Warning:** Lifting lugs, where provided, are designed/tested for lifting only the product to which they are attached. Failure to follow these instructions could result in serious personal injury or death, or property damage.

Ensure that you are trained, competent and familiar with the lifting appliance and accessories to be used. Ensure that the correct equipment is used and is marked with its WLL (Working Load Limit) or tables are available to determine the WLL. Ensure that you visually inspect the lifting gear and accessories before proceeding with the lift, discarding defective equipment. Ensure work is within the WLL for the equipment. Do not use equipment that is faulty, or operate it beyond the WLL. It must be examined by a competent inspection engineer and re-certificated. Only undertake slinging and banksman's duties if you are competent and have been trained. This must be provided by a recognised training provider. Never walk underneath or slew a load over a person.

4. All UltraGrip Flange Adaptors incorporate hygiene protective caps (which consist of bio-degradable tie-wraps and bio-degradable water resistant cardboard) to prevent contamination. This must be removed prior to fitment (Fig 1). Gasket spacer block (Fig 1) should NOT be removed at this point.
5. To ensure correct installation, mark the minimum and maximum pipe insertion depths obtained from Table 5 around the full circumference of both pipe ends as shown in Fig.2.
6. Slide the UltraGrip Flange Adaptor onto pipe end. Align the pipe and UltraGrip Flange Adaptor with mating flange, fit flange connecting gasket (Viking Johnson recommend using an IBC gasket for optimum sealing) and flange connecting bolts. Ensure pipe is inserted to a depth between X(min) and M(max) as shown in Fig 3 using depths obtained from Table 5. — adjust if necessary. Tighten flange connecting bolts using standard procedures. If the mechanical fitting is being installed on plain ended pipe. The end of the product should sit between the minimum and maximum insertion depth X(min) and M(max) (Refer table 5).
7. All UltraGrip flange adaptors incorporate gasket spacer blocks (Fig.1) which prevent the end rings from collapsing during transportation. These must be removed prior to fitment at this stage.
8. Tighten diametrically opposed nuts of the axial fasteners as per Fig 4, giving each nut one or two turns at a time to draw up the end ring evenly. All nuts are required to be tightened up as many times as necessary to achieve the required torque (Ref Table 5). On completion, there should be an even radial gap between pipe and end ring of the fitting, with all of the M(max) line being visible and none of the X(min) line visible.
9. Decide now what type of connection is required: GRIPPING or NON-GRIPPING:-
  - a. **GRIPPING** - When used as a gripping type, tighten diametrically opposed bolts of the radial fasteners as per Fig 4, giving each bolt one or two turns at a time to engage the grippers evenly. All bolts are required to be tightened up as many times as necessary to achieve the required torque (Ref Table 5).
  - b. **NON-GRIPPING** - When used as a non-gripping type, the radial fasteners must not be torqued. When installed as a flexible (non-gripping) product UltraGrip does not prevent pipe pull-out and adequate external restraint has to be provided.



# ULTRAGRIP RILSAN COATED MILD STEEL SUPPORT LINERS FOR PE PIPE - DN900

## INSTALLATION INSTRUCTIONS - English

Fig. 1

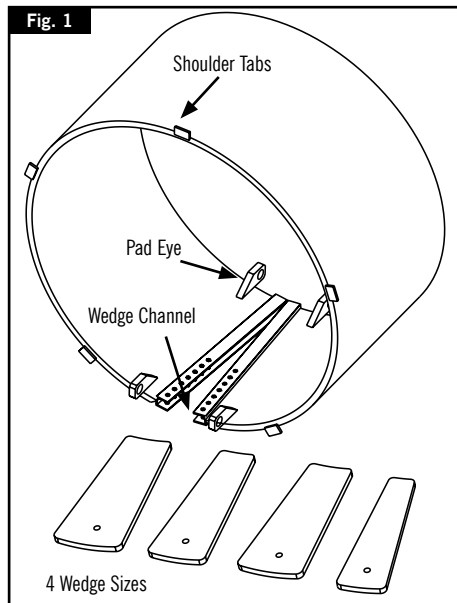


Fig. 2

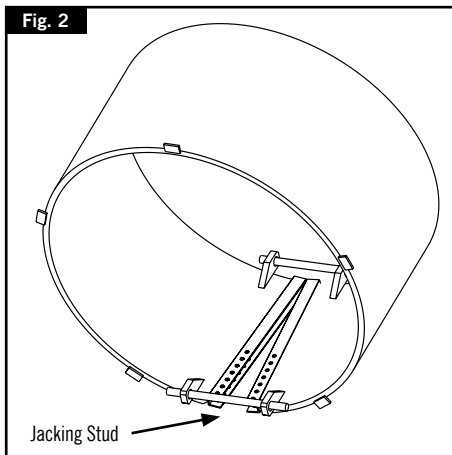


Fig. 4

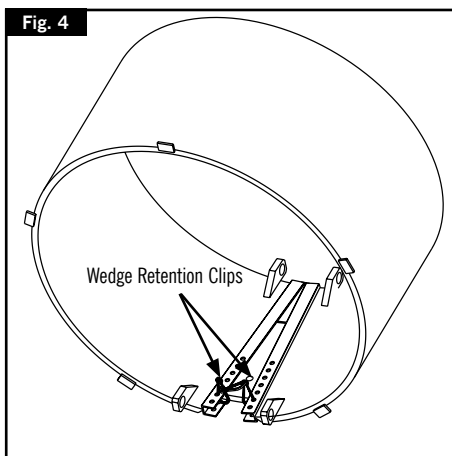
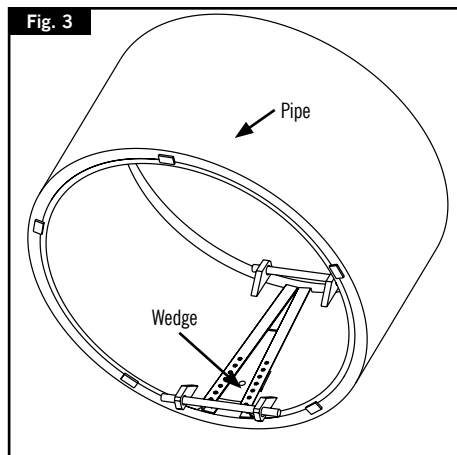


Fig. 3





# ULTRAGRIP RILSAN COATED MILD STEEL SUPPORT LINERS FOR PE PIPE - DN900



## Installation Instructions

1. Check that the support liner and wedges are suitable for pipe OD and wall thickness.
2. Measure bore of pipe and select correct wedge from the set of 4 supplied (See Table 7 for PE).
3. Insert the liner into the bore of the pipe until the shoulder tabs butt against the pipe end.
4. Fit the appropriate jacking stud through the pad eyes in the liner (Fig 2).
5. Using the nuts on the studs, expand the liner until it contacts the pipe bore.
6. Insert the appropriate wedge into the channel of the liner.
7. Tap wedge until liner is fully expanded against pipe bore.(Fig 3)
8. Clip the wedge retention clips in the channel holes closest to the end of the wedge to prevent wedge sliding out.
9. Once the two clips have been inserted, use a third clip to interlock all the clips together. (Fig 4)
10. Slacken off the nuts on the jacking studs and remove jacking studs and nuts.

**WARNING:** Damage to the wedge or liner coating will result into rusting of the product; utmost care must be taken when inserting the wedges in the liners to avoid damaging the coating.

Table 7.

Pipe code	Pipe size	Pipe OD		Pipe ID		Wedge 1				Wedge 2				Wedge 3				Wedge 4			
	(mm)	Min (mm)	Max (mm)	Min (mm)	Max (mm)	Min ID (mm)	Max ID (mm)	Short Edge (mm)	Long Edge (mm)	Min ID (mm)	Max ID (mm)	Short Edge (mm)	Long Edge (mm)	Min ID (mm)	Max ID (mm)	Short Edge (mm)	Long Edge (mm)	Min ID (mm)	Max ID (mm)	Short Edge (mm)	Long Edge (mm)
<b>PE Support Liners</b>																					
900-SDR17	900	900	908.1	783	802	773	782	50	100	783	792	82	132	788	797	98	148	793	802	114	164
900-SDR21	900	900	908.1	805	822	796	804	50	100	805	813	79	129	810	818	94	144	814	822	108	158

# RACCORDS ULTRAGRIP DN900

Matériaux des conduites, profondeurs d'insertion et diamètres des boulons pour produits UltraGrip

Taille nominale	Dia. ext. Plage (mm)	Fixation axiale		Fixation radiale				Intervalle de montage (mm)		Profondeur d'insertion (mm)		Pression d'eau en service		
		Dimension des goujons	Couple de serrage recommandé des boulons (Nm) pour tous les matériaux	Dimension des boulons	Couple de serrage recommandé des boulons (Nm) pour la fonte ductile	Couple de serrage recommandé des boulons (Nm) pour le PE	Couple de serrage recommandé des boulons (Nm) pour l'acier et la fonte*	Couple de serrage recommandé des boulons (Nm) pour le MOPVC	A (min)	B (max)	X (min)	M (max)	Avec ancrage	Sans ancrage
DN900	892 - 927	M20	190-210	M16	S/O	140-150	110-120	S/O	165	375	220	325	16 bar	
DN900	926 - 961	M20	190-210	M16	190 -210	S/O	110-120	S/O	165	375	220	325	16 bar	
DN900	958 - 993	M20	190-210	M16	S/O	S/O	110-120	S/O	165	375	220	325	16 bar	

**AVERTISSEMENT :** Le non-respect des couples de serrage pour les différents matériaux peut entraîner un glissement des conduites et/ou leur détérioration.

Tableau 2.

Matériaux des conduites	Ancrage		Inserts de renfort obligatoires
	Avec ancrage	Sans ancrage	
Acier	✓	✓	
Fonte ductile	✓	✓	
Fonte	✓	✓	
MOPVC	X	X	
PE100	✓	✓	✓
Conduites de protection en polyéthylène	X	X	
Amiante-ciment	X	✓	

## REMARQUES

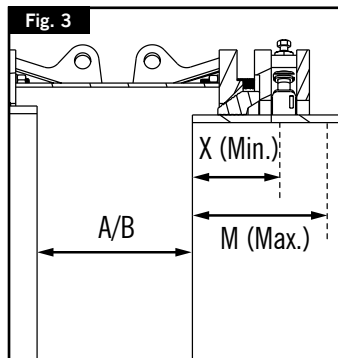
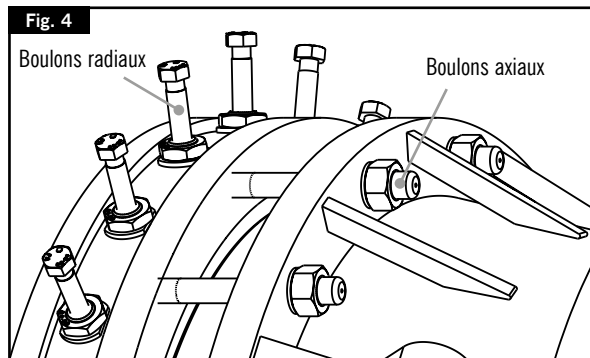
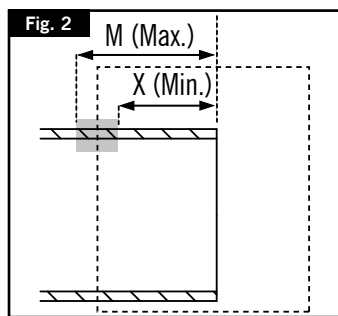
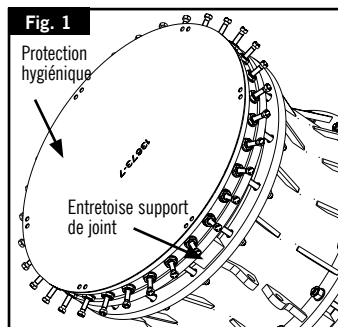
Ces instructions concernent la gamme de raccords UltraGrip conçus pour les matériaux indiqués dans le tableau. Les produits UltraGrip sont fournis entièrement assemblés. Ils sont conçus pour servir de solutions d'ancrage des extrémités de conduite. Ils ne doivent pas être démontés avant d'être installés, sauf lorsqu'ils doivent assurer une fonction flexible (sans ancrage) et par conséquent sans couple de serrage des boulons d'ancrage.

Pression d'essai sur site = 1,5 fois la pression en service.

Toujours retirer les revêtements épais des conduites et les enveloppes de protection.

Une conduite exposée hors sol est soumise aux deux charges exercées par la pression interne d'une part, les variations de température et la dilatation thermique d'autre part. Elles peuvent être bien plus importantes que la pression interne et ne peuvent pas toujours être déterminées en toute sécurité. UltraGrip peut être utilisé dans des applications hors sol, sans exposition à la lumière directe du soleil, dans une plage de température opérationnelle de 40 degrés (entre -20 et +60).

\* Pour les conduites en fonte, le couple de serrage 110-120 suppose que la paroi en fonte a une épaisseur de 32 mm et qu'elle a gardé sa résistance structurelle d'origine. Pour les parois de conduites en fonte moins épaisses, veuillez contacter Viking Johnson qui vous indiquera le couple de serrage recommandé.



# RACCORDS ULTRAGRIP DN900



## Notice de montage

1. Vérifier que le matériau et les dimensions de la conduite conviennent au raccord UltraGrip. Toujours utiliser un insert de renfort avec les conduites PE (Voir les pages 16-17)
2. Vérifiez que les surfaces à l'extrémité des conduites sont propres, sans aucune marque ou rayure, tartre, calaminage, rouille, résidu ou défaut de surface qui pourrait réduire l'efficacité du raccord. Les cordons de soudure doivent être meulés pour créer une surface profilée appropriée. Toujours retirer les revêtements épais des conduites ou les enveloppes de protection. UltraGrip doit toujours être monté sur un matériau nu ou avec une fine couche de peinture.
3. **Avertissement de sécurité** : Les prises de levage fournies (selon les cas) sont conçues ou testées pour soulever uniquement le produit sur lequel elles sont montées. Le non-respect de ces instructions peut provoquer des accidents graves ou mortels, ou des dégâts matériels.

Vous devez avoir l'expérience et la formation nécessaires pour utiliser les accessoires et les systèmes de levage requis. Vous devez déterminer la charge maximale à l'aide de tableaux conformes, ou utiliser des équipements appropriés indiquant la charge maximale autorisée. Inspectez visuellement les accessoires et les systèmes de levage avant toute opération de manipulation ou levage. N'utilisez jamais un équipement défectueux. Vérifiez que l'opération envisagée ne dépassera pas la charge maximale autorisée des équipements. N'utilisez pas un équipement qui n'est pas en bon état, ou au-delà de sa charge maximale autorisée. Il devra alors être vérifié et recertifié conforme par un technicien spécialisé. Les opérations de circulation, manipulation et levage doivent uniquement être préparées et réalisées par un personnel compétent et spécialement formé. Cette formation doit être fournie par un prestataire réputé. Ne jamais passer sous une charge. Ne jamais passer une charge au-dessus d'une personne.

4. Pour éviter tout risque de contamination, chaque raccord UltraGrip est doté d'un bouchon de protection hygiénique (combinant une attache biodégradable et un carton hydrofuge et biodégradable). Cette protection doit être retirée avant le montage. (Fig. 1). L'entretoise support de joint (Fig. 1) ne doit pas être retirée pour l'instant.
5. Pour une installation correcte, marquez sur toute la circonférence des deux extrémités de la conduite les profondeurs d'insertion minimale et maximale (voir Tableau 1) comme indiqué sur la Fig. 2.
6. Alignez la conduite à poser avec la conduite en place. Vérifiez que leurs extrémités sont concentriques, en ajustant le support ou le lit de la tranchée, selon les besoins.
7. Insérez le raccord mécanique sur un bout mâle de la conduite. Une fois le raccord inséré sur la conduite, repositionnez-le pour centrer sa partie mécanique sur l'intervalle qui sépare les deux conduites. Positionnez les conduites pour obtenir la distance entre le point X (min) et le point M (max), comme indiqué sur la Fig. 3 en respectant les profondeurs obtenues à partir du Tableau 1. Faites les ajustements éventuellement nécessaires. Vérifiez que les extrémités des deux conduites et le raccord sont centrés sur un axe identique. Utilisez des supports selon les besoins.
8. Tous les raccords UltraGrip DN900 comportent une entretoise support de joint (Fig.1) qui assure la stabilité de leur contre-bride pendant le transport. Cette protection doit être retirée juste avant cette étape du montage.
9. Serrez les écrous diamétralement opposés des fixations axiales (comme indiqué sur la Fig. 4). Ne faites pas plus d'un ou deux tours à la fois pour tirer progressivement et de manière uniforme sur la contre-bride. Serrez tous les écrous autant de fois que nécessaire pour obtenir le couple de serrage requis (Voir Tableau 1) Lorsque vous avez terminé le serrage, vous devez constater un intervalle radial uniforme entre la conduite et la contre-bride du raccord. La totalité de la ligne M (max) doit être visible. Aucune partie de la ligne X (min) ne doit être visible.
10. Choisissez maintenant le type de raccord nécessaire : AVEC OU SANS ANCRAGE :
  - a. **AVEC ANCRAGE** - Lorsque l'ancrage est requis, serrez les boulons diamétralement opposés des fixations radiales conformément à la Fig. 4. Faites seulement un ou deux tours à la fois pour engager uniformément les griffes d'ancrage. Serrez tous les écrous autant de fois que nécessaire pour obtenir le couple requis (voir le Tableau 1).
  - b. **SANS ANCRAGE** - Si vous n'utilisez pas le mécanisme d'ancrage, vous ne devez pas appliquer un couple de serrage sur les fixations radiales. Lorsqu'il est installé en mode flexible, sans utiliser le mécanisme d'ancrage, UltraGrip n'empêche pas le déboîtement de la conduite. Dans ce cas, une retenue externe appropriée doit être mise en place.

# ADAPTATEURS À BRIDE ULTRAGRIP PN16 DN900

Matériaux des conduites, profondeurs d'insertion et diamètres des boulons pour produits UltraGrip

Tableau 3.

Taille nominale	Dia. ext. Plage (mm)	Bride Nom Dimension	Fixation axiale		Fixation radiale					Intervalle de montage (mm)		Profondeur d'insertion (mm)		Pression d'eau en service	
			Dimension des goujons	Couple de serrage recommandé des boulons (Nm) pour tous les matériaux	Dimension des boulons	Couple de serrage recommandé des boulons (Nm) pour la fonte ductile	Couple de serrage recommandé des boulons (Nm) pour le PE	Couple de serrage recommandé des boulons (Nm) pour l'acier et la fonte*	Couple de serrage recommandé des boulons (Nm) pour le MOPVC	A (min)	B (max)	X (min)	M (max)	Avec ancrage	Sans ancrage
DN900	892-927	800	M20	190-210	M16	S/O	140-150	110-120	S/O	540	565	220	245	16 bar	
DN900	892-927	900	M20	190-210	M16	S/O	140-150	110-120	S/O	300	325	220	245	16 bar	
DN900	926-961	900	M20	190-210	M16	190-210	S/O	110-120	S/O	500	525	220	245	16 bar	
DN900	958-993	900	M20	190-210	M16	S/O	S/O	110-120	S/O	500	525	220	245	16 bar	

**AVERTISSEMENT :** Le non-respect des couples de serrage pour les différents matériaux peut entraîner un glissement des conduites et/ou leur détérioration.

Tableau 4.

Matériaux des conduites	Ancrage	Sans-ancrage	Inserts de renfort obligatoires
Acier	✓	✓	
Fonte ductile	✓	✓	
Fonte	✓	✓	
MOPVC	X	X	
PE100	✓	✓	✓
Conduites de protection en polyéthylène	X	X	
Amiante-ciment	X	✓	

## REMARQUES

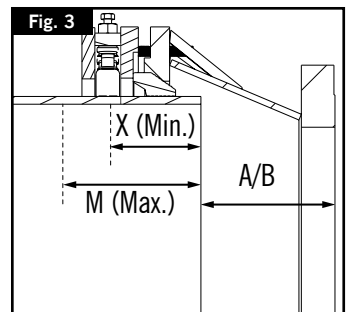
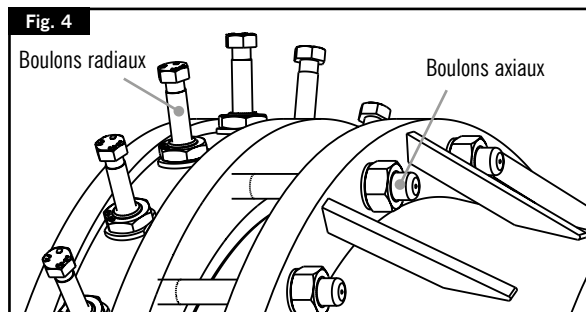
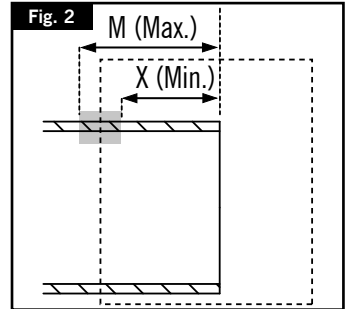
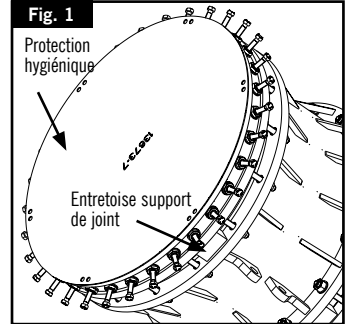
Ces instructions concernent la gamme des adaptateurs à bride UltraGrip conçus pour les matériaux indiqués dans le tableau. Les produits UltraGrip sont fournis entièrement assemblés. Ils sont conçus pour servir de solutions d'ancrage des extrémités de conduite. Ils ne doivent pas être démontés avant d'être installés, sauf lorsqu'ils doivent assurer une fonction flexible (sans ancrage) et par conséquent sans couple de serrage des boulons d'ancrage.

Pression d'essai sur site = 1,5 fois la pression en service.

Toujours retirer les revêtements épais des conduites et les enveloppes de protection.

Une conduite exposée hors sol est soumise aux deux charges exercées par la pression interne d'une part, les variations de température et la dilatation thermique d'autre part. Elles peuvent être bien plus importantes que la pression interne et ne peuvent pas toujours être déterminées en toute sécurité. UltraGrip peut être utilisé dans des applications hors sol, sans exposition à la lumière directe du soleil, dans une plage de température opérationnelle de 40 degrés (entre -20 et +60).

\* Pour les conduites en fonte, le couple de serrage 110-120 suppose que la paroi en fonte a une épaisseur de 32 mm et qu'elle a gardé sa résistance structurelle d'origine. Pour les parois de conduites en fonte moins épaisses, veuillez contacter Viking Johnson qui vous indiquera le couple de serrage recommandé.



# ADAPTATEURS À BRIDE ULTRAGRIP PN16 DN900

## Notice de montage

1. Vérifiez que le matériau et les dimensions de la conduite conviennent à l'adaptateur à bride UltraGrip. Toujours utiliser un insert de renfort avec les conduites PE (Voir les pages 16-17)
2. Vérifiez que les surfaces à l'extrémité des conduites sont propres, sans aucune marque ou rayure, tartre, calaminage, rouille, résidu ou défaut de surface qui pourrait réduire l'efficacité du raccord. Les cordons de soudure doivent être meulés pour créer une surface profilée appropriée. Toujours retirer les revêtements épais des conduites ou les enveloppes de protection. UltraGrip doit toujours être monté sur un matériau nu ou avec une fine couche de peinture.
3. **Avertissement de sécurité** : Les prises de levage fournies (selon les cas) sont conçues ou testées pour soulever uniquement le produit sur lequel elles sont montées. Le non-respect de ces instructions peut provoquer des accidents graves ou mortels, ou des dégâts matériels. Vous devez avoir l'expérience et la formation nécessaires pour utiliser les accessoires et les systèmes de levage requis.

Vous devez déterminer la charge maximale à l'aide de tableaux conformes, ou utiliser des équipements appropriés indiquant la charge maximale autorisée. Inspectez visuellement les accessoires et les systèmes de levage avant toute opération de manipulation ou levage. N'utilisez jamais un équipement défectueux. Vérifiez que l'opération envisagée ne dépassera pas la charge maximale autorisée des équipements. N'utilisez pas un équipement qui n'est pas en bon état, ou au-delà de sa charge maximale autorisée. Il devra alors être vérifié et recertifié conforme par un technicien spécialisé. Les opérations de circulation, manipulation et levage doivent uniquement être préparées et réalisées par un personnel compétent et spécialement formé. Cette formation doit être fournie par un prestataire réputé. Ne jamais passer sous une charge. Ne jamais passer une charge au-dessus d'une personne.

4. Pour éviter tout risque de contamination, chaque adaptateur à bride UltraGrip est doté d'un bouchon de protection hygiénique (combinant une attache biodégradable et un carton hydrofuge et biodégradable). Cette protection doit être retirée avant le montage (Fig. 1). L'entretoise support de joint (Fig. 1) ne doit pas être retirée pour l'instant.
5. Pour une installation correcte, marquez sur toute la circonférence des deux extrémités de la conduite les profondeurs d'insertion minimale et maximale (voir Tableau 3) comme indiqué sur la Fig. 2.
6. Placez l'adaptateur à bride UltraGrip sur l'extrémité de la conduite. Alignez la conduite et l'adaptateur à bride UltraGrip sur la bride de raccordement. Posez le joint de bride (Viking Johnson recommande l'utilisation d'un joint IBC pour une étanchéité optimale). Vérifiez que la conduite est insérée à une profondeur comprise entre les limites X (min) et M (max), comme indiqué à la Fig. 3, en utilisant les profondeurs obtenues à partir du Tableau 3. Effectuez les ajustements éventuellement nécessaires. Serrez les boulons de fixation de la bride selon les procédures standard. Si le raccord mécanique est installé sur une conduite à extrémité lisse. L'extrémité du produit doit être positionnée entre les limites de profondeur d'insertion X (min) et M (max). (Voir le Tableau 3).
7. Tous les adaptateurs à bride UltraGrip DN900-1 comportent une entretoise support de joint (Fig.1) qui assure la stabilité de leur contre-bride pendant le transport. Cette protection doit être retirée juste avant cette étape de montage.
8. Serrez les écrous diamétralement opposés des fixations axiales (comme indiqué sur la Fig. 4). Ne faites pas plus d'un ou deux tours à la fois pour tirer progressivement et de manière uniforme sur la contre-bride. Serrez tous les écrous autant de fois que nécessaire pour obtenir le couple de serrage requis (Voir Tableau 3). Lorsque vous avez terminé le serrage, vous devez constater un intervalle radial uniforme entre la conduite et la contre-bride du raccord. La totalité de la ligne M (max) doit être visible. Aucune partie de la ligne X (min) ne doit être visible.
9. Choisissez maintenant le type de raccord nécessaire : AVEC OU SANS ANCRAGE :
  - a. **AVEC ANCRAGE** - Lorsque l'ancrage est requis, serrez les boulons diamétralement opposés des fixations radiales conformément à la Fig. 4. Faites seulement un ou deux tours à la fois pour engager uniformément les griffes d'ancrage. Serrez tous les boulons autant de fois que nécessaire pour obtenir le couple requis (voir le Tableau 3).
  - b. **SANS ANCRAGE** - Si vous n'utilisez pas le mécanisme d'ancrage, vous ne devez pas appliquer un couple de serrage sur les fixations radiales. Lorsqu'il est installé en mode flexible, sans utiliser le mécanisme d'ancrage, UltraGrip n'empêche pas le déboîtement de la conduite. Dans ce cas, une retenue externe appropriée doit être mise en place.



# ADAPTATEURS À BRIDE ULTRAGRIP PN10 DN900

Matériaux des conduites, profondeurs d'insertion et diamètres des boulons pour produits UltraGrip

Tableau 5.

Taille nominale	Dia. ext. Plage (mm)	Bride Nom Dimension	Fixation axiale		Fixation radiale					Intervalle de montage (mm)		Profondeur d'insertion (mm)		Pression d'eau en service	
			Dimension des goujons	Couple de serrage recommandé des boulons (Nm) pour tous les matériaux	Dimension des boulons	Couple de serrage recommandé des boulons (Nm) pour la fonte ductile	Couple de serrage recommandé des boulons (Nm) pour le PE	Couple de serrage recommandé des boulons (Nm) pour l'acier et la fonte*	Couple de serrage recommandé des boulons (Nm) pour le MOPVC	A (min)	B (max)	X (min)	M (max)	Avec ancrage	Sans ancrage
DN900	892-927	800	M20	190-210	M16	S/O	140-150	110-120	S/O	525	550	220	245	10 bar	
DN900	892-927	900	M20	190-210	M16	S/O	140-150	110-120	S/O	280	305	220	245	10 bar	
DN900	926-961	900	M20	190-210	M16	190-210	S/O	110-120	S/O	380	405	220	245	10 bar	
DN900	958-993	900	M20	190-210	M16	S/O	S/O	110-120	S/O	430	455	220	245	10 bar	

**AVERTISSEMENT :** Le non-respect des couples de serrage pour les différents matériaux peut entraîner un glissement des conduites et/ou leur détérioration.

Tableau 6.

Matériaux des conduites	Ancrage		Inserts de renfort obligatoires
	Avec ancrage	Sans ancrage	
Acier	✓	✓	
Fonte ductile	✓	✓	
Fonte	✓	✓	
MOPVC	✗	✗	
PE100	✓	✓	✓
Conduites de protection en polyéthylène	✗	✗	
Amiante-ciment	✗	✓	

## REMARQUES

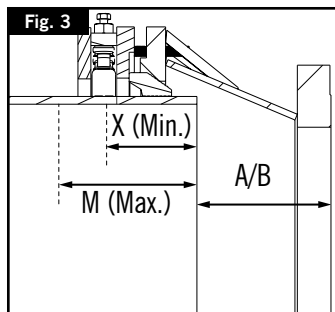
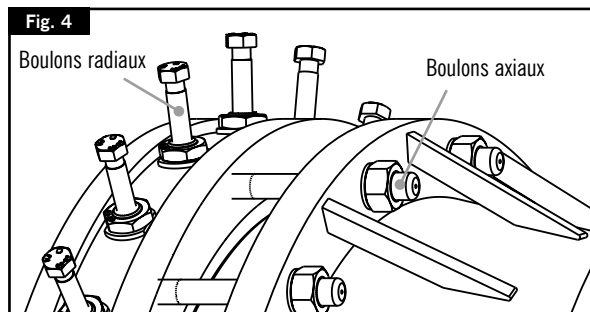
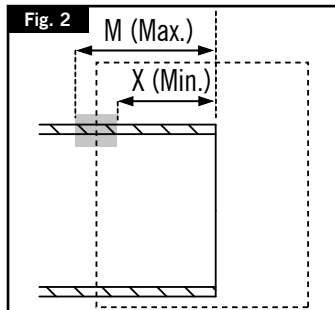
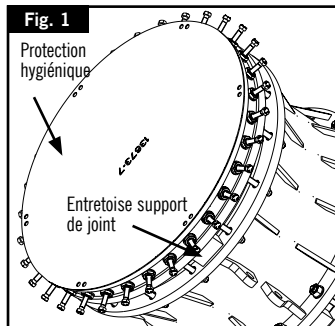
Ces instructions concernent la gamme des adaptateurs à bride UltraGrip conçus pour les matériaux indiqués dans le tableau. Les produits UltraGrip sont fournis entièrement assemblés. Ils sont conçus pour servir de solutions d'ancrage des extrémités de conduite. Ils ne doivent pas être démontés avant d'être installés, sauf lorsqu'ils doivent assurer une fonction flexible (sans ancrage) et par conséquent sans couple de serrage des boulons d'ancrage.

Pression d'essai sur site = 1,5 fois la pression en service.

Toujours retirer les revêtements épais des conduites et les enveloppes de protection.

Une conduite exposée hors sol est soumise aux deux charges exercées par la pression interne d'une part, les variations de température et la dilatation thermique d'autre part. Elles peuvent être bien plus importantes que la pression interne et ne peuvent pas toujours être déterminées en toute sécurité. UltraGrip peut être utilisé dans des applications hors sol, sans exposition à la lumière directe du soleil, dans une plage de température opérationnelle de 40 degrés (entre -20 et +60).

\* Pour les conduites en fonte, le couple de serrage 110-120 suppose que la paroi en fonte a une épaisseur de 32 mm et qu'elle a gardé sa résistance structurelle d'origine. Pour les parois de conduites en fonte moins épaisses, veuillez contacter Viking Johnson qui vous indiquera le couple de serrage recommandé.



# ADAPTATEURS À BRIDE ULTRAGRIP PN10 DN900

## Notice de montage

1. Vérifiez que le matériau et les dimensions de la conduite conviennent à l'adaptateur à bride UltraGrip. Toujours utiliser un insert de renfort avec les conduites PE (Voir les pages 16-17)
2. Vérifiez que les surfaces à l'extrémité des conduites sont propres, sans aucune marque ou rayure, tartre, calaminage, rouille, résidu ou défaut de surface qui pourrait réduire l'efficacité du raccord. Les cordons de soudure doivent être meulés pour créer une surface profilée appropriée. Toujours retirer les revêtements épais des conduites ou les enveloppes de protection. UltraGrip doit toujours être monté sur un matériau nu ou avec une fine couche de peinture.
3. **Avertissement de sécurité** : Les prises de levage fournies (selon les cas) sont conçues ou testées pour soulever uniquement le produit sur lequel elles sont montées. Le non-respect de ces instructions peut provoquer des accidents graves ou mortels, ou des dégâts matériels. Vous devez avoir l'expérience et la formation nécessaires pour utiliser les accessoires et les systèmes de levage requis.

Vous devez déterminer la charge maximale à l'aide de tableaux conformes, ou utiliser des équipements appropriés indiquant la charge maximale autorisée. Inspectez visuellement les accessoires et les systèmes de levage avant toute opération de manipulation ou levage. N'utilisez jamais un équipement défectueux. Vérifiez que l'opération envisagée ne dépassera pas la charge maximale autorisée des équipements. N'utilisez pas un équipement qui n'est pas en bon état, ou au-delà de sa charge maximale autorisée. Il devra alors être vérifié et recertifié conforme par un technicien spécialisé. Les opérations de circulation, manipulation et levage doivent uniquement être préparées et réalisées par un personnel compétent et spécialement formé. Cette formation doit être fournie par un prestataire réputé. Ne jamais passer sous une charge. Ne jamais passer une charge au-dessus d'une personne.

4. Pour éviter tout risque de contamination, chaque adaptateur à bride UltraGrip est doté d'un bouchon de protection hygiénique (combinant une attache biodégradable et un carton hydrofuge et biodégradable). Cette protection doit être retirée avant le montage (Fig. 1). L'entretoise support de joint (Fig. 1) ne doit pas être retirée pour l'instant.
5. Pour une installation correcte, marquez sur toute la circonférence des deux extrémités de la conduite les profondeurs d'insertion minimale et maximale (voir Tableau 5) comme indiqué sur la Fig. 2.
6. Placez l'adaptateur à bride UltraGrip sur l'extrémité de la conduite. Alignez la conduite et l'adaptateur à bride UltraGrip sur la bride de raccordement. Posez le joint de bride (Viking Johnson recommande l'utilisation d'un joint IBC pour une étanchéité optimale). Vérifiez que la conduite est insérée à une profondeur comprise entre les limites X (min) et M (max), comme indiqué à la Fig. 3, en utilisant les profondeurs obtenues à partir du Tableau 5. Effectuez les ajustements éventuellement nécessaires. Serrez les boulons de fixation de la bride selon les procédures standard. Si le raccord mécanique est installé sur une conduite à extrémité lisse. L'extrémité du produit doit être positionnée entre les limites de profondeur d'insertion X (min) et M (max). (Voir le Tableau 5).
7. Tous les adaptateurs à bride UltraGrip DN900-1 comportent une entretoise support de joint (Fig.1) qui assure la stabilité de leur contre-bride pendant le transport. Cette protection doit être retirée juste avant cette étape de montage.
8. Serrez les écrous diamétralement opposés des fixations axiales (comme indiqué sur la Fig. 4). Ne faites pas plus d'un ou deux tours à la fois pour tirer progressivement et de manière uniforme sur la contre-bride. Serrez tous les écrous autant de fois que nécessaire pour obtenir le couple de serrage requis (Voir Tableau 5). Lorsque vous avez terminé le serrage, vous devez constater un intervalle radial uniforme entre la conduite et la contre-bride du raccord. La totalité de la ligne M (max) doit être visible. Aucune partie de la ligne X (min) ne doit être visible.
9. Choisissez maintenant le type de raccord nécessaire : AVEC OU SANS ANCRAGE :
  - a. **AVEC ANCRAGE** - Lorsque l'ancrage est requis, serrez les boulons diamétralement opposés des fixations radiales conformément à la Fig. 4. Faites seulement un ou deux tours à la fois pour engager uniformément les griffes d'ancrage. Serrez tous les boulons autant de fois que nécessaire pour obtenir le couple requis (voir le Tableau 5).
  - b. **SANS ANCRAGE** - Si vous n'utilisez pas le mécanisme d'ancrage, vous ne devez pas appliquer un couple de serrage sur les fixations radiales. Lorsqu'il est installé en mode flexible, sans utiliser le mécanisme d'ancrage, UltraGrip n'empêche pas le déboîtement de la conduite. Dans ce cas, une retenue externe appropriée doit être mise en place.



# INSERTS DE RENFORT EN ACIER DOUX AVEC REVÊTEMENT RILSAN - ULTRAGRIP POUR PE - DIMENSIONS DN900

Fig. 1

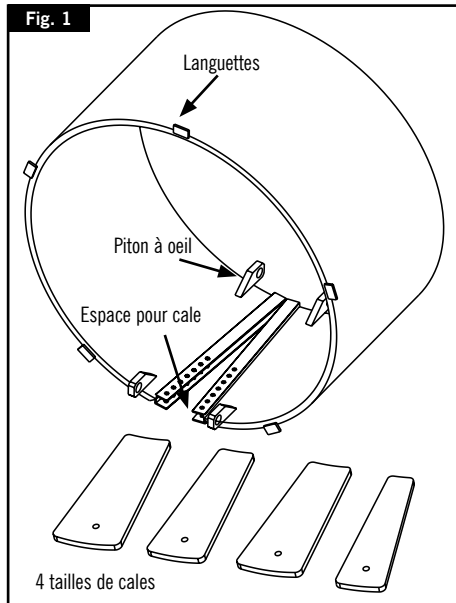


Fig. 2

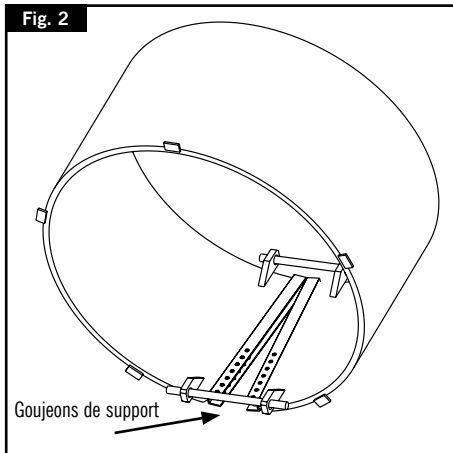


Fig. 4

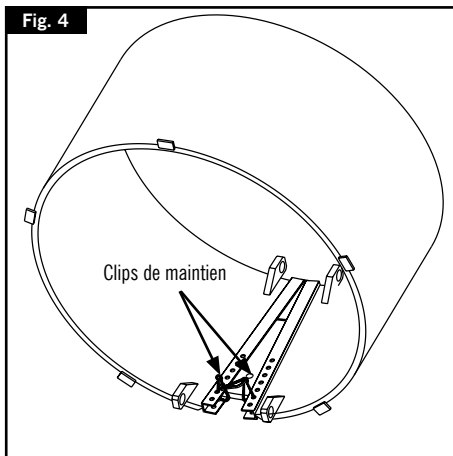
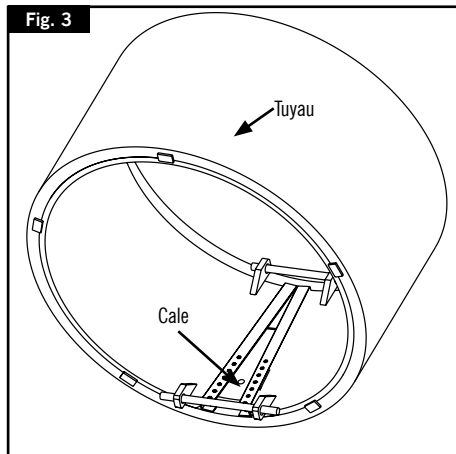


Fig. 3





# INSERTS DE RENFORT EN ACIER DOUX AVEC REVÊTEMENT RILSAN - ULTRAGRIP POUR PE - DIMENSIONS DN900



## Notice de montage

1. Vérifiez que l'insert et les cales correspondent au diamètre extérieur et à l'épaisseur de la paroi de la conduite.
2. Mesurez le diamètre interne de la conduite et sélectionnez la cale appropriée parmi les 4 cales fournies (Voir le tableau 9 pour le PE).
3. Introduisez l'insert jusqu'à appuyer son épaulement sur le bord de la conduite.
4. Insérer les goujons requis dans les boulons à œil (Fig. 2).
5. Ecarter l'insert en serrant les vis sur les jougeons jusqu'à ce que l'insert soit en contact avec la paroi du tuyau.
6. Introduisez la cale dans les rainures de l'insert.
7. Tapez sur la cale jusqu'à ce que l'insert s'élargisse au maximum et s'appuie contre la paroi de la conduite (Fig. 3).
8. Attacher les clips de maintien sur les goujons situés à l'extrémité de la cale pour éviter qu'elle se retire.
9. Une fois les deux clips de maintien mis en place, utiliser le troisième clip pour maintenir leur position (Fig. 4).
10. Dévissez les écrous des goujons de support et sortez-les des boulons à œil.

**ATTENTION:** Un insert endommagé (cale ou revêtement) va faire rouiller le produit. Il faut positionner les inserts avec prudence pour éviter d'endommager le revêtement.

Tableau 7.

Code de conduite	Dimension		Dia. ext. cond.		Dia. int. cond.		Cale 1				Cale 2				Cale 3				Cale 4			
	(mm)	(mm)	Min. (mm)	Max. (mm)	Min. (mm)	Max. (mm)	Dia. int. min. (mm)	Dia. int. max. (mm)	Cale courte (mm)	Cale longue (mm)	Dia. int. min. (mm)	Dia. int. max. (mm)	Cale courte (mm)	Cale longue (mm)	Dia. int. min. (mm)	Dia. int. max. (mm)	Cale courte (mm)	Cale longue (mm)	Dia. int. min. (mm)	Dia. int. max. (mm)	Cale courte (mm)	Cale longue (mm)
Inserts de renfort PE																						
900-SDR17	900	900	908.1	783	802	773	782	50	100	783	792	82	132	788	797	98	148	793	802	114	164	
900-SDR21	900	900	908.1	805	822	796	804	50	100	805	813	79	129	810	818	94	144	814	822	108	158	

# ULTRAGRIP KUPPLUNGEN DN900

Rohrwerkstoffe, Einsetztiefe und Schraubendurchmesser für UltraGrip-Produkte

Tabelle 1.

Nennweite	Außendurchmesser (mm)	Axiale Befestigung		Radiale Befestigung					Rohrendenabstand (mm)		Einsetztiefe (mm)		Druckbelastbarkeit bei Wasser	
		Bolzengröße	Empfohlenes Anzugsmoment (Nm) für alle Materialien	Schraubengröße	Empfohlenes Anzugsmoment (Nm) für Duktiguss	Empfohlenes Anzugsmoment (Nm) für PE	Empfohlenes Anzugsmoment (Nm) für Stahl & Gusseisen*	Empfohlenes Anzugsmoment (Nm) für PVC-O	A (Min.)	B (Max.)	X (Min.)	M (Max.)	Zugfestes Produkt	Zugfestes Produkt
DN900	892 - 927	M20	190-210	M16	N/V	140-150	110-120	N/V	165	375	220	325	16 bar	
DN900	926 - 961	M20	190-210	M16	190 -210	N/V	110-120	N/V	165	375	220	325	16 bar	
DN900	958 - 993	M20	190-210	M16	N/V	N/V	110-120	N/V	165	375	220	325	16 bar	

**ACHTUNG:** Die Nichtbeachtung der Anzugsmomente für unterschiedliche Rohrwerkstoffe kann zu Schlupf und/oder Rohrschaden führen.

Tabelle 2.

Rohrwerkstoffe	Zugfest	Nicht zugfest	Stützring erforderlich
Stahl	✓	✓	
Duktiguss	✓	✓	
Gusseisen	✓	✓	
PVC-O	✗	✗	
PE100	✓	✓	✓
PE-Schutzmantelrohr	✗	✗	
Fasorzement	✗	✓	

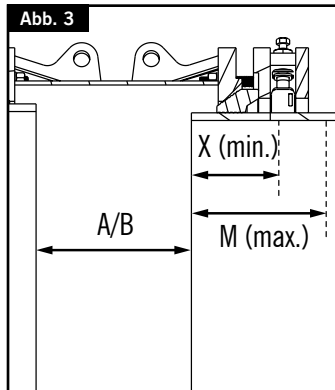
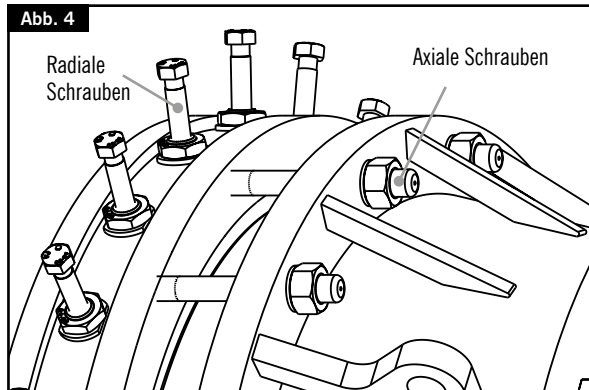
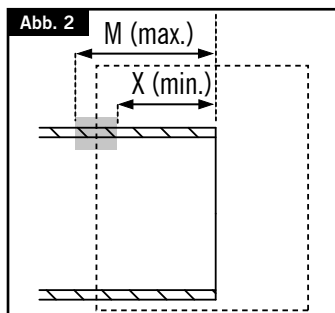
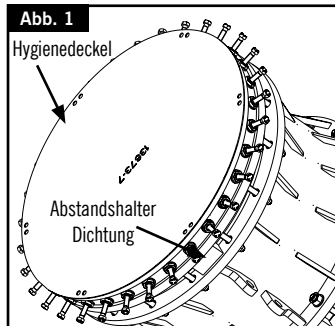
## ANMERKUNGEN

Diese Anweisungen gelten für Verbindungselemente von UltraGrip zur Anwendung mit den in der Tabelle aufgeführten Rohrwerkstoffen. UltraGrip wird vollständig zusammengebaut zur Anwendung als Endverbindung (zugfest) geliefert. Das Produkt sollte vor der Installation nicht demontiert werden, sofern es nicht als flexibles (nicht zugfestes) Produkt verwendet wird. In diesem Fall sollten die Greifschrauben nicht festgedreht werden.

Montagetestdruck = 1,5 x Betriebsdruck  
 Dicke Rohrbeschichtungen und Schutzmantelungen müssen immer entfernt werden.

Oberirdische Rohrleitungen sind Lasten durch den Innendruck und solchen aus Temperaturveränderungen / Wärmeausdehnung ausgesetzt. Letztere können deutlich höher ausfallen als die durch Innendruck und können nicht immer sicher bestimmt werden. UltraGrip ist für oberirdische Anwendungen geeignet, sofern das Produkt keinem direkten Sonnenlicht ausgesetzt ist und die Temperaturen innerhalb der 40-Grad-Betriebsspanne liegen (zwischen -20 und 60).

\*Die Drehmomentangabe von 110-120 für Rohre aus Gusseisen bezieht sich auf eine Gusseisenstärke von 32 mm bei Bedingungen, zu denen die Strukturfestigkeit nicht beeinträchtigt ist. Wenden Sie sich für Angaben zu dünneren Rohren aus Gusseisen bitte an Viking Johnson für Empfehlungen zum Drehmoment.



# ULTRAGRIP KUPPLUNGEN DN900



## Montageanleitung

1. Stellen Sie sicher, dass der Rohrwerkstoff und die Größe zur UltraGrip Kupplung passen. Verwenden Sie bei PE immer einen Stützring. (Siehe Seiten 24-25)
2. Prüfen Sie die Rohrenden und stellen Sie sicher, dass die Oberflächen sauber und frei von Riefen, Kesselstein, Rost oder anderen losen Ablagerungen bzw. anderen Oberflächenmängeln sind, welche die Passform beeinträchtigen könnten. Schweißnähte müssen geschliffen werden, um das korrekte Oberflächenprofil zu erhalten. Dicke Rohrbeschichtungen oder Ummantelungen müssen immer entfernt werden. UltraGrip muss entweder direkt auf der Rohroberfläche oder auf einem dünnen Lackfilm aufliegen.
3. **Gefahrenhinweis:** Sofern mitgeliefert sind die Hebeösen nur für das Produkt, an dem sie angebracht sind, geeignet/getestet. Die Nichtbeachtung dieser Anweisungen kann zu schweren Verletzungen oder Tod bzw. Sachschaden führen.

Stellen Sie sicher, dass Sie zur Anwendung der Hebevorrichtung und deren Zubehör qualifiziert, geschult und mit ihr vertraut sind. Stellen Sie sicher, dass die korrekte Ausrüstung verwendet wird und mit der Betriebslastgrenze gekennzeichnet ist bzw. Tabellen zu deren Bestimmung vorliegen. Führen Sie vor Einsatz eine Sichtprüfung der Hebevorrichtung und deren Zubehör durch und entfernen Sie mangelhafte Teile. Betätigen Sie die Vorrichtung nur innerhalb der Betriebslastgrenze. Verwenden Sie keine defekte Ausrüstung oder betreiben sie außerhalb der Betriebslastgrenze. Defekte Ausrüstung muss von einer Kontrollfachkraft untersucht und erneut zertifiziert werden. Agieren Sie nur dann als Anschläger oder Einweiser, wenn Sie über die erforderliche Zertifizierung und Schulung verfügen. Diese müssen von einem anerkannten Ausbilder stammen. Bewegen Sie sich nicht unter einer Last oder schwenken diese über eine Person.

4. Alle UltraGrip Kupplungen sind zur Vermeidung von Kontaminierung mit Hygieneschutzkappen (aus biologisch abbaubaren Verschlüssen und biologisch abbaubarer wasserfester Pappe) ausgestattet. Diese müssen vor der Anbringung entfernt werden (Abb. 1). Der Abstandshalter der Dichtung (Abb. 1) wird an diesem Punkt NICHT entfernt.
5. Bringen Sie für eine korrekte Montage entlang des gesamten Umfangs beider Rohrenden eine Markierung für die minimale und maximale Einsetztiefe aus Tabelle 1 an (siehe Abb. 2).
6. Bringen Sie das Rohr entsprechend des bereits positionierten Rohrs in Position. Die Rohrenden müssen dabei konzentrisch sein. Passen Sie bei Bedarf den Stützring oder Rohrgraben an.
7. Bringen Sie die mechanische Verbindung an den Spitzenden der Rohre an. Positionieren Sie die Verbindung anschließend so, dass der mechanische Anschluss mittig über der Lücke zwischen den Rohren ist. Bringen Sie die Rohre in einen Abstand zwischen X (Min.) und M (Max.) (siehe Abb. 3). Die Werte können Sie Tabelle 1 entnehmen. Führen Sie eventuell notwendige Anpassungen durch. Stellen Sie sicher, dass die zwei Rohrenden und die Verbindung auf der gleichen Mittellinie sind. Verwenden Sie bei Bedarf Stützen.
8. Alle UltraGrip Kupplungen für DN900 sind mit Abstandshaltern für Dichtungen (Abb. 1) ausgestattet. Diese verhindern, dass die Folgeringe beim Transport einfallen. Diese müssen jetzt vor der Anbringung entfernt werden.
9. Ziehen Sie wie in Abb. 4 die diametral entgegengesetzten Muttern der axialen Befestigung fest. Führen Sie dabei pro Mutter jeweils ein bis zwei Umdrehungen durch, um den Folgering gleichmäßig anzuziehen. Alle Muttern müssen so oft wie nötig angezogen werden, um das erforderliche Drehmoment zu erreichen (siehe Tabelle 1). Anschließend sollte zwischen dem Rohr und dem Folgering ein gleichmäßiger radialer Spalt sein, wobei die M (Max.)-Linie vollständig sichtbar und die X (Min.)-Linie vollständig abgedeckt sind.
10. Entscheiden Sie jetzt über die Art der Verbindung: ZUGFEST oder NICHT ZUGFEST:-
  - a. **ZUGFEST** – Bei Einsatz als zugfeste Verbindung ziehen Sie jetzt die diametral entgegengesetzten Schrauben der radialen Befestigung fest (siehe Abb. 4). Führen Sie jeweils ein bis zwei Umdrehungen durch, damit die Greifer gleichmäßig angezogen werden. Alle Muttern müssen so oft wie nötig angezogen werden, um das erforderliche Drehmoment zu erreichen (siehe Tabelle 1).

**b. NICHT ZUGFEST** – Bei Einsatz als nicht zugfeste Verbindung müssen die radialen Befestigungen nicht angezogen werden. Bei Installation als flexible (nicht zugfeste) Verbindung verhindert die UltraGrip das Herausziehen des Rohres nicht. Es müssen entsprechend externe Halterungen angebracht werden.

# ULTRAGRIP-FLANSCHADAPTER PN16 DN900

Rohrwerkstoffe, Einsetztiefe und Schraubendurchmesser für UltraGrip-Produkte

Table 3.

Nennweite	Außendurchmesser (mm)	Flansch Nennweite	Axiale Befestigung		Radiale Befestigung					Rohrendenabstand (mm)		Einsetztiefe (mm)		Druckbelastbarkeit bei Wasser	
			Bolzengröße	Empfohlenes Anzugsmoment (Nm) für alle Materialien	Schraubengröße	Empfohlenes Anzugsmoment (Nm) für Duktiguss	Empfohlenes Anzugsmoment (Nm) für PE	Empfohlenes Anzugsmoment (Nm) für Stahl & Gusseisen*	Empfohlenes Anzugsmoment (Nm) für PVC-0	A (Min.)	B (Max.)	X (Min.)	M (Max.)	Zugfestes Produkt	Flexibles Produkt
DN900	892-927	800	M20	190-210	M16	N/V	140-150	110-120	N/V	540	565	220	245	16 bar	
DN900	892-927	900	M20	190-210	M16	N/V	140-150	110-120	N/V	300	325	220	245	16 bar	
DN900	926-961	900	M20	190-210	M16	190-210	N/V	110-120	N/V	500	525	220	245	16 bar	
DN900	958-993	900	M20	190-210	M16	N/V	N/V	110-120	N/V	500	525	220	245	16 bar	

**ACHTUNG:** Die Nichtbeachtung der Anzugsmomente für unterschiedliche Rohrwerkstoffe kann zu Schlupf und/oder Rohrschaden führen.

Tabelle 4.

Rohrwerkstoffe	Zugfest	Nicht zugfest	Stützring erforderlich
Stahl	✓	✓	
Duktiguss	✓	✓	
Gusseisen	✓	✓	
PVC-0	X	X	
PE100	✓	✓	✓
PE-Schutzmantelrohr	X	X	
Faserzement	X	✓	

### ANMERKUNGEN

Diese Anweisungen gelten für Flanschadapter von UltraGrip zur Anwendung mit den in der Tabelle aufgeführten Rohrwerkstoffen. UltraGrip wird vollständig zusammengebaut zur Anwendung als Endverbindung (zugfest) geliefert. Das Produkt sollte vor der Installation nicht demontiert werden, sofern es nicht als flexibles (nicht zugfestes) Produkt verwendet wird. In diesem Fall sollten die Greifschrauben nicht festgedreht werden.

Montagetestdruck = 1,5 x Betriebsdruck

Dicke Rohrbeschichtungen und Schutzmantelungen müssen immer entfernt werden.

Oberirdische, freiliegende Rohrleitungen sind Lasten durch den Innendruck und solchen aus Temperaturveränderungen / Wärmeausdehnung ausgesetzt. Letztere können deutlich höher ausfallen als die durch Innendruck und können nicht immer sicher bestimmt werden. UltraGrip ist für oberirdische Anwendungen geeignet, sofern das Produkt keinem direkten Sonnenlicht ausgesetzt ist und die Temperaturen innerhalb der 40-Grad-Betriebsspanne liegen (zwischen -20 und 60).

\*Die Drehmomentangabe von 110-120 für Rohre aus Gusseisen bezieht sich auf eine Gusseisenstärke von 32 mm bei Bedingungen, zu denen die Strukturfestigkeit nicht beeinträchtigt ist. Wenden Sie sich für Angaben zu dünneren Rohren aus Gusseisen bitte an Viking Johnson für Empfehlungen zum Drehmoment.

Abb. 1

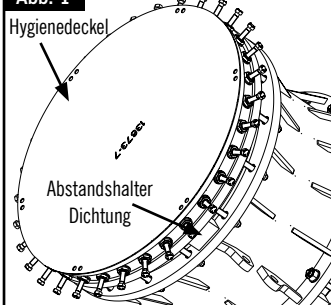


Abb. 2

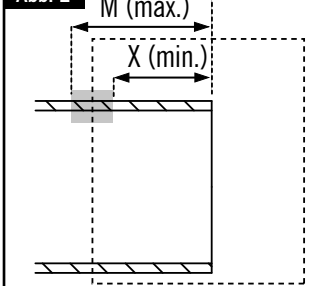


Abb. 4

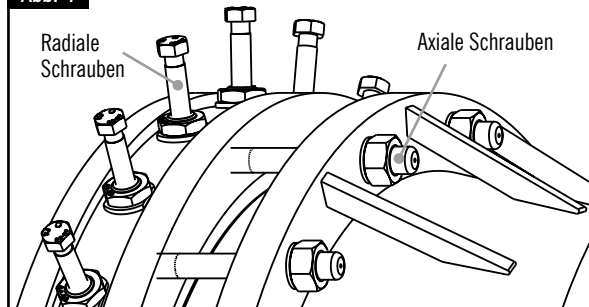
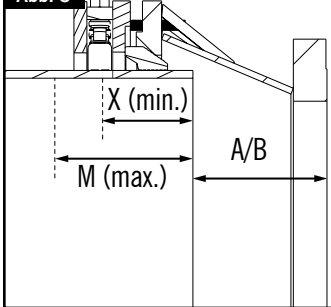


Abb. 3



# ULTRAGRIP-FLANSCHADAPTER PN16 DN900



## Montageanleitung

1. Stellen Sie sicher, dass der Rohrwerkstoff und die Größe zum UltraGrip-Flanschadapter passen. Verwenden Sie bei PE immer einen Stützring. (Siehe Seiten 24-25)
2. Prüfen Sie die Rohrenden und stellen Sie sicher, dass die Oberflächen sauber und frei von Riefen, Kesselstein, Rost oder anderen losen Ablagerungen bzw. anderen Oberflächenmängeln sind, welche die Passform beeinträchtigen könnten. Schweißnähte müssen geschliffen werden, um das korrekte Oberflächenprofil zu erhalten. Dicke Rohrbeschichtungen oder Ummantelungen müssen immer entfernt werden. UltraGrip muss entweder direkt auf der Rohroberfläche oder auf einem dünnen Lackfilm aufliegen.
3. **Gefahrenhinweis:** Sofern mitgeliefert sind die Hebeösen nur für das Produkt, an dem sie angebracht sind, geeignet/getestet. Die Nichtbeachtung dieser Anweisungen kann zu schweren Verletzungen oder Tod bzw. Sachschaden führen.

Stellen Sie sicher, dass Sie zur Anwendung der Hebevorrichtung und deren Zubehör qualifiziert, geschult und mit ihr vertraut sind. Stellen Sie sicher, dass die korrekte Ausrüstung verwendet wird und mit der Betriebslastgrenze gekennzeichnet ist bzw. Tabellen zu deren Bestimmung vorliegen. Führen Sie vor Einsatz eine Sichtprüfung der Hebevorrichtung und deren Zubehör durch und entfernen Sie mangelhafte Teile. Betätigen Sie die Vorrichtung nur innerhalb der Betriebslastgrenze. Verwenden Sie keine defekte Ausrüstung oder betreiben sie außerhalb der Betriebslastgrenze. Defekte Ausrüstung muss von einer Kontrollfachkraft untersucht und erneut zertifiziert werden. Agieren Sie nur dann als Anschläger oder Einweiser, wenn Sie über die erforderliche Zertifizierung und Schulung verfügen. Diese müssen von einem anerkannten Ausbilder stammen. Bewegen Sie sich nicht unter einer Last oder schwenken diese über eine Person.

4. Alle UltraGrip-Flanschadapter sind zur Vermeidung von Kontaminierung mit Hygieneschutzkappen (aus biologisch abbaubaren Verschlüssen und biologisch abbaubarer wasserfester Pappe) ausgestattet. Diese müssen vor der Anbringung entfernt werden (Abb. 1). Der Abstandshalter der Dichtung (Abb. 1) wird an diesem Punkt NICHT entfernt.
5. Bringen Sie für eine korrekte Montage entlang des gesamten Umfangs beider Rohrenden eine Markierung für die minimale und maximale Einsetztiefe aus Tabelle 3 an (siehe Abb. 2).
6. Schieben Sie den UltraGrip-Flanschadapter auf das Leitungsende. Bringen Sie die Leitung und den UltraGrip-Flanschadapter mit der Gegenflansch in Position, passen Sie die Verbindungsichtung (Viking Johnson empfiehlt für optimale Abdichtung eine IBC-Dichtung) und die Verbindungsschrauben an. Führen Sie die Leitung anhand der Angaben in Tabelle 3 in einer Tiefe zwischen X (Min.) und M (Max.) ein (siehe Abb. 3). – Passen Sie bei Bedarf an. Ziehen Sie die Verbindungsschrauben nach üblicher Vorgehensweise an. Wenn die mechanische Armatur an einem Glattrohr angebracht wird, sollte das Ende des Produkts zwischen der minimalen und maximalen Einsetztiefe X (Min.) und M (Max.) sitzen (siehe Tabelle 3).
7. Alle UltraGrip-Flanschadapter sind mit Abstandshaltern für Dichtungen (Abb. 1) ausgestattet. Diese verhindern, dass die Folgeringe beim Transport einfallen. Diese müssen jetzt vor der Anbringung entfernt werden.
8. Ziehen Sie wie in Abb. 4 die diametral entgegengesetzten Muttern der axialen Befestigung fest. Führen Sie dabei pro Mutter jeweils ein bis zwei Umdrehungen durch, um den Folgering gleichmäßig anzuziehen. Alle Muttern müssen so oft wie nötig angezogen werden, um das erforderliche Drehmoment zu erreichen (siehe Tabelle 3). Anschließend sollte zwischen dem Rohr und dem Folgering ein gleichmäßiger radialer Spalt sein, wobei die M (Max.)-Linie vollständig sichtbar und die X (Min.)-Linie vollständig abgedeckt sind.
9. Entscheiden Sie jetzt über die Art der Verbindung: ZUGFEST oder NICHT ZUGFEST:-
  - a. **ZUGFEST** – Bei Einsatz als zugfeste Verbindung ziehen Sie jetzt die diametral entgegengesetzten Schrauben der radialen Befestigung fest (siehe Abb. 4). Führen Sie jeweils ein bis zwei Umdrehungen durch, damit die Greifer gleichmäßig angezogen werden. Alle Schrauben müssen so oft wie nötig angezogen werden, um das erforderliche Drehmoment zu erreichen (siehe Tabelle 3).

- b. **NICHT ZUGFEST** – Bei Einsatz als nicht zugfeste Verbindung müssen die radialen Befestigungen nicht angezogen werden. Bei Installation als flexible (nicht zugfeste) Verbindung verhindert die UltraGrip das Herausziehen des Rohres nicht. Es müssen entsprechend externe Halterungen angebracht werden.

# ULTRAGRIP-FLANSCHADAPTER PN10 DN900

Rohrwerkstoffe, Einsetztiefe und Schraubendurchmesser für UltraGrip-Produkte

Tabelle 5.

Nennweite	Außendurchmesser (mm)	Flansch Nennweite	Axiale Befestigung		Radiale Befestigung					Rohrendenabstand (mm)		Einsetztiefe (mm)		Druckbelastbarkeit bei Wasser	
			Bolzengröße	Empfohlenes Anzugsmoment (Nm) für alle Materialien	Schraubengröße	Empfohlenes Anzugsmoment (Nm) für Duktiguss	Empfohlenes Anzugsmoment (Nm) für PE	Empfohlenes Anzugsmoment (Nm) für Stahl & Gusseisen*	Empfohlenes Anzugsmoment (Nm) für PVC-0	A (Min.)	B (Max.)	X (Min.)	M (Max.)	Zugfestes Produkt	Flexibles Produkt
DN900	892-927	800	M20	190-210	M16	N/V	140-150	110-120	N/V	525	550	220	245	10 bar	
DN900	892-927	900	M20	190-210	M16	N/V	140-150	110-120	N/V	280	305	220	245	10 bar	
DN900	926-961	900	M20	190-210	M16	190-210	N/V	110-120	N/V	380	405	220	245	10 bar	
DN900	958-993	900	M20	190-210	M16	N/V	N/V	110-120	N/V	430	455	220	245	10 bar	

**ACHTUNG:** Die Nichtbeachtung der Anzugsmomente für unterschiedliche Rohrwerkstoffe kann zu Schlupf und/oder Rohrschaden führen.

Tabelle 6.

Rohrwerkstoffe	Zugfest	Nicht zugfest	Stützring erforderlich
Stahl	✓	✓	
Duktiguss	✓	✓	
Gusseisen	✓	✓	
PVC-0	X	X	
PE100	✓	✓	✓
PE-Schutzmantelrohr	X	X	
Faserzement	X	✓	

### ANMERKUNGEN

Diese Anweisungen gelten für Flanschadapter von UltraGrip zur Anwendung mit den in der Tabelle aufgeführten Rohrwerkstoffen. UltraGrip wird vollständig zusammengebaut zur Anwendung als Endverbindung (zugfest) geliefert. Das Produkt sollte vor der Installation nicht demontiert werden, sofern es nicht als flexibles (nicht zugfestes) Produkt verwendet wird. In diesem Fall sollten die Greifschrauben nicht festgedreht werden.

Montagetestdruck = 1,5 x Betriebsdruck

Dicke Rohrbeschichtungen und Schutzmantelungen müssen immer entfernt werden.

Oberirdische, freiliegende Rohrleitungen sind Lasten durch den Innendruck und solchen aus Temperaturveränderungen / Wärmeausdehnung ausgesetzt. Letztere können deutlich höher ausfallen als die durch Innendruck und können nicht immer sicher bestimmt werden. UltraGrip ist für oberirdische Anwendungen geeignet, sofern das Produkt keinem direkten Sonnenlicht ausgesetzt ist und die Temperaturen innerhalb der 40-Grad-Betriebsspanne liegen (zwischen -20 und 60).

\*Die Drehmomentangabe von 110-120 für Rohre aus Gusseisen bezieht sich auf eine Gusseisenstärke von 32 mm bei Bedingungen, zu denen die Strukturfestigkeit nicht beeinträchtigt ist. Wenden Sie sich für Angaben zu dünneren Rohren aus Gusseisen bitte an Viking Johnson für Empfehlungen zum Drehmoment.

Abb. 1

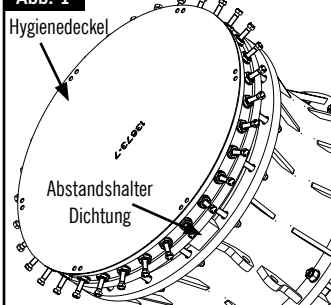


Abb. 2

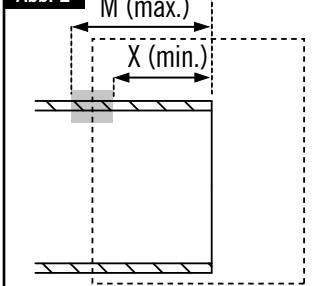


Abb. 4

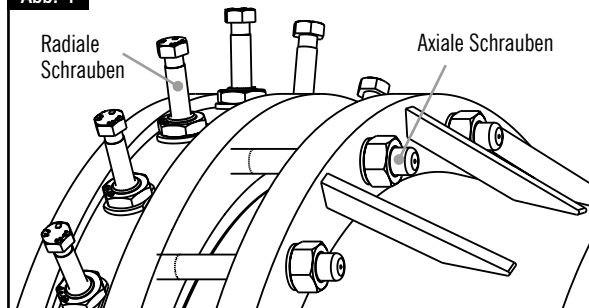
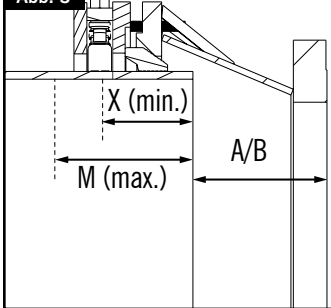


Abb. 3



# ULTRAGRIP-FLANSCHADAPTER PN10 DN900

## Montageanleitung

1. Stellen Sie sicher, dass der Rohrwerkstoff und die Größe zum UltraGrip-Flanschadapter passen. Verwenden Sie bei PE immer einen Stützring. (Siehe Seiten 24-25)
2. Prüfen Sie die Rohrenden und stellen Sie sicher, dass die Oberflächen sauber und frei von Riefen, Kesselstein, Rost oder anderen losen Ablagerungen bzw. anderen Oberflächenmängeln sind, welche die Passform beeinträchtigen könnten. Schweißnähte müssen geschliffen werden, um das korrekte Oberflächenprofil zu erhalten. Dicke Rohrbeschichtungen oder Ummantelungen müssen immer entfernt werden. UltraGrip muss entweder direkt auf der Rohroberfläche oder auf einem dünnen Lackfilm aufliegen.
3. **Gefahrenhinweis:** Sofern mitgeliefert sind die Hebeösen nur für das Produkt, an dem sie angebracht sind, geeignet/getestet. Die Nichtbeachtung dieser Anweisungen kann zu schweren Verletzungen oder Tod bzw. Sachschaden führen.

Stellen Sie sicher, dass Sie zur Anwendung der Hebevorrichtung und deren Zubehör qualifiziert, geschult und mit ihr vertraut sind. Stellen Sie sicher, dass die korrekte Ausrüstung verwendet wird und mit der Betriebslastgrenze gekennzeichnet ist bzw. Tabellen zu deren Bestimmung vorliegen. Führen Sie vor Einsatz eine Sichtprüfung der Hebevorrichtung und deren Zubehör durch und entfernen Sie mangelhafte Teile. Betätigen Sie die Vorrichtung nur innerhalb der Betriebslastgrenze. Verwenden Sie keine defekte Ausrüstung oder betreiben sie außerhalb der Betriebslastgrenze. Defekte Ausrüstung muss von einer Kontrollfachkraft untersucht und erneut zertifiziert werden. Agieren Sie nur dann als Anschläger oder Einweiser, wenn Sie über die erforderliche Zertifizierung und Schulung verfügen. Diese müssen von einem anerkannten Ausbilder stammen. Bewegen Sie sich nicht unter einer Last oder schwenken diese über eine Person.

4. Alle UltraGrip-Flanschadapter sind zur Vermeidung von Kontaminierung mit Hygieneschutzkappen (aus biologisch abbaubaren Verschlüssen und biologisch abbaubarer wasserfester Pappe) ausgestattet. Diese müssen vor der Anbringung entfernt werden (Abb. 1). Der Abstandshalter der Dichtung (Abb. 1) wird an diesem Punkt NICHT entfernt.
5. Bringen Sie für eine korrekte Montage entlang des gesamten Umfangs beider Rohrenden eine Markierung für die minimale und maximale Einsetztiefe aus Tabelle 5 an (siehe Abb. 2).
6. Schieben Sie den UltraGrip-Flanschadapter auf das Leitungsende. Bringen Sie die Leitung und den UltraGrip-Flanschadapter mit der Gegenflansch in Position, passen Sie die Verbindungsichtung (Viking Johnson empfiehlt für optimale Abdichtung eine IBC-Dichtung) und die Verbindungsschrauben an. Führen Sie die Leitung anhand der Angaben in Tabelle 5 in einer Tiefe zwischen X (Min.) und M (Max.) ein (siehe Abb. 3). – Passen Sie bei Bedarf an. Ziehen Sie die Verbindungsschrauben nach üblicher Vorgehensweise an. Wenn die mechanische Armatur an einem Glattrohr angebracht wird, sollte das Ende des Produkts zwischen der minimalen und maximalen Einsetztiefe X (Min.) und M (Max.) sitzen (siehe Tabelle 5).
7. Alle UltraGrip-Flanschadapter sind mit Abstandshaltern für Dichtungen (Abb. 1) ausgestattet. Diese verhindern, dass die Folgeringe beim Transport einfallen. Diese müssen jetzt vor der Anbringung entfernt werden.
8. Ziehen Sie wie in Abb. 4 die diametral entgegengesetzten Muttern der axialen Befestigung fest. Führen Sie dabei pro Mutter jeweils ein bis zwei Umdrehungen durch, um den Folgering gleichmäßig anzuziehen. Alle Muttern müssen so oft wie nötig angezogen werden, um das erforderliche Drehmoment zu erreichen (siehe Tabelle 5). Anschließend sollte zwischen dem Rohr und dem Folgering ein gleichmäßiger radialer Spalt sein, wobei die M (Max.)-Linie vollständig sichtbar und die X (Min.)-Linie vollständig abgedeckt sind.
9. Entscheiden Sie jetzt über die Art der Verbindung: ZUGFEST oder NICHT ZUGFEST:-
  - a. **ZUGFEST** – Bei Einsatz als zugfeste Verbindung ziehen Sie jetzt die diametral entgegengesetzten Schrauben der radialen Befestigung fest (siehe Abb. 4). Führen Sie jeweils ein bis zwei Umdrehungen durch, damit die Greifer gleichmäßig angezogen werden. Alle Schrauben müssen so oft wie nötig angezogen werden, um das erforderliche Drehmoment zu erreichen (siehe Tabelle 5).
  - b. **NICHT ZUGFEST** – Bei Einsatz als nicht zugfeste Verbindung müssen die radialen Befestigungen nicht angezogen werden. Bei Installation als flexible (nicht zugfeste) Verbindung verhindert die UltraGrip das Herausziehen des Rohres nicht. Es müssen entsprechend externe Halterungen angebracht werden.



# ULTRAGRIP RILSAN-BESCHICHTETE BAUSTAHL STÜTZRINGE FÜR PE- GRÖSSEN DN900

Abb. 1

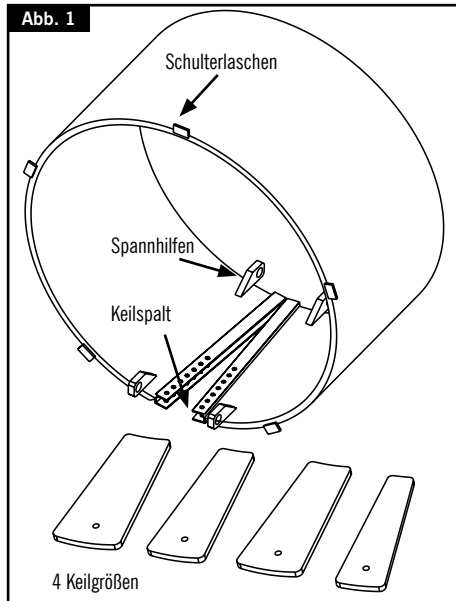


Abb. 2

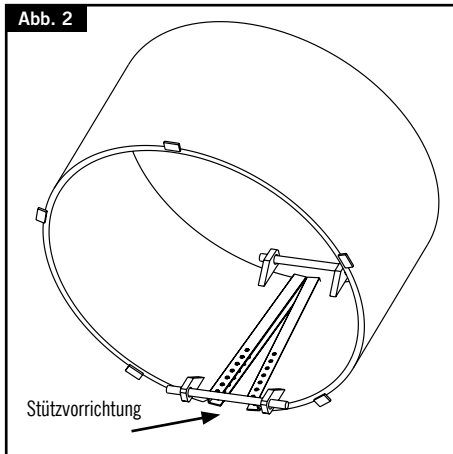


Abb. 3

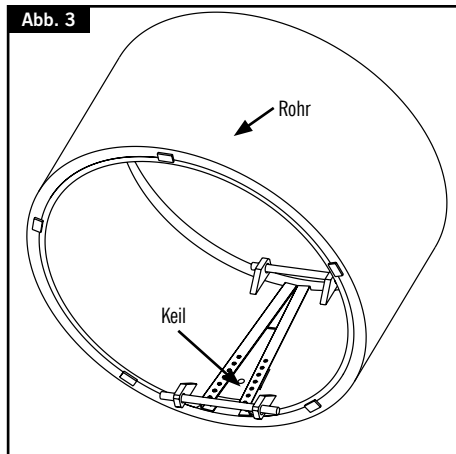
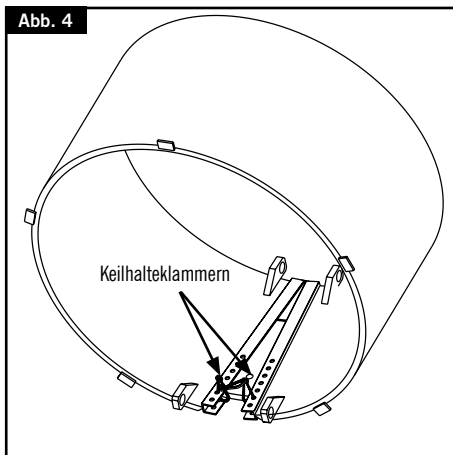


Abb. 4





# ULTRAGRIP RILSAN-BESCHICHTETE BAUSTAHL STÜTZRINGE FÜR PE- GRÖSSEN DN900



## Montageanleitung

1. Stellen Sie sicher, dass der Stützring und die Keile für den Außendurchmesser und die Wanddicke der Leitung geeignet sind.
2. Messen Sie den Innendurchmesser der Leitung und wählen Sie den entsprechenden Keil aus (Siehe Tabelle 7 für PE).
3. Führen Sie den Ring in die Bohrung der Leitung ein, bis die Ausweitung am Rohrende anliegt.
4. Stecken Sie den entsprechenden Anhebelbolzen durch die Spannhilfe Ösen in dem Liner (Abb. 2).
5. Expandieren Sie den Liner mit den Muttern an den Stehbolzen, bis dieser die Rohrwandung berührt.
6. Setzen Sie den passenden Keil in den Spalt des Liners ein.
7. Klopfen Sie den Keil ein, bis der Ring vollständig entlang der Rohrbohrung ausgeweitet ist. (Abb. 3)
8. Klemmen Sie die Keilhalteklammern in die Bohrungen, die dem Ende des Keils am nächsten sind, um ein Herausrutschen des Keils zu verhindern.
9. Nachdem die beiden Klemmen eingesetzt wurden, verwenden Sie einen dritten Klemme, um alle Klemmen miteinander zu verbinden. (Abb. 4)
10. Lösen Sie die Muttern an den Andrückbolzen und nehmen Sie diese aus den Augenschrauben.

**WARNUNG:** Schäden an der Keil- oder Linerbeschichtung führen zum Rosten des Produkts; Beim Einsetzen der Keile in die Liner ist äußerste Sorgfalt geboten, um eine Beschädigung der Beschichtung zu vermeiden.

Tabelle 7.

Rohr Code	Rohrgröße		Außendurchmesser Rohr		Innendurchmesser Rohr		Keil 1				Keil 2				Keil 3				Keil 4				
	(mm)		Min. (mm)	Max. (mm)	Min. (mm)	Max. (mm)	Min. Innendurchmesser (mm)	Max. Innendurchmesser (mm)	Kurze Kante (mm)	Lange Kante (mm)	Min. Innendurchmesser (mm)	Max. Innendurchmesser (mm)	Kurze Kante (mm)	Lange Kante (mm)	Min. Innendurchmesser (mm)	Max. Innendurchmesser (mm)	Kurze Kante (mm)	Lange Kante (mm)	Min. Innendurchmesser (mm)	Max. Innendurchmesser (mm)	Kurze Kante (mm)	Lange Kante (mm)	
PE-Ringe																							
900-SDR17	900		900	908.1	783	802	773	782	50	100	783	792	82	132	788	797	98	148	793	802	114	164	
900-SDR21	900		900	908.1	805	822	796	804	50	100	805	813	79	129	810	818	94	144	814	822	108	158	



# SPOJKY ULTRAGRIP DN900

## Materiály potrubí, hloubky vsunutí a průměry šroubů pro výroby UltraGrip

MONTÁŽNÍ NÁVOD - Česky

Jmenovitá světlost	Rozsah vnějších průměrů (mm)	Axiální spojovací prvek		Radiální spojovací prvek					Mezera při usazování (mm)		Hloubka vsunutí (mm)		Jmenovitý tlak pro vodu	
		Velikost závrtného šroubu	Doporučený utahovací moment šroubů (Nm) pro všechny materiály	Velikost šroubu	Doporučený utahovací moment šroubů (Nm) pro tvárnou litinu	Doporučený utahovací moment šroubů (Nm) pro PE	Doporučený utahovací moment šroubů (Nm) pro ocel a šedou litinu*	Doporučený utahovací moment šroubů (Nm) pro MOPVC	A (min.)	B (max.)	X (min.)	M (max.)	Jištěný výrobek	Nejištěný výrobek
DN900	892 - 927	M20	190-210	M16	NEUPLATŇUJE SE	140-150	110-120	NEUPLATŇUJE SE	165	375	220	325	16 bar	
DN900	926 - 961	M20	190-210	M16	190 -210	NEUPLATŇUJE SE	110-120	NEUPLATŇUJE SE	165	375	220	325	16 bar	
DN900	958 - 993	M20	190-210	M16	NEUPLATŇUJE SE	NEUPLATŇUJE SE	110-120	NEUPLATŇUJE SE	165	375	220	325	16 bar	

**VAROVÁNÍ:** Nedodržení požadavků na utahovací moment pro různé materiály potrubí může mít za následek prokluzování a/nebo poškození potrubí.

Tabulka 2.

Materiály potrubí	Jištěný	Nejištěný	Nutná vnitřní výztuha
Ocel	✓	✓	
Tvárná litina	✓	✓	
Šedá litina	✓	✓	
MOPVC	X	X	
PE100	✓	✓	✓
PE bariérové potrubí	X	X	
Azbestocement	X	✓	

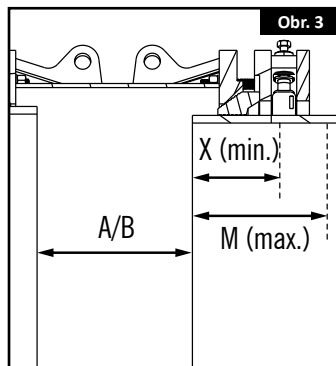
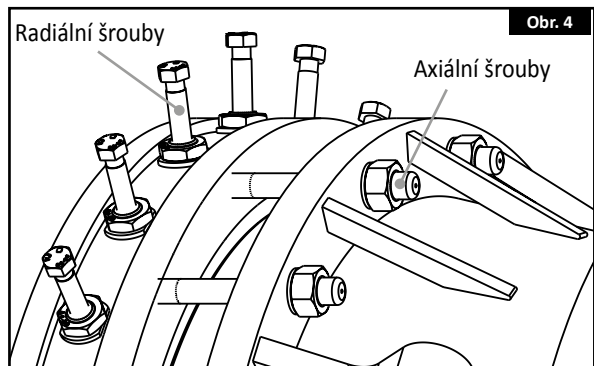
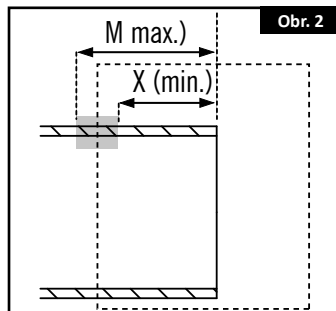
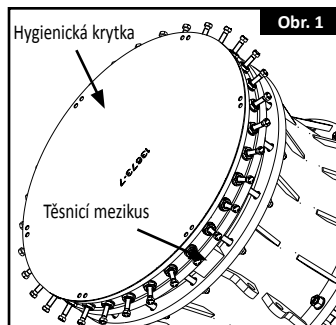
### Poznámky

Tento pokyn platí pro řadu spojek UltraGrip pro použití na materiály potrubí uvedené v tabulce. UltraGrip je dodáván v plně smontovaném stavu jako koncově jištěný (proti vysunutí potrubí) výrobek a není jej nutno před montáží demontovat, pokud nebude použit jako nejištěný, v tomto případě se jističí šrouby neutahují.

Tlaková zkuška – 1,5 násobek pracovního tlaku  
Silná vrstva nátěru a ochranné zabalení potrubí musí být vždy odstraněny.

Nadzemní nekrutá potrubí jsou předmětem působení tahových sil, které pochází jak z vnitřního pracovního tlaku, tak těch, které jsou způsobeny teplotními změnami / tepelnou roztažností - ty však mohou být podstatně vyšší, než ty, které pochází z vnitřního pracovního tlaku a nemohou být vždy bezpečně definovány. Systém UltraGrip lze použít v nadzemních aplikacích, kde není vystaven přímému slunečnímu záření a kde rozsah provozní teploty odpovídá 40 stupňům (mezi -20 a +60).

\*Utahovací moment 110-120 litinového potrubí předpokládá, že litina má tloušťku stěny 32 mm a je ve stavu, kdy není narušena její strukturální pevnost. V případě tenkostěnného litinového potrubí se obraťte na společnost Viking Johnson, aby vám sdělila doporučený utahovací moment šroubů.



# SPOJKY ULTRAGRIP DN900



## Montážní návod

1. Zkontrolujte, zda materiál a velikost potrubí odpovídají spojce UltraGrip. V případě PE potrubí vždy použijte vnitřní výztuhu. (Viz strany 32–33)
2. Prohlédněte konce potrubí a zajistěte, že povrch potrubí je čistý a zbavený značek, šupin, koroze a dalších volných nečistot nebo jiných povrchových vad, který by mohl ovlivnit účinnost výrobku. Navařené obruby musí být odbroušeny při zajištění správného profilu potrubí. Silná vrstva nátěru nebo zabalení potrubí musí být vždy odstraněny. UltraGrip musí dosednout buď na čistý povrch potrubí, nebo na tenkou vrstvu barvy.
3. **Varování před nebezpečím:** Zvedací oka, pokud jsou k dispozici, jsou navržena/zkoušena pouze pro zvedání výrobku, ke kterému jsou připevněna. Nedodržení těchto pokynů může mít za následek vážné zranění, smrt nebo škody na majetku.

Ujistěte se, že jste vyškoleni, kompetentní a obeznámeni s používaným zdvihacím zařízením a příslušenstvím. Ujistěte se, že je použito správné zařízení, na kterém je uvedeno maximální zatížení, nebo jsou k dispozici tabulky pro stanovení maximálního zatížení. Před zahájením zdvihání zkontrolujte vizuálně zdvihací zařízení a příslušenství a vadné vybavení vyřadte. Ujistěte se, že zatížení je nižší než maximální zatížení pro dané zařízení. Nepoužívejte zařízení, které je vadné, ani ho nepoužívejte nad rámec maximálního zatížení. Musí být zkontrolováno kompetentním revizním technikem a znovu certifikováno. Povinnosti vazače břemen a signalisty vykonávejte pouze v případě, že jste k tomu kompetentní a vyškolení. To musí být zajištěno uznávaným poskytovatelem školení. Nikdy pod břemenem nechodte ani břemeno nesměřujte nad jinou osobu.

4. Všechny spojky UltraGrip jsou vybaveny ochrannými hygienickými krytkami (které se skládají z biologicky rozložitelných stahovacích pásků a biologicky rozložitelné voděodolné lepenky), které zabraňují znečištění. Ty je nutné odstranit ještě před montáží (Obr. 1). Těsnící mezikus (Obr. 1) byste v tuto chvíli NEMĚLI odstraňovat.
5. Pro zajištění správné instalace vyznačte po celém obvodu obou konců potrubí minimální a maximální hloubky vsunutí potrubí získané z Tabulky 1, jak je znázorněno na Obr. 2.
6. Vyrovnajte pokládané potrubí s již položeným potrubím. Dávejte pozor, aby konce potrubí byly soustředně, a podle potřeby upravte podepření nebo dno výkopu.
7. Nasuňte mechanickou spojku na konec jednoho z potrubí. Po nasunutí spojky na potrubí pravte polohu spojky tak, aby mechanické šroubení bylo umístěno uprostřed mezery mezi oběma potrubími. S využitím hloubek získaných z Tabulky 1 umístěte potrubí na pozici, tak aby vyhovovaly vzdálenosti mezi X (min) a M (max), jak je znázorněno na Obr. 3. – v případě potřeby upravte. Zkontrolujte, že jsou oba konce potrubí a spojka ve stejné ose. V případě potřeby potrubí podepřete.
8. Všechny spojky UltraGrip DN900 obsahují těsnící mezikusy (Obr. 1), které zabraňují zborcení koncových prstenců při přepravě. Ty je nutné v tuto chvíli před montáží odstranit.
9. Utáhněte protilehlé matice axiálních spojovacích prvků podle Obr. 4 vždy o jedno až dvě pootočení tak, aby koncový prsteneček rovnoměrně dosedl. Matice musí být utahovány tolikrát, kolikrát bude nezbytné k dosažení požadovaného utahovacího momentu (viz Tabulku 1). Po dokončení musí být rovnoměrná radiální mezera mezi potrubím a koncovým prstencem spojky tak, že bude zcela viditelné označení M (max) a zcela skryté označení X (min).
10. Nyní se rozhodněte, jaký typ spojení je požadován: **JISTĚNÝ** nebo **NEJISTĚNÝ**:
  - a. **JISTĚNÝ** – Když je použit jako jistěný, utáhněte protilehlé matice radiálních spojovacích prvků podle Obr. 4 vždy o jedno až dvě pootočení tak, aby se jisticí prvky rovnoměrně aktivovaly. Matice musí být utahovány tolikrát, kolikrát bude nezbytné dosažení požadovaného utahovacího momentu (viz Tabulku 1).
  - b. **NEJISTĚNÝ** – Když je použit jako nejistěný, radiální spojovací prvky nesmí být utahovány. Pokud je UltraGrip instalován jako nejistěný výrobek, nebude bránit vytažení potrubí a je třeba zajistit odpovídající vnější zajištění.



# PŘÍRUBOVÉ ADAPTÉRY ULTRAGRIP PN16 DN900

Materiály potrubí, hloubky vsunutí a průměry šroubů pro výroby UltraGrip

Tabulka 3.

Jmenovitá světlost	Rozsah vnějších průměrů (mm)	Jmenovitá velikost příruby	Axiální spojovací prvek		Radiální spojovací prvek				Mezera při usazování (mm)		Hloubka vsunutí (mm)		Jmenovitý tlak pro vodu		
			Velikost závrtného šroubu	Doporučený utahovací moment šroubů (Nm) pro všechny materiály	Velikost šroubu	Doporučený utahovací moment šroubů (Nm) pro tvárnou litinu	Doporučený utahovací moment šroubů (Nm) pro PE	Doporučený utahovací moment šroubů (Nm) pro ocel a šedou litinu*	Doporučený utahovací moment šroubů (Nm) pro MOPVC	A (min.)	B (max.)	X (min.)	M (max.)	Jištěný výrobek	Nejištěný výrobek
DN900	892-927	800	M20	190-210	M16	NEUPLATNÍJE SE	140-150	110-120	NEUPLATNÍJE SE	540	565	220	245	16 bar	
DN900	892-927	900	M20	190-210	M16	NEUPLATNÍJE SE	140-150	110-120	NEUPLATNÍJE SE	300	325	220	245	16 bar	
DN900	926-961	900	M20	190-210	M16	190-210	NEUPLATNÍJE SE	110-120	NEUPLATNÍJE SE	500	525	220	245	16 bar	
DN900	958-993	900	M20	190-210	M16	NEUPLATNÍJE SE	NEUPLATNÍJE SE	110-120	NEUPLATNÍJE SE	500	525	220	245	16 bar	

**VAROVÁNÍ:** Nedodržení požadavků na utahovací moment pro různé materiály potrubí může mít za následek prokluzování a/nebo poškození potrubí.

Tabulka 4.

Materiály potrubí	Jištěný	Nejištěný	Nutná vnitřní výztuha
Ocel	✓	✓	
Tvárná litina	✓	✓	
Šedá litina	✓	✓	
MOPVC	X	X	
PE100	✓	✓	✓
PE bariérové potrubí	X	X	
Azbestocement	X	✓	

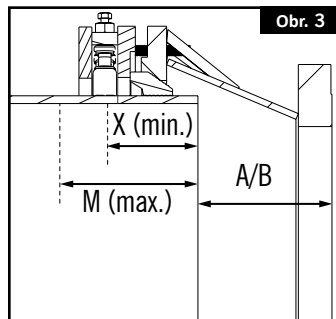
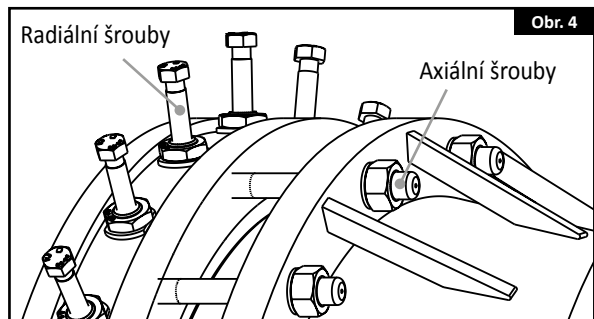
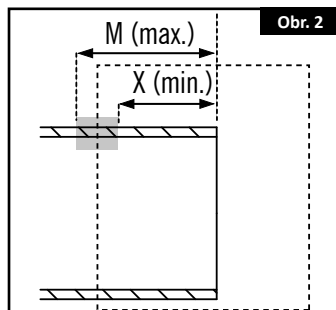
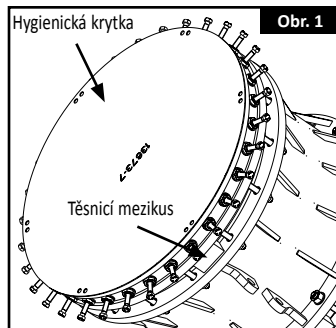
### Poznámky

Tento návod se vztahuje k řadě přírubových adaptérů UltraGrip pro použití na potrubních materiálech zmíněných v tabulce. UltraGrip je dodáván v líně smontovaném stavu jako koncově jištěný (proti vsunutí potrubí) a není jej nutno před montáží demontovat, pokud nebude použit jako nejištěný, v tomto případě se jistící šrouby neutahují.

Tlaková zkouška – 1,5 násobek pracovního tlaku  
Silná vrstva nátěru a ochranné zabalení potrubí musí být vždy odstraněny.

Nadzemní nekrutá potrubí jsou předmětem působení tahových sil, které pochází jak z vnitřního pracovního tlaku, tak těch, které jsou způsobeny teplotními změnami / tepelnou roztažností - ty však mohou být podstatně vyšší, než ty, které pochází z vnitřního pracovního tlaku a nemohou být vždy bezpečně definovány. Systém UltraGrip lze použít v nadzemních aplikacích, kde není vystaven přímému slunečnímu záření a kde rozsah provozní teploty odpovídá 40 stupňům (mezi -20 a +60).

\*Utahovací moment 110-120 litinového potrubí předpokládá, že litina má tloušťku stěny 32 mm a je ve stavu, kdy není narušena její strukturální pevnost. V případě tenkostěnného litinového potrubí se obraťte na společnost Viking Johnson, aby vám sdělila doporučený utahovací moment šroubů.



# PŘÍRUBOVÉ ADAPTÉRY ULTRAGRIP PN16 DN900



## Montážní návod

1. Zkontrolujte, zda materiál a velikost potrubí odpovídají přírubovému adaptéru UltraGrip. V případě PE potrubí vždy použijte vnitřní výztuhu. (Viz strany 32–33)
2. Prohlédněte konce potrubí a zajistěte, že povrch potrubí je čistý a zbavený značek, šupin, koroze a dalších volných nečistot nebo jiných povrchových vad, který by mohly ovlivnit účinnost výrobku. Navařené obruby musí být odbroušeny při zajištění správného profilu potrubí. Silná vrstva nátěru nebo zabalení potrubí musí být vždy odstraněny. UltraGrip musí dosednout buď na čistý povrch potrubí, nebo na tenkou vrstvu barvy.
3. **Varování před nebezpečím:** Zvedací oka, pokud jsou k dispozici, jsou navržena/zkoušena pouze pro zvedání výrobku, ke kterému jsou připevněná. Nedodržení těchto pokynů může mít za následek vážné zranění, smrt nebo škody na majetku.

Ujistěte se, že jste vyškoleni, kompetentní a obeznámeni s používaným zdvihacím zařízením a příslušenstvím. Ujistěte se, že je použito správné zařízení, na kterém je uvedeno maximální zatížení, nebo jsou k dispozici tabulky pro stanovení maximálního zatížení. Před zahájením zdvihání zkontrolujte vizuálně zdvihací zařízení a příslušenství a vadně vybavení vyřadte. Ujistěte se, že zatížení je nižší než maximální zatížení pro dané zařízení. Nepoužívejte zařízení, které je vadné, ani ho nepoužívejte nad rámec maximálního zatížení. Musí být zkontrolováno kompetentním revizním technikem a znovu certifikováno. Povinnosti vazače břemen a signalisty vykonávejte pouze v případě, že jste k tomu kompetentní a vyškolení. To musí být zajištěno uznávaným poskytovatelem školení. Nikdy pod břemenem nechodte ani břemeno nesměřujte nad jinou osobu.

4. Všechny přírubové adaptéry UltraGrip jsou vybaveny ochrannými hygienickými krytkami (které se skládají z biologicky rozložitelných stahovacích pásků a biologicky rozložitelné voděodolné lepenky), které zabraňují znečištění. Ty je nutné odstranit ještě před montáží (Obr. 1). Těsnící mezikus (Obr. 1) byste v tuto chvíli NEMĚLI odstraňovat.
5. Pro zajištění správné instalace vyznačte po celém obvodu obou konců potrubí minimální a maximální hloubky vsunutí potrubí získané z Tabulky 3, jak je znázorněno na Obr. 2.
6. Nasuňte přírubový adaptér UltraGrip na konec potrubí. Vyrovnajte potrubí a přírubový adaptér UltraGrip s protipřírubou, nasadte přírubové těsnění (společnost Viking Johnson doporučuje použít těsnění IBC pro optimální utěsnění) a šrouby ke spojení přírub. Ujistěte se, že je potrubí zasunuto do hloubky získané z Tabulky 3 umístěte potrubí na pozici, tak aby vyhovovaly vzdálenosti mezi X (min) a M (max), jak je znázorněno na Obr. 3. – v případě potřeby upravte. Utáhněte šrouby ke spojení přírub s využitím standardního postupu. Pokud je mechanické šroubení instalováno na potrubí s hladkým koncem. Konec výrobku by měl být usazen mezi minimální a maximální hloubkou zasunutí X (min) a M (max) (viz Tabulku 3).
7. Všechny přírubové adaptéry UltraGrip obsahují těsnící mezikusy (Obr. 1), které zabraňují zborcení koncových prstenců při přepravě. Ty je nutné v tuto chvíli před montáží odstranit.
8. Utáhněte protilehlé matice axiálních spojovacích prvků podle Obr. 4 vždy o jedno až dvě pootočení tak, aby koncový prsteneček rovnoměrně dosedl. Matice musí být utahovány tolikrát, kolikrát bude nezbytné k dosažení požadovaného utahovacího momentu (viz Tabulku 3). Po dokončení musí být rovnoměrná radiální mezera mezi potrubím a koncovým prstencem spojky tak, že bude zcela viditelné označení M (max) a zcela skryté označení X (min).
9. Nyní se rozhodněte, jaký typ spojení je požadován: JIŠTĚNÝ nebo NEJIŠTĚNÝ:
  - a. **JIŠTĚNÝ** – Když je použit jako jištěný, utáhněte protilehlé šrouby radiálních spojovacích prvků podle Obr. 4 vždy o jedno až dvě pootočení tak, aby se jisticí prvky rovnoměrně aktivovaly. Šrouby musí být utahovány tolikrát, kolikrát bude nezbytné k dosažení požadovaného utahovacího momentu (viz Tabulku 3).
  - b. **NEJIŠTĚNÝ** – Když je použit jako nejištěný, radiální spojovací prvky nesmí být utahovány. Pokud je UltraGrip instalován jako nejištěný výrobek, nebude bránit vytažení potrubí a je třeba zajistit odpovídající vnější zajištění.



# PŘÍRUBOVÉ ADAPTÉRY ULTRAGRIP PN10 DN900

Materiály potrubí, hloubky vsunutí a průměry šroubů pro výroby UltraGrip

Tabulka 5.

Jmenovitá světlost	Rozsah vnějších průměrů (mm)	Jmenovitá velikost příruby	Axiální spojovací prvek		Radiální spojovací prvek				Mezera při usazování (mm)		Hloubka vsunutí (mm)		Jmenovitý tlak pro vodu		
			Velikost závrtného šroubu	Doporučený utahovací moment šroubů (Nm) pro všechny materiály	Velikost šroubu	Doporučený utahovací moment šroubů (Nm) pro tvárnou litinu	Doporučený utahovací moment šroubů (Nm) pro PE	Doporučený utahovací moment šroubů (Nm) pro ocel a šedou litinu*	Doporučený utahovací moment šroubů (Nm) pro MOPVC	A (min.)	B (max.)	X (min.)	M (max.)	Jištěný výrobek	Nejištěný výrobek
DN900	892-927	800	M20	190-210	M16	NEUPLATŇUJE SE	140-150	110-120	NEUPLATŇUJE SE	525	550	220	245	10 bar	
DN900	892-927	900	M20	190-210	M16	NEUPLATŇUJE SE	140-150	110-120	NEUPLATŇUJE SE	280	305	220	245	10 bar	
DN900	926-961	900	M20	190-210	M16	190-210	NEUPLATŇUJE SE	110-120	NEUPLATŇUJE SE	380	405	220	245	10 bar	
DN900	958-993	900	M20	190-210	M16	NEUPLATŇUJE SE	NEUPLATŇUJE SE	110-120	NEUPLATŇUJE SE	430	455	220	245	10 bar	

**VAROVÁNÍ:** Nedodržení požadavků na utahovací moment pro různé materiály potrubí může mít za následek prokluzování a/nebo poškození potrubí.

Tabulka 6.

Materiály potrubí	Jištěný	Nejištěný	Nutná vnitřní výztuha
Ocel	✓	✓	
Tvárná litina	✓	✓	
Šedá litina	✓	✓	
MOPVC	X	X	
PE100	✓	✓	✓
PE bariérové potrubí	X	X	
Azbestocement	X	✓	

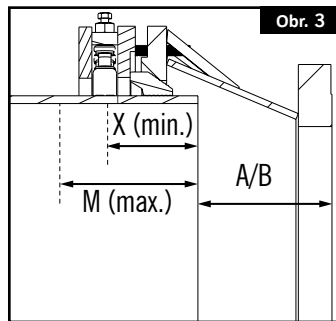
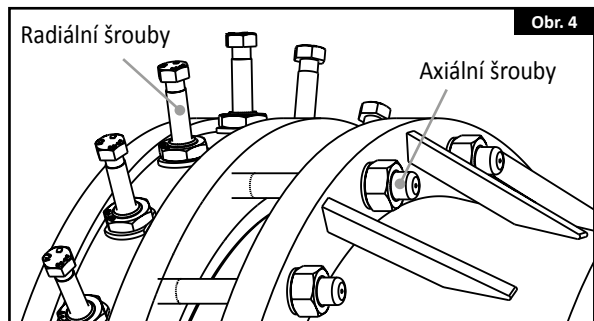
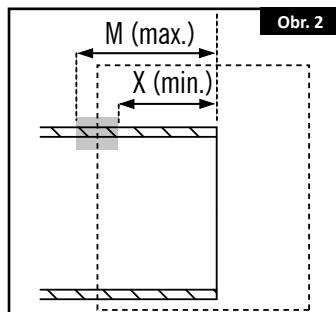
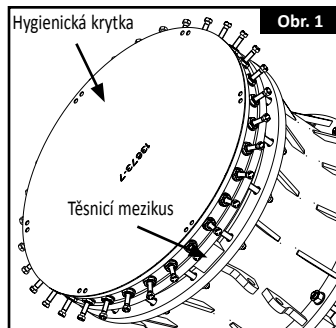
**Poznámky**

Tento návod se vztahuje k řadě přírubových adaptérů UltraGrip pro použití na potrubních materiálech zmíněných v tabulce. UltraGrip je dodáván v líně smontovaném stavu jako koncově jištěný (proti vsunutí potrubí) výrobek a není jej nutno před montáží demontovat, pokud nebude použit jako nejištěný, v tomto případě se jistící šrouby neutahují.

Tlaková zkušební – 1,5 násobek pracovního tlaku  
Silná vrstva nátěru a ochranné zabalení potrubí musí být vždy odstraněny.

Nadzemní nekrutá potrubí jsou předmětem působení tahových sil, které pochází jak z vnitřního pracovního tlaku, tak těch, které jsou způsobeny teplotními změnami / tepelnou roztažností - ty však mohou být podstatně vyšší, než ty, které pochází z vnitřního pracovního tlaku a nemohou být vždy bezpečně definovány. Systém UltraGrip lze použít v nadzemních aplikacích, kde není vystaven přímému slunečnímu záření a kde rozsah provozní teploty odpovídá 40 stupňům (mezi -20 a +60).

\*Utahovací moment 110-120 litinového potrubí předpokládá, že litina má tloušťku stěny 32 mm a je ve stavu, kdy není narušena její strukturální pevnost. V případě tenkostěnného litinového potrubí se obraťte na společnost Viking Johnson, aby vám sdělila doporučený utahovací moment šroubů.



# PŘÍRUBOVÉ ADAPTÉRY ULTRAGRIP PN10 DN900



## Montážní návod

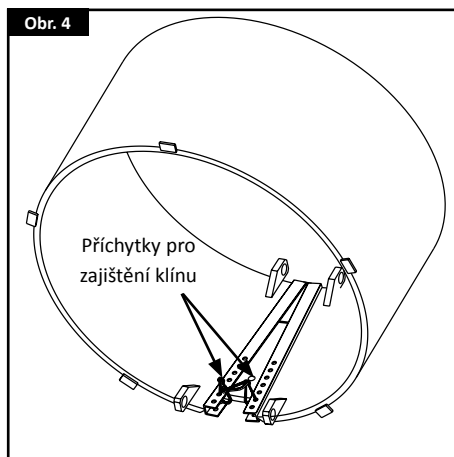
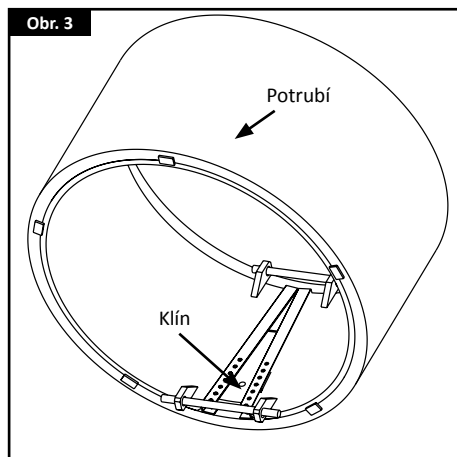
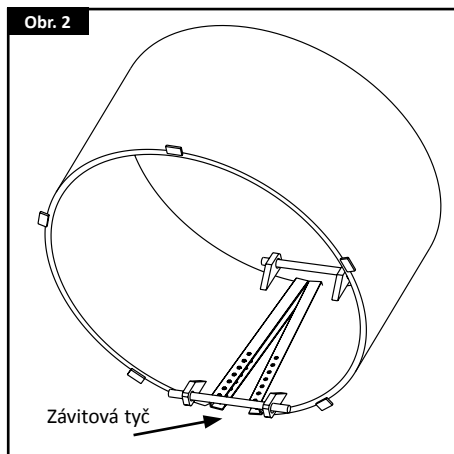
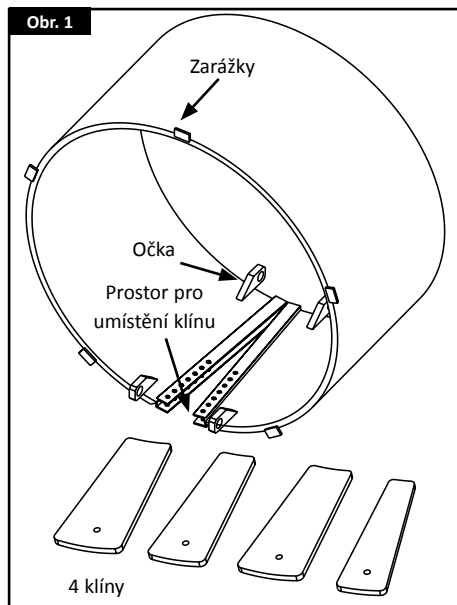
1. Zkontrolujte, zda materiál a velikost potrubí odpovídají přírubovému adaptéru UltraGrip. V případě PE potrubí vždy použijte vnitřní výztuhu. (Viz strany 32–33)
2. Prohlédněte konce potrubí a zajistěte, že povrch potrubí je čistý a zbavený značek, šupin, koroze a dalších volných nečistot nebo jiných povrchových vad, který by mohly ovlivnit účinnost výrobku. Navařené obruby musí být odbroušeny při zajištění správného profilu potrubí. Silná vrstva nátěru nebo zabalení potrubí musí být vždy odstraněny. UltraGrip musí dosednout buď na čistý povrch potrubí, nebo na tenkou vrstvu barvy.
3. **Varování před nebezpečím:** Zvedací oka, pokud jsou k dispozici, jsou navržena/zkoušena pouze pro zvedání výrobku, ke kterému jsou připevněná. Nedodržení těchto pokynů může mít za následek vážné zranění, smrt nebo škody na majetku.

Ujistěte se, že jste vyškoleni, kompetentní a obeznámeni s používaným zdvihacím zařízením a příslušenstvím. Ujistěte se, že je použito správné zařízení, na kterém je uvedeno maximální zatížení, nebo jsou k dispozici tabulky pro stanovení maximálního zatížení. Před zahájením zdvihání zkontrolujte vizuálně zdvihací zařízení a příslušenství a vadně vybavení vyřaďte. Ujistěte se, že zatížení je nižší než maximální zatížení pro dané zařízení. Nepoužívejte zařízení, které je vadné, ani ho nepoužívejte nad rámec maximálního zatížení. Musí být zkontrolováno kompetentním revizním technikem a znovu certifikováno. Povinnosti vazače břemen a signalisty vykonávejte pouze v případě, že jste k tomu kompetentní a vyškolení. To musí být zajištěno uznávaným poskytovatelem školení. Nikdy pod břemenem nechodte ani břemeno nesměřujte nad jinou osobu.

4. Všechny přírubové adaptéry UltraGrip jsou vybaveny ochrannými hygienickými krytkami (které se skládají z biologicky rozložitelných stahovacích pásek a biologicky rozložitelné voděodolné lepenky), které zabraňují znečištění. Ty je nutné odstranit ještě před montáží (Obr. 1). Těsnící mezikus (Obr. 1) byste v tuto chvíli NEMĚLI odstraňovat.
5. Pro zajištění správné instalace vyznačte po celém obvodu obou konců potrubí minimální a maximální hloubky vsunutí potrubí získané z Tabulky 5, jak je znázorněno na Obr. 2.
6. Nasuňte přírubový adaptér UltraGrip na konec potrubí. Vyrovnajte potrubí a přírubový adaptér UltraGrip s protipřírubou, nasadte přírubové těsnění (společnost Viking Johnson doporučuje použít těsnění IBC pro optimální utěsnění) a šrouby ke spojení přírub. Ujistěte se, že je potrubí zasunuto do hloubky získané z Tabulky 5 umístěte potrubí na pozici, tak aby vyhovovaly vzdálenosti mezi X (min) a M (max), jak je znázorněno na Obr. 3. – v případě potřeby upravte. Utáhněte šrouby ke spojení přírub s využitím standardního postupu. Pokud je mechanické šroubení instalováno na potrubí s hladkým koncem. Konec výrobku by měl být usazen mezi minimální a maximální hloubkou zasunutí X (min) a M (max) (viz Tabulku 5).
7. Všechny přírubové adaptéry UltraGrip obsahují těsnící mezikusy (Obr. 1), které zabraňují zborcení koncových prstenců při přepravě. Ty je nutné v tuto chvíli před montáží odstranit.
8. Utáhněte protilehlé matice axiálních spojovacích prvků podle Obr. 4 vždy o jedno až dvě pootočení tak, aby koncový prsteneček rovnoměrně dosedl. Matice musí být utahovány tolikrát, kolikrát bude nezbytné k dosažení požadovaného utahovacího momentu (viz Tabulku 5). Po dokončení musí být rovnoměrná radiální mezera mezi potrubím a koncovým prstencem spojky tak, že bude zcela viditelné označení M (max) a zcela skryté označení X (min).
9. Nyní se rozhodněte, jaký typ spojení je požadován: JIŠTĚNÝ nebo NEJIŠTĚNÝ:
  - a. **JIŠTĚNÝ** – Když je použit jako jištěný, utáhněte protilehlé šrouby radiálních spojovacích prvků podle Obr. 4 vždy o jedno až dvě pootočení tak, aby se jisticí prvky rovnoměrně aktivovaly. Šrouby musí být utahovány tolikrát, kolikrát bude nezbytné k dosažení požadovaného utahovacího momentu (viz Tabulku 5).
  - b. **NEJIŠTĚNÝ** – Když je použit jako nejištěný, radiální spojovací prvky nesmí být utahovány. Pokud je UltraGrip instalován jako nejištěný výrobek, nebude bránit vytažení potrubí a je třeba zajistit odpovídající vnější zajištění.



# VNITŘNÍ VÝZTUHY ULTRAGRIP Z MĚKKÉ OCELI S NÁTĚREM RILSAN PRO PE A MOPVC POTRUBÍ O SVĚTLOSTI DN900





# VNITŘNÍ VÝZTUHY ULTRAGRIP Z MĚKKÉ OCELI S NÁTĚREM RILSAN PRO PE A MOPVC POTRUBÍ O SVĚTLOSTI DN900



## Montážní návod

1. Zkontrolujte, zda jsou vnitřní výztuhy a klíny vhodné pro vnější průměr a tloušťku stěny potrubí.
2. Změřte světlost potrubí a vyberte správný klín ze sady 4 dodaných klínů (viz Tabulku 7 pro PE potrubí).
3. Vložte výztuhu do otvoru potrubí, dokud se zarážky nebudou dotýkat konce potrubí.
4. Provlékněte odpovídající závitovou tyč skrz očka na výztuze (Obr. 2).
5. Pomocí matic na závitové tyči roztáhněte výztuhu tak, aby se dotýkala potrubí.
6. Vložte odpovídající klín do prostoru pro umístění klínu ve výztuze.
7. Zatlukejte klín, dokud nebude výztuha zcela roztažená podél celého vnitřního průměru potrubí (Obr. 3)
8. V otvorech kanálu, které jsou nejbližší konci klínu zacvakněte příchytky pro zajištění klínu, abyste zabránili jeho vysunutí.
9. Po zacvaknutí dvou příchyttek použijte třetí příchytku, abyste všechny příchytky spojili dohromady. (Obr. 4)
10. Povolte matice na závitové tyči a závitovou tyč vyjměte společně s maticemi.

**VAROVÁNÍ:** Poškození klínu nebo nátěru výztuhy povede ke korozi výrobku; při vkládání klínů do výztuh je nutné dbát maximální opatrnosti, aby nedošlo k poškození nátěru.

Tabulka 7.

Kód potrubí	Velikost potrubí (mm)	Vnější průměr potrubí		Vnitřní průměr potrubí		Klín 1				Klín 2				Klín 3				Klín 4			
		Min. (mm)	Max. (mm)	Min. (mm)	Max. (mm)	Min. vnitřní průměr (mm)	Max. vnitřní průměr (mm)	Krátký okraj (mm)	Dlouhý okraj (mm)	Min. vnitřní průměr (mm)	Max. vnitřní průměr (mm)	Krátký okraj (mm)	Dlouhý okraj (mm)	Min. vnitřní průměr (mm)	Max. vnitřní průměr (mm)	Krátký okraj (mm)	Dlouhý okraj (mm)	Min. vnitřní průměr (mm)	Max. vnitřní průměr (mm)	Krátký okraj (mm)	Dlouhý okraj (mm)
Vnitřní výztuhy pro PE potrubí																					
900-SDR17	900	900	908.1	783	802	773	782	50	100	783	792	82	132	788	797	98	148	793	802	114	164
900-SDR21	900	900	908.1	805	822	796	804	50	100	805	813	79	129	810	818	94	144	814	822	108	158



# ULTRAGRIP KOPPLINGAR DN900

Rörmaterial, installationsdjup och bultdiametrar för UltraGrip-produkter

Tabell 1.

Nominell storlek	YD intervall (mm)	Axiellt fäste		Radiellt fäste				Inställningsavstånd (mm)		Insättningsdjup (mm)		Tryckklassning för vatten		
		Pinnbult storlek	Rekommenderat bultvidmoment (Nm) för alla material	Bultstorlek	Rekommenderat bultvidmoment (Nm) för segjärn	Rekommenderat bultvidmoment (Nm) för PE	Rekommenderat bultvidmoment (Nm) för stål och gjutjärn*	Rekommenderat bultvidmoment (Nm) för MOPVC	A (min)	B (max)	X (min)	M (max)	Produkt med dragsäkerhet	Produkt med flexibilitet
DN900	892- 927	M20	190-210	M16	N/A	140-150	110-120	N/A	165	375	220	325		16 bar
DN900	926- 961	M20	190-210	M16	190- 210	N/A	110-120	N/A	165	375	220	325		16 bar
DN900	958- 993	M20	190-210	M16	N/A	N/A	110-120	N/A	165	375	220	325		16 bar

**WARNING:** Om momentkraven för olika rörmaterial inte följs kan det leda till rörglidning, och / eller rördskador.

Tabell 2.

Rörmaterial	Dragsäker	Icke dragsäker	Stödhylsa krävs
Stål	✓	✓	
Segjärn	✓	✓	
Gjutjärn	✓	✓	
MOPVC	X	X	
PE100	✓	✓	✓
PE Barriär rör	X	X	
Asbestcement	X	✓	

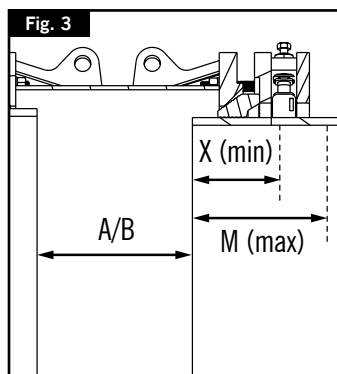
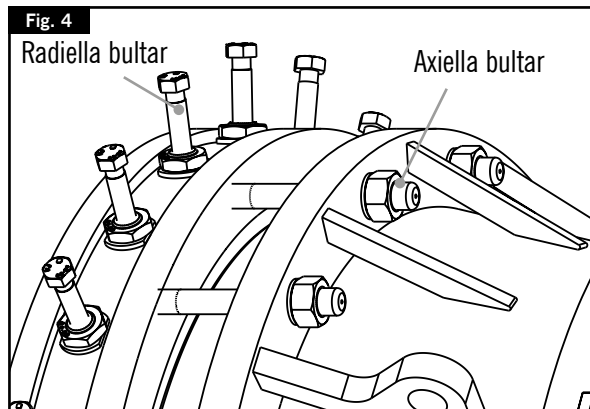
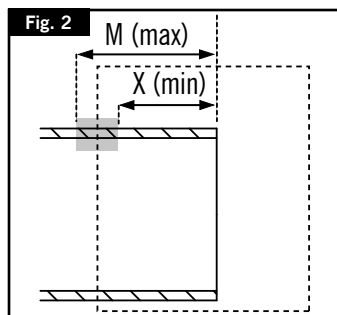
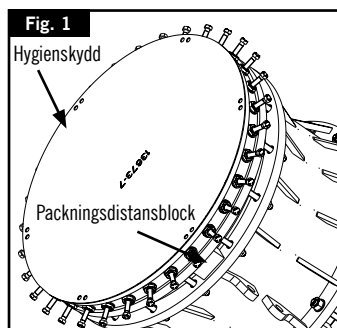
**Noteringar**

Dessa instruktioner gäller UltraGrips kopplingsortiment för användning på de rörmaterial som anges i tabellen. UltraGrip levereras färdigmonterad för användning som ändhuv (dragsäker) och bör inte demonteras före installation, såvida den inte ska användas som en flexibel (ej dragsäker) produkt, varvid gripbultarna inte ska dras åt.

Anläggningsens testtryck = 1,5 gånger arbetstrycket  
Tjocka rörbeläggningar och rörinklädnader måste alltid avlägsnas.

Rörledningar ovan mark utsätts för både belastningar från det inre trycket och från temperaturförändringar/ termisk expansion, vilket kan vara betydligt högre än från det inre trycket och kan inte alltid bestämmas på ett säkert sätt. UltraGrip kan användas i applikationer ovan jord där den inte utsätts för direkt solljus och ligger inom temperaturintervallet 40°C (mellan -20 °C och +60 °C).

\*110-120 vridmoment för gjutjärnsrör förutsätter att gjutjärnet har en väggjocklek på 32 mm och är i ett skick där den strukturella styrkan inte har äventyrats. För gjutjärnsrör med tunnare väggar, vänligen kontakta Viking Johnson för rekommenderat bultmoment.



# ULTRAGRIP KOPPLINGAR DN900



## Installationsanvisningar

1. Kontrollera att rörmaterial och rörstorleken passar till UltraGrip-kopplingen. För PE använd alltid en stödhylsa. (se sidor 40-41)
2. Undersök rörens ändrar och se till att rörtorna är rena och fria från repor, grader, rost eller andra föroreningar eller ytdefekter som kan påverka passformen. Svetssömmar måste slipas ned för att förbättra ytprofilen. Tjocka rörbeläggningar och rörinklädnader måste alltid avlägsnas. UltraGrip måste monteras antingen direkt på den obelagda rörytan eller på ett tunt färgskikt.
3. **Varning för risk:** Lyftgöglor, där sådana finns, är konstruerade/provade för att endast lyfta de komponenter som de är fästa vid. Underlåtenhet att följa dessa anvisningar kan leda till allvarliga personskador eller dödsfall eller materiella skador.

Se till att du är utbildad, kompetent och förtrogen med den lyftanordning och de tillbehör som ska användas. Se till att rätt utrustning används och att den är märkt med WLL (Working Load Limit) eller att det finns tabeller för att bestämma WLL. Säkerställ att du utför en visuell inspektion av lyftutrustningen och tillbehören innan du fortsätter med lyftet, kassera defekt utrustning. Säkerställ att arbetet utförs inom utrustningens WLL. Använd inte utrustning som är felaktig och använd den inte utanför WLL. Den måste granskas av en kompetent inspektionsingenjör och omcertifierad. Utför endast sling- och kranmannuppgifter om du är kompetent och har fått utbildning. Detta måste tillhandahållas av en godkänd utbildningsleverantör. Gå aldrig under eller sväng en last över en person.

4. Alla UltraGrip-kopplingar har hygienskydd (som består av biologiskt nedbrytbara buntband och biologiskt nedbrytbar vattenbeständig kartong) för att förhindra kontaminering. Detta skydd måste avlägsnas före montering (Fig 1). Packningsdistansblock (Fig 1) bör INTE avlägsnas i detta skede.
5. För att säkerställa korrekt installation, markera minsta och största rörföringsdjup enligt tabell 1 runt hela omkretsen av båda rörändarna enligt Fig. 2.
6. Rikta in röret som ska läggas med röret som redan är på plats, se till att rörändarna är koncentriska, justera stöd eller ledningsbädd vid behov.
7. Skjut på den mekaniska kopplingen på en av rørets muffändar. När kopplingen har förts över röret, flytta kopplingen så att den mekaniska kopplingen är centralt placerad över mellanrummet mellan två rör. För røren i läge tills avståndet mellan X (min) och M (max) är enligt Fig 3 med hjälp av djupen från tabell 1. Justera vid behov. Kontrollera att de två rörändarna och kopplingen befinner sig på samma axel. Använd stöd om så behövs.
8. Alla UltraGrip DN700-800-kopplingar har packningsdistansblock (Fig.1) som förhindrar att slutringarna kollapsar under transport. Detta måste avlägsnas före montering vid detta skede.
9. Dra åt diametralt motsatta muttrar på de axiella fästelementen enligt Fig 4. Vrid varje mutter ett eller två varv åt gången för att dra upp slutringen jämnt. Alla muttrar måste dras åt så många gånger som krävs för att uppnå erforderligt vridmoment (se tabell 1). Vid slutförandet ska det finnas ett jämnt radiellt mellanrum mellan röret och kopplingens slutring, där hela M (max)-linjen är synlig och ingen del av X (min)-linjen är synlig.
10. Besluta nu vilken slags anslutning som krävs: DRAGSÄKER ELLER ICKE DRAGSÄKER

**a. DRAGSÄKER** - Vid användning som dragsäker typ, dra åt diametralt motsatta bultar på de radiella fästelementen enligt Fig 4 och vrid varje mutter ett eller två varv åt gången för att griplorna ska gripa in jämnt. Alla muttrar måste dras åt så många gånger som krävs för att uppnå erforderligt vridmoment (se tabell 1).

**b. ICKE DRAGSÄKER** - När de radiella fästelementen används som icke dragsäkra fästelement får de inte dras åt. När UltraGrip installeras som en flexibel (icke dragsäker) produkt förhindrar den inte att röret dras ut och ett lämpligt externt stöd måste finnas.



# ULTRAGRIP FLÄNSADAPTRAR PN16 DN900

Rörmaterial, installationsdjup och bultdiametrar för UltraGrip-produkter

Tabell 3.

Nominell storlek	YD Intervall (mm)	Fläns nom storlek	Axiellt fäste		Radiellt fäste				Inställningsavstånd (mm)		Insättningsdjup (mm)		Tryckklassning för vatten		
			Pinnbult storlek	Rekommenderat bultvridmoment (Nm) för alla material	Bultstorlek	Rekommenderat bultvridmoment (Nm) för segjärn	Rekommenderat bultvridmoment (Nm) för PE	Rekommenderat bultvridmoment (Nm) för stål och gjutjärn*	Rekommenderat bultvridmoment (Nm) för MOPVC	A (min)	B (max)	X (min)	M (max)	Produkt med dragsäkerhet	Produkt med flexibilitet
DN900	892-927	800	M20	190-210	M16	N/A	140-150	110-120	N/A	540	565	220	245	16 bar	
DN900	892-927	900	M20	190-210	M16	N/A	140-150	110-120	N/A	300	325	220	245	16 bar	
DN900	926-961	900	M20	190-210	M16	190-210	N/A	110-120	N/A	500	525	220	245	16 bar	
DN900	958-993	900	M20	190-210	M16	N/A	N/A	110-120	N/A	500	525	220	245	16 bar	

**WARNING:** Om momentkraven för olika rörmaterial inte följs kan det leda till rörgidning. och / eller rörskador.

Tabell 4.

Rörmaterial	Dragsäker	Icke dragsäker	Stödhylsa krävs
Stål	✓	✓	
Segjärn	✓	✓	
Gjutjärn	✓	✓	
MOPVC	✗	✗	
PE100	✓	✓	✓
PE Barriär rör	✗	✗	
Asbestcement	✗	✓	

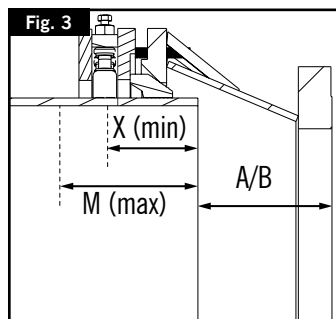
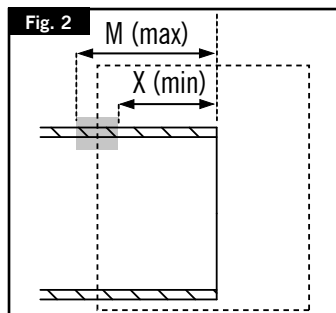
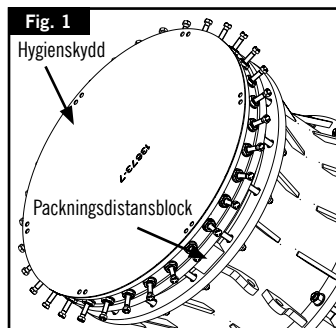
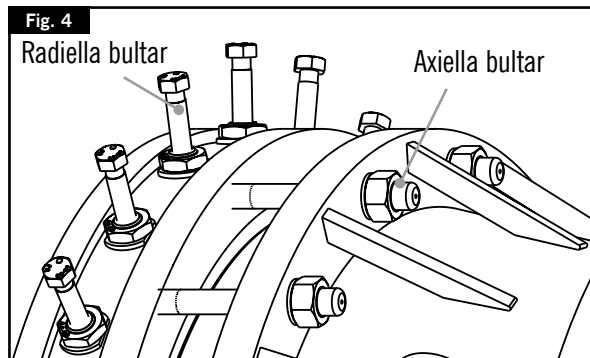
**Noteringar**

Dessa instruktioner gäller UltraGrips sortiment av flänsadaptar för användning på de rörmaterial som anges i tabellen. UltraGrip levereras färdigmonterad för användning som ändhuv (dragsäker) och bör inte demonteras för installation, såvida den inte ska användas som en flexibel (ej dragsäker) produkt, varvid gripbultarna inte ska dras åt.

Anläggningens testtryck = 1,5 gånger arbetstrycket  
Tjocka rörbeläggningar och rörinklädnader måste alltid avlägsnas.

Rörledningar ovan mark utsätts för både belastningar från det inre trycket och från temperaturförändringar/termisk expansion, vilket kan vara betydligt högre än från det inre trycket och kan inte alltid bestämmas på ett säkert sätt. UltraGrip kan användas i applikationer ovan jord där den inte utsätts för direkt solljus och ligger inom temperaturintervallet 40°C (mellan -20 °C och +60 °C).

\*110-120 vridmoment för gjutjärnsrör förutsätter att gjutjärnet har en väggjocklek på 32 mm och är i ett skick där den strukturella styrkan inte har äventyrats. För gjutjärnsrör med tunnare väggar, vänligen kontakta Viking Johnson för rekommenderat bultmoment.



# ULTRAGRIP FLÄNSADAPTRAR PN16 DN900



## Installationsanvisningar

1. Kontrollera att rörmaterial och rörstorleken passar till UltraGrip-flänsadaptorn. För PE använd alltid en stödhylsa. (se sidor 40-41)
2. Undersök rörens ändrar och se till att rörtorna är rena och fria från repor, grader, rost eller andra föroreningar eller ytdelar som kan påverka passformen. Svetssömmar måste slipas ned för att förbättra ytprofilen. Tjocka rörbeläggningar och rörinlädnader måste alltid avlägsnas. UltraGrip måste monteras antingen direkt på den obelagda rörytan eller på ett tunt färgskikt.
3. **Varning för risk:** Lyftgöglor, där sådana finns, är konstruerade/provade för att endast lyfta de komponenter som de är fästa vid. Underlåtenhet att följa dessa anvisningar kan leda till allvarliga personskador eller dödsfall eller materiella skador.

Se till att du är utbildad, kompetent och förtrogen med den lyftanordning och de tillbehör som ska användas. Se till att rätt utrustning används och att den är märkt med WLL (Working Load Limit) eller att det finns tabeller för att bestämma WLL. Säkerställ att du utför en visuell inspektion av lyftutrustningen och tillbehören innan du fortsätter med lyftet, kassera defekt utrustning. Säkerställ att arbetet utförs inom utrustningens WLL. Använd inte utrustning som är felaktig och använd den inte utanför WLL. Den måste kontrolleras av en behörig kontrollingenjör och omcertifieras. Utför endast sling- och kranmannuppgifter om du är kompetent och har fått utbildning. Detta måste tillhandahållas av en godkänd utbildningsleverantör. Gå aldrig under eller sväng en last över en person.

4. Alla UltraGrip-flänsadaptorer har hygienskydd (som består av biologiskt nedbrytbara buntband och biologiskt nedbrytbar vattenbeständig kartong) för att förhindra kontaminering. Detta skydd måste avlägsnas före montering (Fig 1). Packningsdistanblock (Fig 1) bör INTE avlägsnas i detta skede.
5. För att säkerställa korrekt installation, markera minsta och största rörinföringsdjup enligt tabell 3 runt hela omkretsen av båda rörändarna enligt Fig 2.
6. Skjut på UltraGrip-flänsadaptorn på röränden. Justera röret och UltraGrip-flänsadaptorn med motflänsen, montera flänspackningen (Viking Johnson rekommenderar en IBC-packning för optimal tätning) samt flänskopplingsbultarna. Se till att röret sätts in till ett djup mellan X (min) och M (max) enligt Fig 3 med hjälp av djupen från tabell 3. Justera vid behov. Dra åt flänskopplingsbultarna med hjälp av standardmetoden. När den mekaniska kopplingen är installerad på ett rakt rör. Produktens ände ska ligga mellan markeringarna för minsta och maximala installationsdjup X (min) och M (max) (se tabell 3).
7. Alla UltraGrip-flänsadaptorer har packningsdistanblock (Fig.1) som förhindrar att slutringarna kollapsar under transport. Detta måste avlägsnas före montering vid detta skede.
8. Dra åt diametralt motsatta muttrar på de axiella fästelementen enligt Fig 4. Vrid varje mutter ett eller två varv åt gången för att dra upp slutringen jämnt. Alla muttrar måste dras åt så många gånger som krävs för att uppnå erforderligt vridmoment (se tabell 3). Vid slutförandet ska det finnas ett jämnt radiellt mellanrum mellan röret och kopplingens slutring, där hela M (max)-linjen är synlig och ingen del av X (min)-linjen är synlig.
9. Besluta nu vilken slags anslutning som krävs: DRAGSÄKER ELLER ICKE DRAGSÄKER

**a. DRAGSÄKER** - Vid användning som dragsäker typ, dra åt diametralt motsatta bultar av de radiella fästelementen enligt Fig 4, och vrid varje bult ett eller två varv åt gången för att griplorna ska gripa in jämnt. Alla bultar måste dras åt så många gånger som krävs för att uppnå erforderligt vridmoment (se tabell 3).

**b. ICKE DRAGSÄKER** - När de radiella fästelementen används som icke dragsäkra fästelement får de inte dras åt. När UltraGrip installeras som en flexibel (icke dragsäker) produkt förhindrar den inte att röret dras ut och ett lämpligt externt stöd måste finnas.



# ULTRAGRIP FLÄNSADAPTRAR PN10 DN900

Rörmaterial, installationsdjup och bultdiametrar för UltraGrip-produkter

Tabell 5.

Nominell storlek	YD Intervall (mm)	Fläns nom storlek	Axiellt fäste				Radiellt fäste				Installationsavstånd (mm)		Insättningsdjup (mm)		Tryckklassning för vatten	
			Pinnbult storlek	Rekommenderat bultvridmoment (Nm) för alla material	Bultstorlek	Rekommenderat bultvridmoment (Nm) för segjärn	Rekommenderat bultvridmoment (Nm) för PE	Rekommenderat bultvridmoment (Nm) för stål och gjutjärn*	Rekommenderat bultvridmoment (Nm) för MOPVC	A (min)	B (max)	X (min)	M (max)	Produkt med dragsäkerhet	Produkt med flexibilitet	
DN900	892-927	800	M20	190-210	M16	N/A	140-150	110-120	N/A	525	550	220	245	10 bar		
DN900	892-927	900	M20	190-210	M16	N/A	140-150	110-120	N/A	280	305	220	245	10 bar		
DN900	926-961	900	M20	190-210	M16	190-210	N/A	110-120	N/A	380	405	220	245	10 bar		
DN900	958-993	900	M20	190-210	M16	N/A	N/A	110-120	N/A	430	455	220	245	10 bar		

**WARNING:** Om momentkraven för olika rörmaterial inte följs kan det leda till rörgidning. och / eller rörskador.

Tabell 6.

Rörmaterial	Dragsäker	Icke dragsäker	Stödhylsa krävs
Stål	✓	✓	
Segjärn	✓	✓	
Gjutjärn	✓	✓	
MOPVC	✗	✗	
PE100	✓	✓	✓
PE Barriär rör	✗	✗	
Asbestcement	✗	✓	

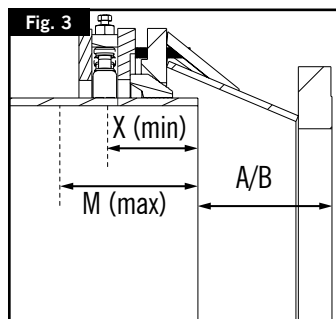
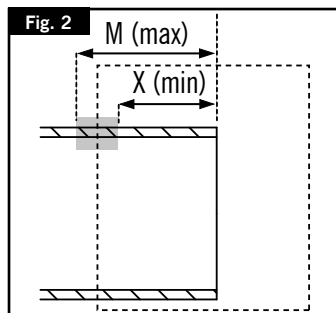
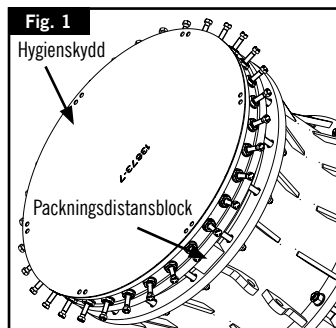
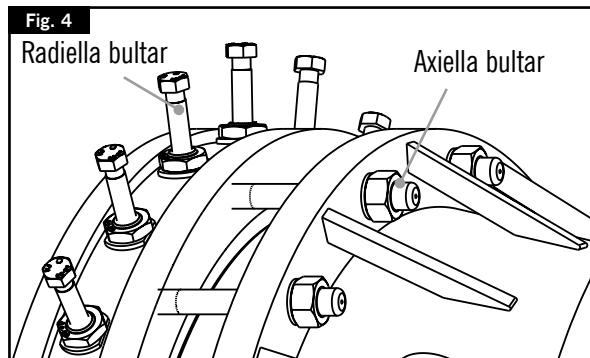
**Noteringar**

Dessa instruktioner gäller UltraGrips sortiment av flänsadaptar för användning på de rörmaterial som anges i tabellen. UltraGrip levereras färdigmonterad för användning som ändhuv (dragsäker) och bör inte demonteras för installation, såvida den inte ska användas som en flexibel (ej dragsäker) produkt, varvid gripbultarna inte ska dras åt.

Anläggningens testtryck = 1,5 gånger arbetstrycket  
Tjocka rörbeläggningar och rörinklädnader måste alltid avlägsnas.

Rörledningarna ovan mark utsätts för både belastningar från det inre trycket och från temperaturförändringar/termisk expansion, vilket kan vara betydligt högre än från det inre trycket och kan inte alltid bestämmas på ett säkert sätt. UltraGrip kan användas i applikationer ovan jord där den inte utsätts för direkt solljus och ligger inom temperaturintervallet 40°C (mellan -20 °C och +60 °C).

\*110-120 vridmoment för gjutjärnsrör förutsätter att gjutjärnet har en väggjocklek på 32 mm och är i ett skick där den strukturella styrkan inte har äventyrats. För gjutjärnsrör med tunnare väggar, vänligen kontakta Viking Johnson för rekommenderat bultmoment.



# ULTRAGRIP FLÄNSADAPTRAR PN10 DN900



### Installationsanvisningar

1. Kontrollera att rörmaterial och rörstorleken passar till UltraGrip-flänsadaptorn. För PE använd alltid en stödhylsa. (se sidor 40-41)
2. Undersök rörens ändrar och se till att rörtorna är rena och fria från repor, grader, rost eller andra föroreningar eller ytdelar som kan påverka passformen. Svetssömmar måste slipas ned för att förbättra ytprofilen. Tjocka rörbeläggningar och rörinlädnader måste alltid avlägsnas. UltraGrip måste monteras antingen direkt på den obelagda rörytan eller på ett tunt färgskikt.
3. **Varning för risk:** Lyftgöglor, där sådana finns, är konstruerade/provade för att endast lyfta de komponenter som de är fästa vid. Underlåtenhet att följa dessa anvisningar kan leda till allvarliga personskador eller dödsfall eller materiella skador.

Se till att du är utbildad, kompetent och förtrogen med den lyftanordning och de tillbehör som ska användas. Se till att rätt utrustning används och att den är märkt med WLL (Working Load Limit) eller att det finns tabeller för att bestämma WLL. Säkerställ att du utför en visuell inspektion av lyftutrustningen och tillbehören innan du fortsätter med lyftet, kassera defekt utrustning. Säkerställ att arbetet utförs inom utrustningens WLL. Använd inte utrustning som är felaktig och använd den inte utanför WLL. Den måste kontrolleras av en behörig kontrollingenjör och omcertifieras. Utför endast sling- och kranmannuppgifter om du är kompetent och har fått utbildning. Detta måste tillhandahållas av en godkänd utbildningsleverantör. Gå aldrig under eller sväng en last över en person.

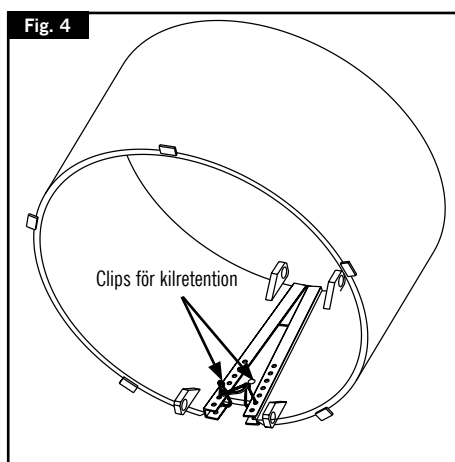
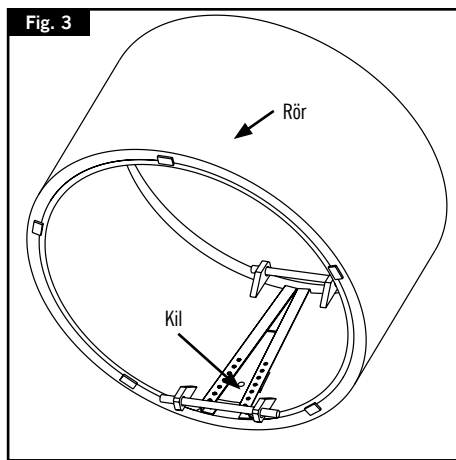
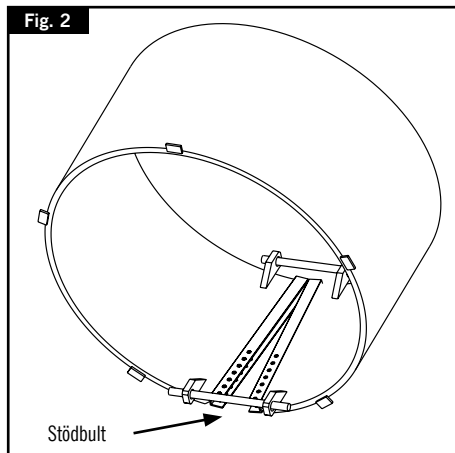
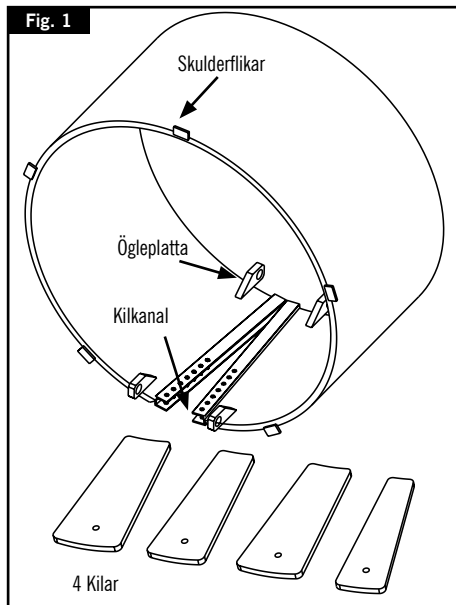
4. Alla UltraGrip-flänsadaptorer har hygieniskt skydd (som består av biologiskt nedbrytbara buntband och biologiskt nedbrytbar vattenbeständig kartong) för att förhindra kontaminering. Detta skydd måste avlägsnas före montering (Fig 1). Packningsdistanblock (Fig 1) bör INTE avlägsnas i detta skede.
5. För att säkerställa korrekt installation, markera minsta och största rörföringsdjup enligt tabell 5 runt hela omkretsen av båda rörändarna enligt Fig 2.
6. Skjut på UltraGrip-flänsadaptorn på röränden. Justera röret och UltraGrip-flänsadaptorn med motflänsen, montera flänspackningen (Viking Johnson rekommenderar en IBC-packning för optimal tätning) samt flänskopplingsbultarna. Se till att röret sätts in till ett djup mellan X (min) och M (max) enligt Fig 3 med hjälp av djupen från tabell 5. Justera vid behov. Dra åt flänskopplingsbultarna med hjälp av standardmetoden. När den mekaniska kopplingen är installerad på ett rakt rör. Produktens ände ska ligga mellan markeringarna för minsta och maximala installationsdjup X (min) och M (max) (se tabell 5).
7. Alla UltraGrip-flänsadaptorer har packningsdistanblock (Fig.1) som förhindrar att slutringarna kollapsar under transport. Detta måste avlägsnas före montering vid detta skede.
8. Dra åt diametralt motsatta muttrar på de axiella fästelementen enligt Fig 4. Vrid varje mutter ett eller två varv åt gången för att dra upp slutringen jämnt. Alla muttrar måste dras åt så många gånger som krävs för att uppnå erforderligt vridmoment (se tabell 5). Vid slutförandet ska det finnas ett jämnt radiellt mellanrum mellan röret och kopplingens slutring, där hela M (max)-linjen är synlig och ingen del av X (min)-linjen är synlig.
9. Besluta nu vilken slags anslutning som krävs: DRAGSÄKER ELLER ICKE DRAGSÄKER

**a. DRAGSÄKER** - Vid användning som dragsäker typ, dra åt diametralt motsatta bultar av de radiella fästelementen enligt Fig 4, och vrid varje bult ett eller två varv åt gången för att griplorna ska gripa in jämnt. Alla bultar måste dras åt så många gånger som krävs för att uppnå erforderligt vridmoment (se tabell 5).

**b. ICKE DRAGSÄKER** - När de radiella fästelementen används som icke dragsäkra fästelement får de inte dras åt. När UltraGrip installeras som en flexibel (icke dragsäker) produkt förhindrar den inte att röret dras ut och ett lämpligt externt stöd måste finnas.



# ULTRAGRIP RILSAN-BELAGDA STÖDHYSOR AV MJUKT STÅL FÖR PE OCH MOPVC AV STORLEKAR DN900





# ULTRAGRIP RILSAN-BELAGDA STÖDHYLSOR AV MJUKT STÅL FÖR PE OCH MOPVC AV STORLEKAR DN900



## Installationsanvisningar

1. Kontrollera att stödhylsan och kilarna är lämpliga för rörets YD och väggtjocklek.
2. Mät rörets diameter och välj rätt kil från de medföljande 4 uppsättningarna (se tabell 7 för PE).
3. För in hylsan i rörets hål tills skulderflikarna ligger an mot röränden.
4. Montera lämplig stödbult genom ögleplattan i hylsan (Fig 2).
5. Använd muttrarna på bultarna för att expandera hylsan tills den kommer i kontakt med rörhålet.
6. För in lämplig kil i hylsans kanal.
7. Tryck på kilen tills hylsan är helt expanderad mot rörets hål.(Fig 3)
8. Kläm fast clipsen för kilretention i kanalhålen närmast kilens ände för att förhindra att kilen glider ut.
9. När de två clipsen har satts in använder du ett tredje clips för att låsa ihop alla clipsen. (Fig 4)
10. Lossa muttrarna på stödbultarna och ta bort stödbultarna och muttrarna.

**WARNING:** Om beläggningen på kilen eller hylsan skadas kommer produkten att rosta; extra försiktighet måste iaktas när kilarna sätts in i hylsan för att undvika att beläggningen skadas.

Tabell 7.

Rörkod	Rörstorlek	Rör-OD		Rör-ID		Kil 1				Kil 2				Kil 3				Kil 4			
	(mm)	Min (mm)	Max (mm)	Min (mm)	Max (mm)	Min ID (mm)	Max ID (mm)	Kort kant (mm)	Lång kant (mm)	Min ID (mm)	Max ID (mm)	Kort kant (mm)	Lång kant (mm)	Min ID (mm)	Max ID (mm)	Kort kant (mm)	Lång kant (mm)	Min ID (mm)	Max ID (mm)	Kort kant (mm)	Lång kant (mm)
PE stödhylsor																					
900-SDR17	900	900	908.1	783	802	773	782	50	100	783	792	82	132	788	797	98	148	793	802	114	164
900-SDR21	900	900	908.1	805	822	796	804	50	100	805	813	79	129	810	818	94	144	814	822	108	158





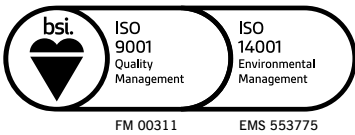
Every effort has been made to ensure that the information contained in this publication is accurate at the time of publishing. Crane Ltd assumes no responsibility or liability for typographical errors or omissions or for any misinterpretation of the information within the publication and reserves the right to change without notice.

Toutes les précautions ont été prises pour vérifier l'exactitude des informations figurant aux présentes au moment de la publication. Crane Ltd n'accepte aucune responsabilité ni obligation relatives à des erreurs typographiques ou omissions ou à une interprétation erronée des informations figurant dans la publication et se réserve le droit de la modifier sans préavis.

Es wurden alle erforderlichen Massnahmen getroffen, um zu gewährleisten, dass zum Zeitpunkt der Herausgabe alle Informationen in dieser Publikation akkurat und zutreffend sind. Crane LTD übernimmt keine Verantwortung oder Haftung für typografische Fehler, Auslassungen oder für etwaige Fehlinterpretationen innerhalb dieser Publikation und behält sich das Recht vor, Änderungen jederzeit und ohne vorherige Ankündigung vorzunehmen.

Byla vynaložena veškerá snaha k zajištění přesných informací obsažených v této publikaci v čase jejího vydání. Crane Ltd nepřebírá žádnou zodpovědnost nebo právní odpovědnost za typografické chyby nebo opomenutí nebo za jakýkoli mylný výklad těchto informací z této publikace a vyhrazuje si práva změny bez oznámení.

Alla ansträngningar har gjorts för att säkerställa att informationen i denna publikation är korrekt vid tidpunkten för publicering. Crane Ltd tar inget ansvar för typografiska fel eller utelämnanden eller för någon feltolkning av informationen i denna publikation och förbehåller sig rätten att göra ändringar utan föregående meddelande.



To visit our Video Library go to:

Pour visiter notre bibliothèque vidéos se rendre à:

Besuch unserer Videothek über:

K návštěvě naší video knihovny jděte na:

För att besöka vårt videobibliotek, gå till:

<http://www.youtube.com/user/CraneBSU>



46-48 WILBURY WAY  
HITCHIN,  
HERTFORDSHIRE  
SG4 0UD. UK

TELEPHONE: +44 (0)1462 443322  
FAX: +44 (0)1462 443311  
EMAIL: [info@vikingjohnson.com](mailto:info@vikingjohnson.com)  
[www.vikingjohnson.com](http://www.vikingjohnson.com)

DRI11594C\_08\_10\_2024\_C/FA\_REV04\_R39050VB