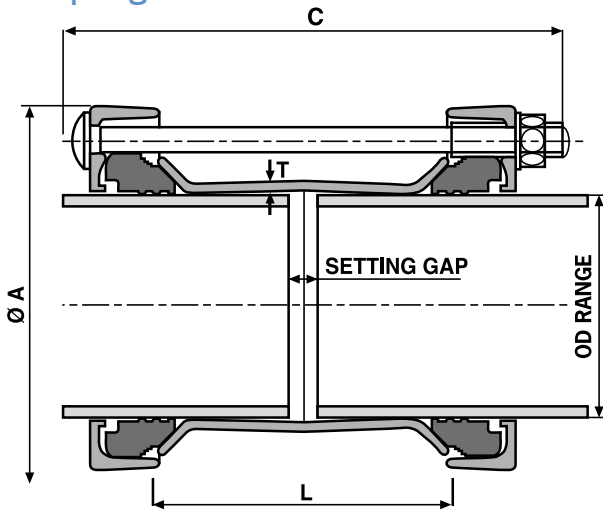


MegaFit Couplings

Datasheet

1/2

Coupling



Key

- A = End Ring Diameter
- C = Overall Length
- L = Sleeve Length
- T = Sleeve Thickness

MegaFit Couplings

DN	OD Range		Bolts No.-Dia x Length	A (mm)	C (mm)	Sleeve Length x Thickness L x T (mm)	Setting Gap		Gasket Mould No.	Weight (kg)
	Min (mm)	Max (mm)					Min (mm)	Max (mm)		
50	43.5	63.5	4-M12 x 235	151	242	144 x 5	18	60	6010	4.5
65	63.0	83.7	4-M12 x 235	171	242	144 x 5	18	60	6011	5.2
80	85.7	107.0	4-M12 x 260	192	267	170 x 5	18	100	6012	6.3
100	107.2	133.2	4-M16 x 290	231	300	180 x 5	18	110	6013	9.0
125	132.2	160.2	4-M16 x 290	265	300	180 x 5.5	18	110	6014	11.3
150	158.2	192.2	4-M16 x 340	308	350	213 x 5.5	18	130	6015	15.4
175	192.2	226.9	4-M16 x 340	344	350	215 x 7	18	130	6030	21.7
200	218.1	252.1	4-M16 x 340	369	350	220 x 8	18	135	6016	24.3
250	266.2	300.2	6-M16 x 420	417	430	300 x 8	18	215	6017	34.7
300	315.0	349.0	6-M16 x 420	466	430	300 x 8	18	215	6018	39.4

* Materials of construction at the discretion of Viking Johnson. Viking Johnson reserves the right to modify the details in this publication as products and specifications are updated and improved.

Every effort has been made to ensure that the information contained in this publication is accurate at the time of publishing. Crane Ltd assumes no responsibility or liability for typographical errors or omissions or for any misinterpretation of the information within the publication and reserves the right to change without notice.

DR10998_01_10_2024_ISSUE 8

Technical Information

Working Pressure Rating

Water 16 bar

Gas 6 bar

Vacuum Pressure

Capable of accommodating a vacuum pressure of -0.7 bar

Site Test Pressure

1.5 times working pressure for short duration (2 hours)

Angularity

Couplings 8°

The above are for when the product is on maximum pipe outside diameters; can achieve larger ones with smaller pipe diameters.

Bolt Torque/Spanner

M12; Torque 55-65Nm on every bolt

M16; Torque 95-110Nm on every bolt

Temperature Rating of Product

EPDM -20°C to +90°C

Nitrile -20°C to +90°C

For use on applications with fluctuating and / or elevated temperatures (> 60°C) may require regular maintenance to re-tighten the bolts and must be included in any maintenance schedule.

End Load Due to Internal Pressure

MegaFit DOES NOT resist end load due to the internal pressure - adequate external restraint must be provided to prevent pipe pull out.

Approvals

The following water contact materials used in MegaFit are approved for use with potable water:-

Rilsan Nylon 11:

➤ WRAS, DVGW, W270, ACS & KIWA

EPDM Gaskets:

➤ WRAS

Materials & Relevant Standards

Sleeve*

SG ductile iron BS EN 1563, EN GJS-450-10

End Rings*

SG ductile iron BS EN 1563, EN GJS-450-10

Coatings

Centre Sleeve & End Rings:

➤ Rilsan Nylon 11 to WIS 4-52-01 Part 1

Bolts & Nuts:

➤ Sheraplex to WIS 4-52-03

Gasket

EPDM compound Grade 'E' to BS EN 681-1 WRAS approved

Nitrile compound to DIN 3535-3

Bolts

Steel to BS EN ISO 898 Property Class Grade 8.8 equivalent
DIN 267 - Part 3:Class 8.8

Nuts

Steel to BS EN20898-2 Property Class 8.0

Washers

Stainless Steel to BS 1449:Pt2 grade 304 S15

* Materials of construction at the discretion of Viking Johnson. Viking Johnson reserves the right to modify the details in this publication as products and specifications are updated and improved.

Every effort has been made to ensure that the information contained in this publication is accurate at the time of publishing. Crane Ltd assumes no responsibility or liability for typographical errors or omissions or for any misinterpretation of the information within the publication and reserves the right to change without notice.