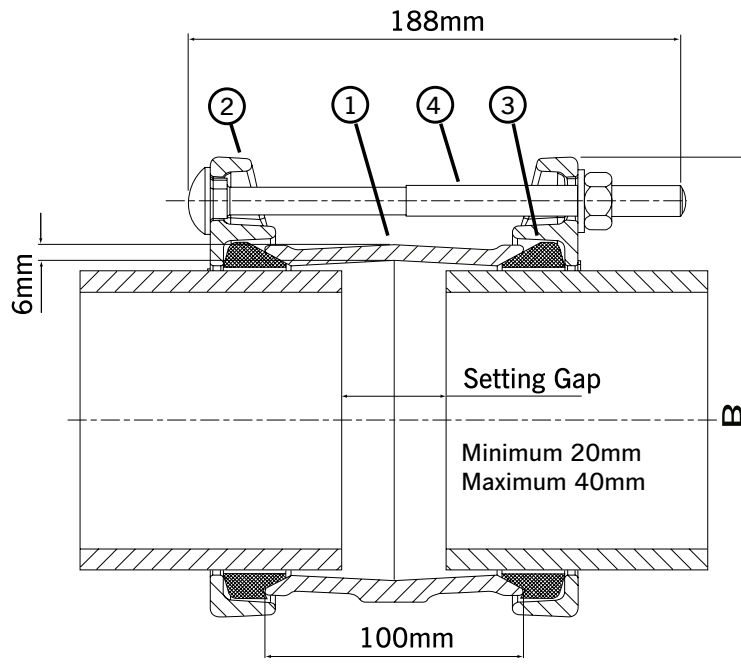


QuickFit Couplings

Datasheet

1/2

Coupling



Key

- 1 = Centre Sleeve
- 2 = End Ring
- 3 = Gasket
- 5 = Bolts, Nut & Washer

QuickFit Couplings

Size Range (mm)		Working Pressure (bar)	End Ring OD B (mm)	Bolt Size No.-Dia x Length	Gasket Mould No.	Weight (kg)
Min	Max					
47.9	51.3	46.6	136.0	2-M12 x 180	12477/41	2.22
59.5	63.3	46.6	148.0	2-M12 x 180	12477/1	2.51
75.3	79.1	46.6	164.0	2-M12 x 180	12477/5	2.89
88.1	91.9	46.6	177.0	4-M12 x 180	12477/7	3.81
95.8	100.2	46.6	185.0	4-M12 x 180	12477/10	4.00
107.2	111.0	46.6	196.0	4-M12 x 180	12477/12	4.26
113.5	120.2	46.6	205.0	4-M12 x 180	12477/15	4.48
138.9	142.7	44	228.0	4-M12 x 180	12477/19	5.02
158.2	162.0	38.8	254.0	4-M12 x 180	12477/21	6.32
167.5	172.3	36.9	264.0	4-M12 x 180	12477/24	6.59
192.9	196.7	32.2	292.0	4-M12 x 180	12477/26	8.06
218.3	224.4	35.8	319.0	4-M12 x 180	12477/29	8.89
272.2	276.5	34.8	372.0	6-M12 x 180	12477/34	11.15
323.1	328.6	29.5	424.0	6-M12 x 180	12477/37	12.76

Every effort has been made to ensure that the information contained in this publication is accurate at the time of publishing. Crane Ltd assumes no responsibility or liability for typographical errors or omissions or for any misinterpretation of the information within the publication and reserves the right to change without notice.

DR10998_01_10_2024_ISSUE 8

Technical Information

Working Pressure Rating

For Water / Wastewater applications as detailed in QuickFit Coupling Technical Data Table.

Gas 6 bar

Vacuum Pressure

Capable of accommodating a vacuum pressure of -0.7 bar

Site Test Pressure

1.5 times working pressure for short duration (2 hours)

Angularity

Couplings 6°

Bolt Torque/Spanner

M12; Torque 55-65Nm on every bolt

Spanner size A/F 19mm

Temperature Rating of Product

EPDM -20°C to +90°C

Nitrile -20°C to +90°C

For use on applications with fluctuating and / or elevated temperatures (> 60°C) may require regular maintenance to re-tighten the bolts and must be included in any maintenance schedule.

End Load Due to Internal Pressure

QuickFit DOES NOT resist end load due to the internal pressure - adequate external restraint must be provided to prevent pipe pull out.

Approvals

The following water contact materials used in QuickFit are approved for use with potable water:-

Rilsan Nylon 11:

➤ WRAS, DVGW, W270, ACS & KIWA

EPDM Gaskets:

➤ WRAS

In addition to the above, QuickFit range as a finished product has KIWA certification verifying that the above products comply with the requirements of the Water Supply (Water Fittings) Regulations for England and Wales 1999, the Water Byelaws 2000, Scotland and the Water Regulations Northern Ireland.

Materials & Relevant Standards

Centre Sleeve & End Rings

Ductile Iron to BS EN1563: Symbol EN-GJS-450-10

Gaskets

EPDM to BS EN681-1, TYPE WA, WC

Nitrile to BS EN682:Type G

Other grades are available - contact Viking Johnson for details

Coatings

Centre Sleeve & End Rings:

➤ Rilsan Nylon 11 to WIS 4-52-01 Part 1

Other coatings available: Scotchkote, Galvanised

Tee bolts, CDX Bolts & Nuts:

➤ Sheraplex to WIS 4-52-03

Tee Bolts/Bolts

Standard - Steel to BS EN ISO 898-1: property class 4.8

Option - Stainless Steel to BS EN ISO 3506-1: grade A4 property class 50

Nuts

Standard - Steel to BS EN 20898-2: property class 8

Option - Stainless Steel to BS EN ISO 3506-2: grade A4 property class 80

Washers

Stainless Steel to BS1449:PART 2: GRADE 304S15