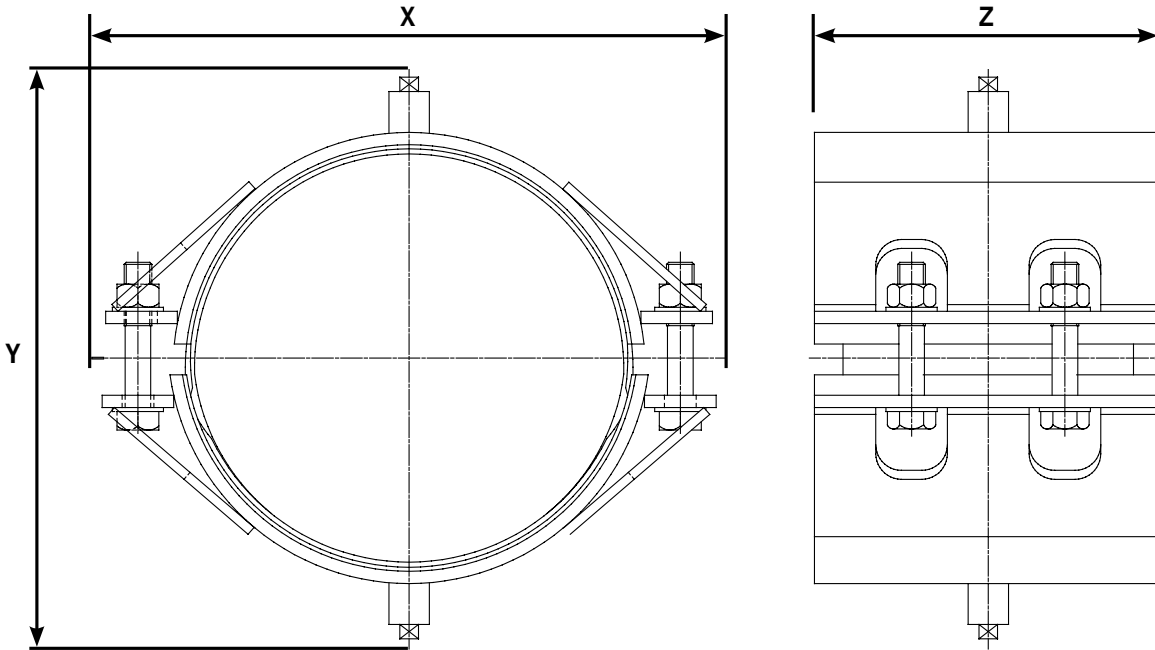


EasiClamp & EasiTap Large Diameter

Datasheet 1/2

EasiClamp Large Diameter



EasiClamp Large Diameter

Nominal Diameter		OD Range		Dimensions			Bolt Size No.-Dia x Length	Weight (kg)	Outlet BSP Threaded Size	Working Pressure
		Min (mm)	Max (mm)	X (mm)	Y (Max) (mm)	Z (mm)				
14"	DN350	372	396	586	542	340	4-M30 x 160mm	69	1" BSP	16 bar
16"	DN400	420	444	636	590	340	4-M30 x 160mm	111	1" BSP	16 bar
18"	DN450	468	492	687	639	340	4-M30 x 160mm	119	1" BSP	16 bar
20"	DN500	520	544	748	685	340	4-M30 x 160mm	176	1" BSP	16 bar
24"	DN600	621	645	913	794	340	4-M33 x 180mm	297	1" BSP	16 bar
28"	DN700	726	752	1022	900	340	4-M33 x 180mm	326	1" BSP	10 bar

Every effort has been made to ensure that the information contained in this publication is accurate at the time of publishing. Crane Ltd assumes no responsibility or liability for typographical errors or omissions or for any misinterpretation of the information within the publication and reserves the right to change without notice.

DR10998_01_10_2024_ISSUE 8

EasiClamp & EasiTap Large Diameter

Datasheet

2/2

Technical Information

Working Pressure Rating

Water, up to 24", 16 bar, from 28", 10 bar
Gas not approved

Vacuum Pressure

Capable of accommodating a vacuum pressure of -0.7 bar

Site Test Pressure

1.5 times working pressure for short duration (2 hours)

Angularity

EasiClamp and EasiTap fittings are not able to accommodate any angularity.

Bolt Torque/Spanner

M30; Torque 550-575Nm on every bolt
Spanner size A/F 46mm
M33; Torque 615-645Nm on every bolt
Spanner Size A/F 50mm

Temperature Rating of Product

EPDM -20°C to +40°C

EasiClamp and EasiTap fittings are not suitable for use on heating systems with fluctuating temperatures.

End Load Due to Internal Pressure

EasiClamp and EasiTap DO NOT resist end load due to the internal pressure - adequate external restraint must be provided to prevent pipe pull out from the clamp.

Approvals

The following water contact materials used in four bolt EasiClamp and EasiTap are approved for use with potable water:-

Rilsan Nylon 11:

- WRAS, DVGW, W270, ACS & KIWA

EPDM Gaskets:

- WRAS

Materials & Relevant Standards

Housing

Plain Housing:

- Steel to BS EN10025-2:Grade S275JR

Tapped Housing (Boss):

- Steel to BS EN10025

Bridging Plate

Stainless Steel to BS1449: Part 2 Grade 304S15 2B Finish

Plug

Leaded Gunmetal to BS1400: Designation LG2

Gasket

60 IRHD EPDM to BS2494:W WFBS listed

Coatings

Plain Housing:

- Rilsan Nylon 11 to WIS 4-52-01 (Part1)

Tapped Housing:

- Rilsan Nylon 11 to WIS 4-52-01 (Part1)

Bolts & Nuts:

- Sheraplex to WIS 4-52-03

Bolts

Standard - Steel to BS EN ISO 898-1 Property Class 4.8

Nuts

Standard - Steel to BS EN20898-2 Property Class 8.0

Washers

Steel to BS EN10083 Part 1 Grade C22E