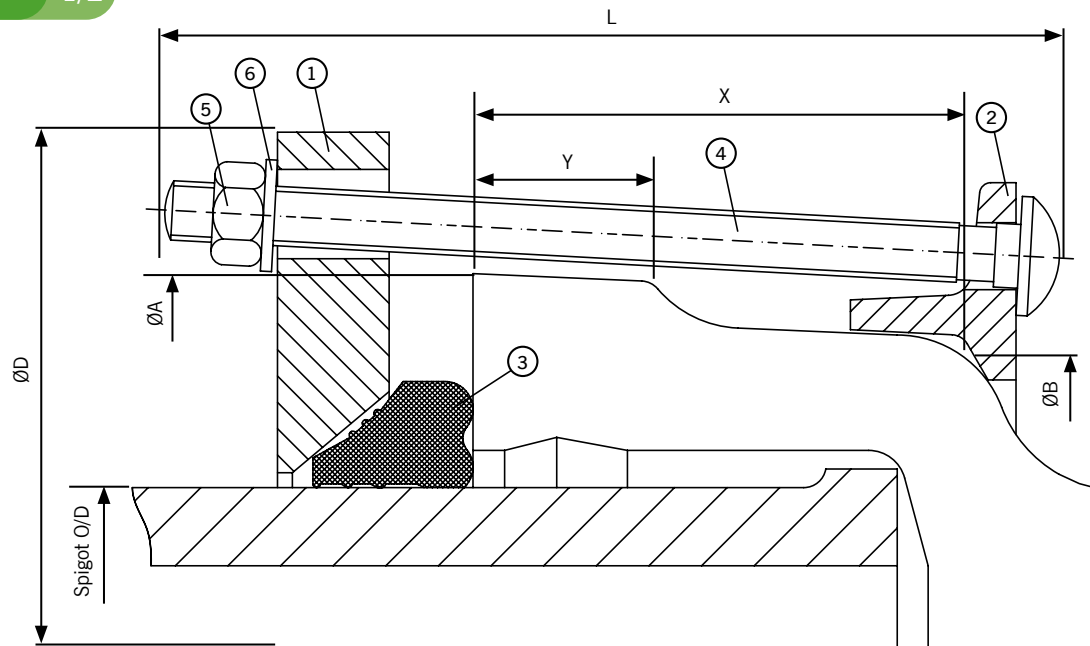


EasiCollar DN300 to DN1200

Datasheet

1/2



EasiCollar to suit Cast Iron*

Pipe nom **		L (mm)	ØD (mm)
mm	inches		
80	3 AB CD	-	-
100	4 AB CD	-	-
125	5 AB CD	-	-
150	6 AB CD	-	-
200	8 AB CD	-	-
225	9 AB CD	-	-
250	10 AB CD	-	-
300	12 AB	261	527
300	12 CD	261	550
350	14 AB	261	585
350	14 CD	261	611
375	15 AB	261	614
375	15 CD	261	641
400	16 AB	261	642
400	16 CD	261	671
450	18 AB	261	703
450	18 CD	261	734
500	20 AB	261	751
500	20 CD	261	783
525	21 AB	261	781
525	21 CD	261	813
600	24 AB	286	867
600	24 CD	286	902
675	27 AB	286	954
675	27 CD	286	990
750	30 AB	286	1057
750	30 CD	286	1076
825	33 AB	286	1143
825	33 CD	286	1164
900	36 AB	286	1228
900	36 CD	286	1249
1050	42 AB	286	1400
1050	42 CD	286	1423
1200	48 AB	286	1570
1200	48 CD	286	1595

* Other pipe materials and spigot and socket dimensions may be catered for. Please see EasiCollar Features & Benefits for pipe materials.

** Larger sizes available on request.

NB: Sizes 80mm - 250mm will also suit Ductile Iron spigot & sockets with the same nominal bore.

Every effort has been made to ensure that the information contained in this publication is accurate at the time of publishing. Crane Ltd assumes no responsibility or liability for typographical errors or omissions or for any misinterpretation of the information within the publication and reserves the right to change without notice.

DR10998_01_10_2024_ISSUE 8

Technical Information

Working Pressure Rating

Water 16 bar

Gas not approved

For sizes over DN700 contact Viking Johnson.

Vacuum Pressure

Capable of accommodating a vacuum pressure of -0.7 bar

Site Test Pressure

1.5 times working pressure for short duration (2 hours)

Angularity

EasiCollar fittings are able to accommodate angularity in line with what the spigot and socket joint can accommodate.

Bolt Torque/Spanner:

M16; Torque 95-110Nm on every bolt

Spanner size A/F 24mm

M20; Torque 150-165Nm on every bolt

Spanner size A/F 30mm

Temperature Rating of Product

EPDM -20°C to +40°C

EasiCollar is not suitable for use on heating systems with fluctuating temperatures.

Approvals

The following water contact materials used in EasiCollar are approved for use with potable water:-

Rilsan Nylon 11:

➤ WRAS, DVGW, W270, ACS & KIWA

EPDM Gaskets:

➤ WRAS

Materials & Relevant Standards

Materials

- 1) Compression Flange - Steel BS EN10025-2 Grade S275JR
- 2) Anchor End Ring - Steel BS EN10025-2 Grade S275JR
- 3) Gasket - 61 IRHD EPDM Compound Ref. CVE61
- 4) Bolts - Steel BS EN ISO 898-1 Property Class 4.8
- 5) Nuts - Steel BS4190 Grade 4
- 6) Washers - Stainless Steel to BS1449:Part 2 Grade 304 S15

Finish Specification

Compression Flange (Part 1) Rilsan Nylon II - Black

Anchor End Ring (Part 2) Rilsan Nylon II - Black

Bolts and Nuts - Sheraplex coated to WIS 4-52-03

Note: Due to the number of different types of spigot and socket joints, with varying tolerances, when enquiring about EasiCollar a form is available with the dimensions required, please contact the Marketing Department for more information.

EasiCollar products are manufactured to order. For detailed dimensional data please contact Viking Johnson.

Every effort has been made to ensure that the information contained in this publication is accurate at the time of publishing. Crane Ltd assumes no responsibility or liability for typographical errors or omissions or for any misinterpretation of the information within the publication and reserves the right to change without notice.