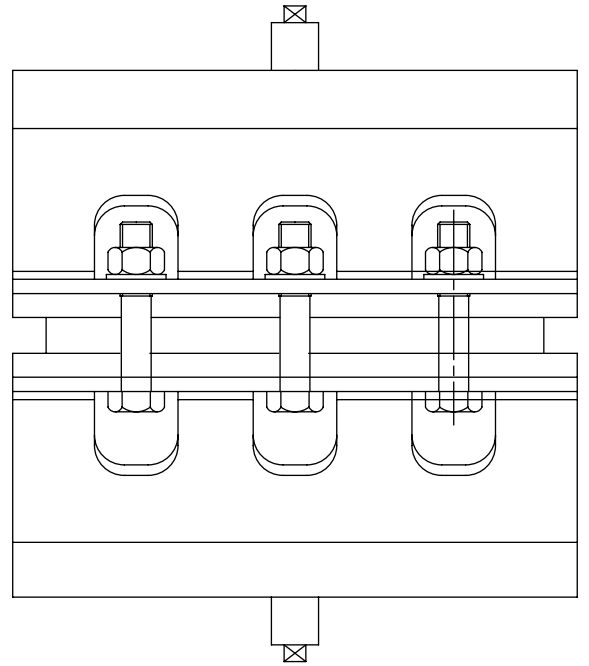
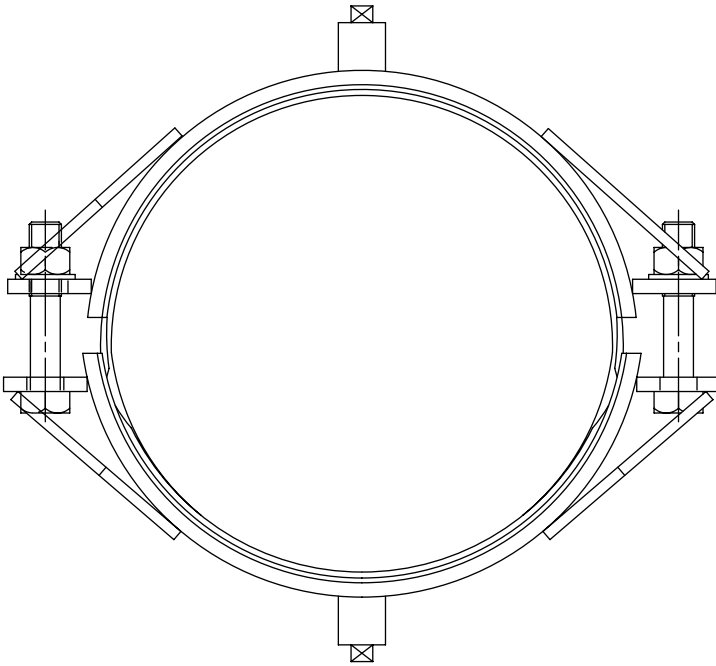


MattSeal EasiTap

Datasheet

1/2



Working Pressure Ratings

Nominal Size	Working Pressure
Up to DN700	16 Bar
> DN700	Up to 16 Bar

Pipe Materials



MattSeal EasiTap products are manufactured to order. For detailed dimensional data please contact Viking Johnson.

Every effort has been made to ensure that the information contained in this publication is accurate at the time of publishing. Crane Ltd assumes no responsibility or liability for typographical errors or omissions or for any misinterpretation of the information within the publication and reserves the right to change without notice.

DR10998_01_10_2024_ISSUE 8

Technical Information

Working Pressure Rating (Up to DN700)

Water 16 bar

Gas not approved

For sizes over DN700 contact Viking Johnson.

Vacuum Pressure

Capable of accommodating a vacuum pressure of -0.7 bar

Site Test Pressure

1.5 times working pressure for short duration (2 hours)

Angularity

MattSeal EasiTee fittings are not able to accommodate any angularity.

Bolt Torque/Spanner:

M16; Torque 95-110Nm on every bolt

Spanner size A/F 24mm

M20; Torque 150-165Nm on every bolt

Spanner size A/F 30mm

M24; Torque 285-300Nm on every bolt

Spanner size A/F 36mm

M30; Torque 550-575Nm on every bolt

Spanner size A/F 46mm

M36; Torque 615-645Nm on every bolt

Spanner size A/F 50mm

Temperature Rating of Product

EPDM -20°C to +40°C

MattSeal EasiTee is not suitable for use on heating systems with fluctuating temperatures.

Loads from Drilling Equipment and Valve / Branch Pipework

MattSeal EasiTee is not designed to accommodate / resist the loads from the under pressure drilling equipment, which needs to be supported externally during the operation to drill into the main. In addition, the valve and branch pipework needs to be adequately supported to ensure none of the dead / live loads are imposed in the branch outlet in the MattSeal EasiTee.

Approvals

The following water contact materials used in MattSeal EasiTee are approved for use with potable water:-

Rilsan Nylon 11:

➤ WRAS, DVGW, W270, ACS & KIWA

EPDM Gaskets:

➤ WRAS

In addition to the above, MattSeal EasiTee as a finished product has KIWA certification verifying that the above products comply with the requirements of the Water Supply (Water Fittings) Regulations for England and Wales 1999, the Water Byelaws 2000, Scotland and the Water Regulations Northern Ireland.

Materials & Relevant Standards

1) Housing

Steel BS EN10025-2 Grade S275JR

Outlet Steel tube to BS EN 10255

2) Bridging Plate

Stainless Steel BS1449:Part 2 Grade 304S15

3) Saddle Gasket

60 IRHD EPDM to BS EN681-1

4) Housing Gasket

60 IRHD EPDM to BS EN681-1

5) Bolts, Nuts and Washers

Bolts - Steel BS EN ISO898-1 Property Class 4.8

Nuts - Steel BS4190 Grade 4

Washers - Steel BS EN10083:Part 1 Grade C22E

Finish Specification

1) Housing - Rilsan Nylon II

2) Bolt - Sheraplex coated to WIS 4-52-03