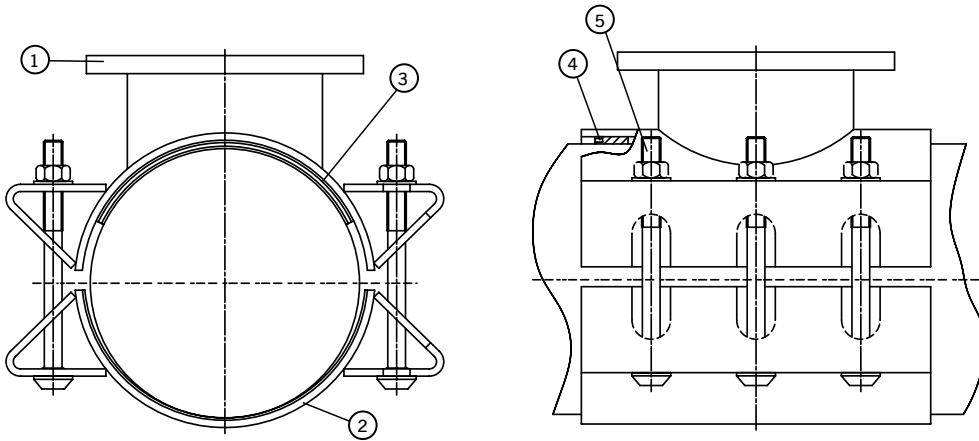


RingSeal EasiTee

Datasheet 1/2



- Key**
- 1 = Branch Housing
 - 2 = Plain Housing
 - 3 = Gasket
 - 4 = Gasket retainer
 - 5 = Bolt, Nut & Washer

RingSeal EasiTee – Branch Outlet Sizes Available for Suitable Pipe Materials

The Following table provides details on branch outlet that is possible on various pipe materials for RingSeal. If the outlet/nom size is not available, see MattSeal EasiTee as alternative.

Host / Main		Flanged Outlet										
Nom	Dia	DN80	DN100	DN150	DN200	DN250	DN300	DN350	DN400	DN450	DN500	DN600
Steel and Ductile Iron Pipe Material												
DN350	14"	✓	✓	✓	✓	✓	✓	✓	-	-	-	-
DN400	16"	✓	✓	✓	✓	✓	✓	✓	-	-	-	-
DN450	18"	✓	✓	✓	✓	✓	✓	✓	✓	✓	-	-
DN500	20"	✓	✓	✓	✓	✓	✓	✓	✓	✓	✓	-
DN600	24"	✓	✓	✓	✓	✓	✓	✓	✓	✓	✓	✓
DN700	28"	✓	✓	✓	✓	✓	✓	✓	✓	✓	✓	✓
DN800	32"	✓	✓	✓	✓	✓	✓	✓	-	-	-	-
DN900	36"	✓	✓	✓	✓	✓	✓	-	-	-	-	-
DN1000	40"	✓	✓	✓	✓	✓	-	-	-	-	-	-
DN1100	44"	✓	✓	✓	✓	✓	-	-	-	-	-	-
DN1200	48"	✓	✓	✓	✓	✓	-	-	-	-	-	-
Cast Iron Pipe Material												
DN350	14"	✓	✓	✓	✓	-	-	-	-	-	-	-
DN400	16"	✓	✓	✓	✓	✓	-	-	-	-	-	-
DN450	18"	✓	✓	✓	✓	✓	✓	-	-	-	-	-
DN500	20"	✓	✓	✓	✓	✓	✓	✓	-	-	-	-
-	21"	✓	✓	✓	✓	✓	✓	✓	-	-	-	-
-	22"	✓	✓	✓	✓	✓	✓	✓	-	-	-	-
DN600	24"	✓	✓	✓	✓	✓	✓	✓	✓	-	-	-
-	26"	✓	✓	✓	✓	✓	✓	✓	✓	-	-	-
-	27"	✓	✓	✓	✓	✓	✓	✓	✓	-	-	-
DN700	28"	✓	✓	✓	✓	✓	✓	✓	✓	-	-	-
-	30"	✓	✓	✓	✓	✓	✓	✓	-	-	-	-
DN800	32"	✓	✓	✓	✓	✓	✓	✓	-	-	-	-
-	33"	✓	✓	✓	✓	✓	✓	-	-	-	-	-
-	34"	✓	✓	✓	✓	✓	✓	-	-	-	-	-
DN900	36"	✓	✓	✓	✓	✓	✓	-	-	-	-	-
DN1000	40"	✓	✓	✓	✓	✓	-	-	-	-	-	-
-	42"	✓	✓	✓	✓	✓	-	-	-	-	-	-
DN1100	44"	✓	✓	✓	✓	✓	-	-	-	-	-	-
DN1200	48"	✓	✓	✓	✓	✓	-	-	-	-	-	-

RingSeal EasiTee products are manufactured to order. For detailed dimensional data please contact Viking Johnson.

Every effort has been made to ensure that the information contained in this publication is accurate at the time of publishing. Crane Ltd assumes no responsibility or liability for typographical errors or omissions or for any misinterpretation of the information within the publication and reserves the right to change without notice.

DR10998_01_10_2024_ISSUE 8

Technical Information

Working Pressure Rating

Water 16 bar

Gas not approved

Vacuum Pressure

Capable of accommodating a vacuum pressure of -0.7 bar

Site Test Pressure

1.5 times working pressure for short duration (2 hours)

Angularity

RingSeal EasiTee fittings are not able to accommodate any angularity.

Bolt Torque/Spanner:

M16; Torque 95-110Nm on every bolt

Spanner size A/F 24mm

Temperature Rating of Product

EPDM -20°C to +40°C

RingSeal EasiTee is not suitable for use on heating systems with fluctuating temperatures.

Loads from Drilling Equipment and Valve / Branch Pipework

RingSeal EasiTee is not designed to accommodate / resist the loads from the under pressure drilling equipment, which needs to be supported externally during the operation to drill into the main. In addition, the valve and branch pipework needs to be adequately supported to ensure none of the dead / live loads are imposed in the branch outlet in the RingSeal EasiTee.

Approvals

The following water contact materials used in RingSeal EasiTee are approved for use with potable water:-

Rilsan Nylon 11:

- WRAS, DVGW, W270, ACS & KIWA

EPDM Gaskets:

- WRAS

In addition to the above, RingSeal EasiTee as a finished product has KIWA certification verifying that the above products comply with the requirements of the Water Supply (Water Fittings) Regulations for England and Wales 1999, the Water Byelaws 2000, Scotland and the Water Regulations Northern Ireland.

Materials & Relevant Standards

Branch Housing:

Steel BS EN10025-2 Grade S275JR

Steel tube to BS EN 10216-1 Grade P265TRI
or Steel tube to BS EN 10255

Plain Housing

Steel BS EN10025-2 Grade S275JR

Gasket

Rubber BS EN681-1 70 Hardness Grade EPDM

Gasket Retainer

Steel BS EN10025-2 Grade S275JR

Coatings

Branch Housing:

- Rilsan Nylon 11 to WIS 4-52-01 (Part1)

Plain Housing:

- Rilsan Nylon 11 to WIS 4-52-01 (Part1)

Gasket Retainer:

- Zinc Plate to BS1706:1990 Fe/Zn8 c1 B

Bolt, Nut & Washer:

- Sheraplex coated to WIS 4-52-03

Bolt

Steel BS EN ISO 898-1 Property Class 8.8

Nuts

Steel BS EN20898-2 Property Class 8.0

Washers

Stainless Steel BS EN ISO3506-1 Grade A2
Property Class 50 (304)