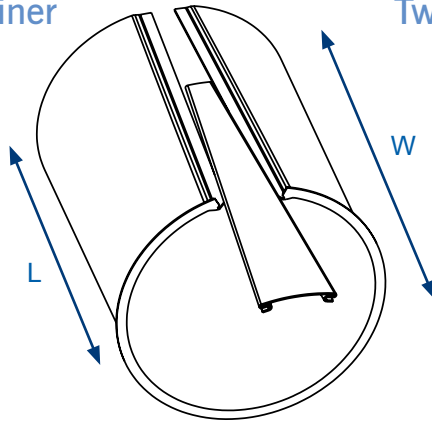


UltraGrip Support Liner for PE & PVC Pipes DN40 to DN600

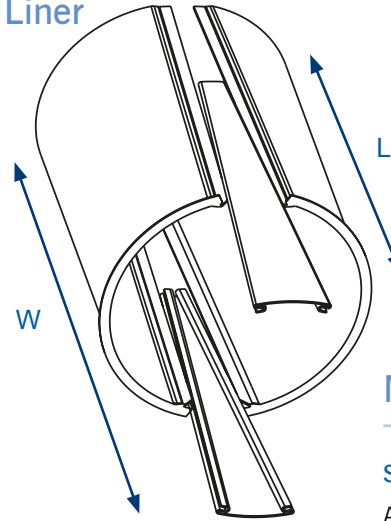
Datasheet

1/1

One Part Liner



Two Part Liner



Materials

Stainless steel
ASTM, AISI 304

Table Key

- ✓ = Requires a Support Liner and products available
- A = Requires a support line, which is technically proven; contact Viking Johnson with regard to availability
- = Liners not available for this pipe size / SDR rating

Note: If PVC pipe wall thickness is thinner than stated in table contact Viking Johnson to verify availability of liners. If a stainless steel liner is required, the dimensions will be as per the equivalent sized one for PE pipe.

UltraGrip Stainless Steel Support Liners

For PE Pipes

Pipe OD	PE pipes - Stainless steel support liners need and availability for different SDR ratings					Stainless steel support liner details			
	SDR9	SDR11	SDR13.6	SDR17	SDR21	T (mm)	L (mm)	W (mm)	No Wedges
40	–	✓	–	–	–	1.5	110	–	None
50	–	✓	–	✓	–	1.5	110	–	None
63	A	✓	✓	✓	✓	1.0	135	220	1
75	A	✓	A	✓	✓	1.0	135	220	1
90	A	✓	✓	✓	✓	1.0	135	220	1
110	A	✓	✓	✓	✓	1.0	150	220	1
125	A	✓	A	✓	✓	1.0	150	220	1
140	A	✓	A	✓	✓	1.0	150	220	1
160	A	✓	✓	✓	✓	1.0	175	220	1
180	A	✓	B	✓	✓	1.0	175	220	1
200	A	✓	A	✓	✓	2.0	210	220	1
225	A	✓	A	✓	✓	2.0	180	300	1
250	✓	✓	A	✓	✓	2.0	180	300	1
280	A	✓	✓	✓	✓	2.0	200	300	1
315	✓	✓	A	✓	✓	2.0	200	300	1
355	✓	✓	A	✓	✓	2.0	200	300	1
400	✓	✓	✓	✓	✓	2.0	200	300	1
450	A	✓	✓	✓	✓	3.0	240	300	2
500	A	✓	A	✓	A	3.0	240	300	2
560	A	✓	A	✓	A	3.0	240	300	2
630	A	✓	A	✓	A	3.0	240	300	2
710	A	✓	A	✓	A	3.0	240	300	2

For Metric PVC Pipes

Pipe OD	PVC pipes with wall thickness greater than that notes do not need a support liner when use with UltraGrip
63	3.4mm & Over
75	3.6mm & Over
90	4.3mm & Over
110	5.3mm & Over
125	6.0mm & Over
140	6.7mm & Over
160	7.7mm & Over
180	8.6mm & Over
200	9.6mm & Over
225	10.8mm & Over
250	11.9mm & Over
280	13.4mm & Over
315	15.0mm & Over
355	16.9mm & Over
400	19.1mm & Over
450	21.5mm & Over
500	23.9mm & Over
560	26.7mm & Over
630	30.0mm & Over

Every effort has been made to ensure that the information contained in this publication is accurate at the time of publishing. Crane Ltd assumes no responsibility or liability for typographical errors or omissions or for any misinterpretation of the information within the publication and reserves the right to change without notice.

Couplings & Flange Adaptors

Wide Tolerance

DR10998_01_10_2024_ISSUE 8