

# EasiRange®

AVAILABLE  
UP TO  
DN700

A Versatile Rapid Solution for Pipe Repair & Tapping

EasiClamp, EasiTap, EasiTee  
& EasiCollar

 **VIKING JOHNSON®**





# The Simple, yet advanced repair and under pressure tapping solution

The Viking Johnson EasiRange has been developed to provide a comprehensive range of pipe repair and tapping products to serve the needs of today's water industry. The EasiRange of products includes:-

Repair Clamps	DN50 to DN700	EasiClamp
	DN350 to DN600	MattSeal EasiTap
Under Pressure Tapping (½" to 2" D&T outlets)	DN50 to DN700	EasiTap
	DN350 to DN600	MattSeal EasiTap
Under Pressure Tees (Flanged Outlets)	DN50 to DN300	Universal EasiTee
	DN350 to DN600	MattSeal EasiTee
	DN350 to DN1200	RingSeal EasiTee
Repairing Spigot & Socket Joints	DN350 to DN1200	EasiCollar

## Repair Clamps & Under Pressure Tapping (½" to 2" D&T Outlets)

In the size range DN50 to DN700, as standard the EasiClamp and EasiTap products come in two halves with four self-retaining bolts that reduces the potential for them being lost during installation. A key advantage of this variant is once the product has been installed over the damaged pipe, selective tightening of the four bolts allows an operatives to re-align pipes with circumferential breaks that have moved apart in service. In addition, with the four bolt variant Viking Johnson has introduced a new Stainless Steel bolt option on the established EasiClamp and EasiTap repair range. This will give the customer an enhanced corrosion protection and increase the longevity of the product.



### Pipe Materials



<sup>1</sup> Not suitable for EasiTee

<sup>2</sup> Not suitable for EasiCollar

<sup>3</sup> Only suitable for EasiCollar



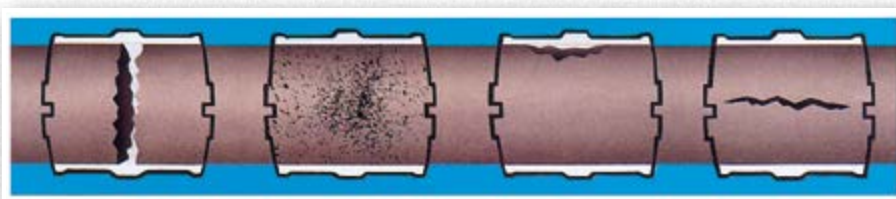
In the three high volumes sizes (DN80, DN100 and DN150) a hinged two-bolt variant is available. This clamp consists of two halves that are hinged and can be fully opened to permit quicker and easier fitting on the pipe. Unlike the four-bolt clamps, where the operative has to position the two halves of the clamp on either side of the pipe, the hinged two-bolt clamp is simply fully opened, positioned over the top of pipe and then under its self-weight the hinged halves drop, close and are locked into position by the two patented self-retaining bolts. While this easier means of installation reduces the length of time an operative is working adjacent to the damaged pipe, with only two bolts there is limited scope to re-align fractured pipe making this more suitable for pinhole corrosion, impact damage and longitudinal fractures.

The two-bolt hinged repair clamp also incorporates lugs that will facilitate connection to equipment that can install the clamp from the trench side, negating the need for an operator to enter the excavation. This, along with the self-locating bolts that lock into position when the clamp is on the pipe means the fittings are ready for the future when keyhole vacuum excavation is used to access pipelines to undertake repairs.

For the sizes DN350 to DN600, the Viking Johnson MattSeal EasiTap is used for both repairing pipes and to tap an outlet. Fabricated in steel with a 24mm tolerance on outside diameter and always supplied with a D&T outlet that can be left open while installing on a pressurised damaged pipe to relieve the pressure, these products provide an ideal means to repair larger diameter mains.

In all cases, the iron bodied EasiClamp and EasiTap products provide a permanent repair / outlet that is as strong as the original pipe.

### Repair Clamps are ideal for



Circumferential breaks

Corrosion holes

Impact damage

Longitudinal cracks

### Under Pressure Tees (Flanged Outlets)

Universal EasiTee (DN50 to DN300) features a pipe outside diameter tolerance of up to 26mm, meaning that one fitting will suite the majority of pipe ODs for the same nominal bore, and combining this with the ability to have a flanged outlet the same size as the host pipe makes this an ideal product to stock. The unique “swing over bolts” also makes installing easy in the field as there is reduced chance of losing components in the trench.

For the larger diameters (DN350 and over), Viking Johnson offers two options:-

#### MattSeal EasiTee (DN350 to DN600)

Fabricated in steel and incorporating the full waffle gasket offering a 12mm tolerance, this range allows the installer to take a branch outlet of the same diameter as the host pipe. Ideal for use on cast iron pipes the waffle gasket prevents leakage caused by potential stress fractures induced in cast iron mains when installing the branch outlet.

#### RingSeal EasiTee (DN350 to DN1200)

Fabricated in steel but using a gasket that seals around the outlet cut into the host pipe, RingSeal offers a lighter weight and more cost effective product that is ideal for steel and ductile iron pipe, or where on cast iron pipe the flanged outlet less than 70% of the host pipe diameter.

The datasheets for the two products provides more information on when best to use MattSeal and RingSeal EasiTee products.



### Repairing Spigot & Socket Joints

EasiCollar is an adaptable repair collar that provides an effective, permanent repair to leaking spigot and socket joints; once installed, the gasket reinforces the seal of the spigot and socket joint. Installation can take place whilst the mains pressure is on, avoiding costly shutdowns that disrupt supply to customers and once installed EasiCollar provides a permanent repair with no need for any future maintenance.



### Permanent Seal

EasiClamp, EasiTap, and EasiTee (Universal and Matt Seal) products guarantee a reliable, permanent seal even on badly corroded pipes. A unique feature of these products is Viking Johnson's 100% circumferential 'Waffle' gasket, which provides a leak tight seal and also caters for circumferential or longitudinal cracks. The EPDM gasket, which is WRAS approved for use with potable water, ensures a reliable and permanent leak tight solution with working pressure of 16 bar and site test pressure of 24 bar.

RingSeal EasiTee uses a twin seal gasket to provide a permanent seal at the point of tapping.

### Minimise Stockholding

Wide tolerance range – each fitting (EasiClamp, EasiTap and Universal EasiTee) will suit a number of popular pipe materials of the same nominal bore.

### High Strength

The range has been manufactured using the latest technology minimising raw material usage. EasiRange products (EasiClamp, EasiTap and Universal EasiTee) are constructed from ductile and/or malleable iron or steel half housings. The products will support and seal around the pipe for the full length of the body, ensuring that sealing effectiveness is maintained in all circumstances.

### Ease of Installation

All products can be installed under pressure, in all weather conditions meaning there is no need for costly mains shut down or disruption to customers. EasiClamp and EasiTap products feature self-retaining bolts and Universal EasiTee feature a unique 'swing over' bolt to aid installation, which reduces the potential loss of bolts during installation.

No specialist installation equipment is required and can be installed using simply a torque wrench to confirm correct bolt torque.



# EasiClamp & EasiTap - 4 Bolt

## Product Design Benefits

### Corrosion Protection

All cast components are fully coated in Black Rilsan Nylon 11 which has excellent resistance to impact, abrasion, weathering and chemicals as well as good thermal stability and flexibility to accommodate for rough site handling.

### High Strength

The strength of the ductile iron housings will provide permanent support and seal around the pipe.

### Industry Testing

Viking Johnson products undergo intensive performance testing to ensure the strength and integrity of all products meet industry standards.

- ▶ Accelerated Ageing Tests (AAT) to verify 50 year design life expectancy.
- ▶ EasiRange has been tested on knurled and grooved pipe work to match typical pipe conditions found on many sites around the world.



### Permanent Seal

The 100% 'Waffle' gasket provides a reliable and permanent leak tight seal even on circumferential or longitudinal cracks.

### Enhanced Lifespan

Product comes as standard with grade 4.8 steel bolts that are Sheraplex coated bolts to WIS 4-52-03. Option exists for grade A2 Stainless Steel bolts coated with dry film lubricant.

Both provides excellent corrosion resistance against degradation and maximizes long life

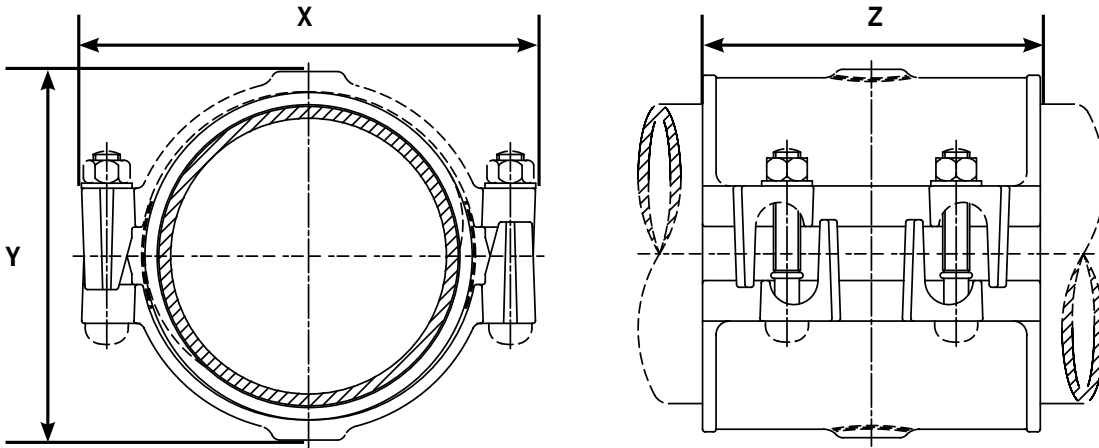
## Customer Benefits.

- ▶ Can be installed under pressure:
  - No costly mains shutdown.
  - No disruption to customers.
  - No dirty water complaints.
- ▶ Enables easy repair in conditions where other pipes are in close proximity.
- ▶ A reliable and permanent leak tight seal on circumferential or longitudinal cracks.
- ▶ Available from DN50 to DN300.

# EasiClamp & EasiTap - 4 Bolt (D&T / D&T Boss)

Datasheet 1/2

## EasiClamp - 4 Bolt



## EasiClamp & EasiTap - 4 Bolt D&T Boss

Nominal Diameter		OD Range		Dimensions			Bolt Size No.-Dia x Length	Weight (kg)	Outlet BSP Threaded Size
		Min (mm)	Max (mm)	X (mm)	Y (Max) (mm)	Z (mm)			
2"	DN50	66.0	75.0	150	110	200	4-M12 x 65mm	4.1	3/4"
2 1/2"	DN65	75.0	84.0	159	119	200	4-M12 x 65mm	4.4	3/4"
3"	DN80	92.3	103.0	184	145	200	4-M16 x 95mm	4.9	3/4"
4"	DN100	115.0	125.6	211	167	200	4-M16 x 95mm	6.0	1/2", 3/4" or 1"
5"	DN125	141.0	153.9	239	182	200	4-M16 x 95mm	7.5	3/4" or 1"
6"	DN150	166.0	181.2	267	217	200	4-M16 x 95mm	8.3	3/4" or 1"
7"	DN175	200.0	210.0	296	238	200	4-M16 x 95mm	9.0	3/4" or 1"
8"	DN200	216.5	226.0	313	269	200	4-M16 x 95mm	9.5	1"
8"	DN200	230.2	243.5	328	281	200	4-M16 x 95mm	10.8	3/4" or 1"
9"	DN225	243.0	267.0	362	307	212	4-M16 x 120mm	13.6	3/4" or 1"
10"	DN250	269.0	294.0	395	322	250	6-M16 x 120mm	18.5	1/2", 3/4" or 1"
12"	DN300	323.0	349.0	450	387	300	8-M16 x 120mm	25.2	1/2", 3/4" or 1"

Every effort has been made to ensure that the information contained in this publication is accurate at the time of publishing. Crane Ltd assumes no responsibility or liability for typographical errors or omissions or for any misinterpretation of the information within the publication and reserves the right to change without notice.

DR11623\_01\_10\_2024\_(ISSUE-8)\_GB

# EasiClamp & EasiTap - 4 Bolt (D&T / D&T Boss)

Datasheet

2/2

## Technical Information

### Working Pressure Rating

Water 16 bar

Gas not approved

### Vacuum Pressure

Capable of accommodating a vacuum pressure of -0.7 bar

### Site Test Pressure

1.5 times working pressure for short duration (2 hours)

### Angularity

Four Bolt EasiClamp fittings are not able to accommodate any angularity.

### Bolt Torque/Spanner

M12; Torque 55-65Nm on every bolt

Spanner size A/F 19mm

M16; Torque 95-110Nm on every bolt

Spanner size A/F 24mm

### Temperature Rating of Product

EPDM -20°C to +40°C

Four bolt EasiClamp is are not suitable for use on heating systems with fluctuating temperatures.

### End Load Due to Internal Pressure

Four bolt EasiClamp and EasiTap DO NOT resist end load due to the internal pressure - adequate external restraint must be provided to prevent pipe pull out from the clamp.

### Approvals

The following water contact materials used in four bolt EasiClamp and EasiTap are approved for use with potable water:-

Rilsan Nylon 11:

- WRAS, DVGW, W270, ACS & KIWA

EPDM Gaskets:

- WRAS

In addition to the above, four bolt EasiClamp and EasiTap as a finished product has KIWA certification verifying that the above products comply with the requirements of the Water Supply (Water Fittings) Regulations for England and Wales 1999, the Water Byelaws 2000, Scotland and the Water Regulations Northern Ireland.

## Materials & Relevant Standards

### Housing

Plain Housing:

- Ductile Iron to BS EN 1563 SYMBOL EN-GJS-450-10

Tapped Housing (Boss):

- Ductile Iron to BS EN 1563 SYMBOL EN-GJS-450-10

Tapped Housing (Outlet) Options:

- Ductile Iron to BS EN 1563 SYMBOL EN-GJS-450-10
- Malleable Cast Iron to BS EN 1562 SYMBOL EN-GJMB-350-10

### Bridging Plate

Stainless Steel to BS1449: Part 2 Grade 304S15 2B Finish

### Gasket

BS EN681-1 60 IRHD

### Coatings

Plain Housing:

- Rilsan Nylon 11 to WIS 4-52-01 (Part1)

Tapped Housing:

- Rilsan Nylon 11 to WIS 4-52-01 (Part1)

Bolts & Nuts:

- Sheraplex to WIS 4-52-03

### Bolts

Standard - Steel to BS EN ISO 898-1 Property Class 4.8

Option - Stainless Steel to BS EN ISO3506-1 Grade A2 Property Class 70

### Nuts

Standard - Steel to BS 4190 Grade 4

Option - Stainless Steel to BS EN ISO3506-2 Grade A4 Property Class 80

### Washers

Standard - Stainless Steel to BS 1449:Part 2 Grade 304 S15

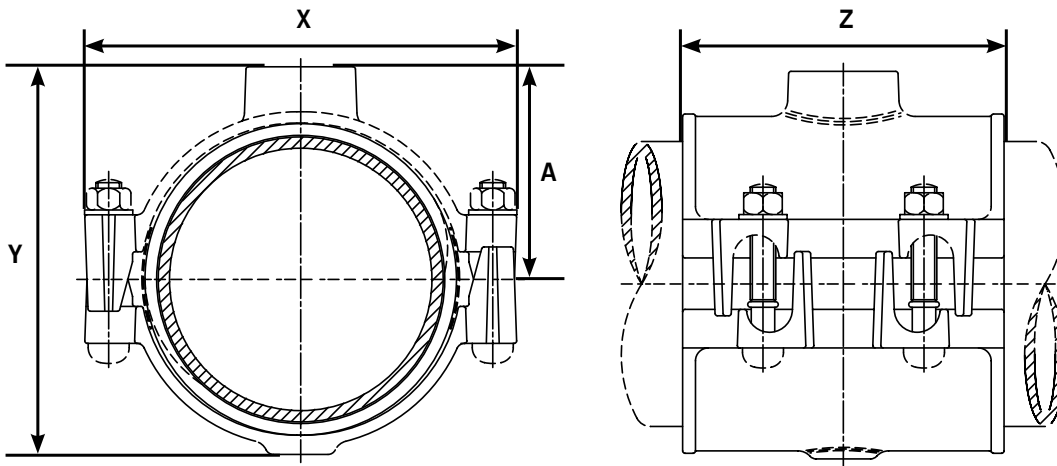
Option - Stainless Steel to BS EN ISO3506-1 Grade A2 Property Class 50

Every effort has been made to ensure that the information contained in this publication is accurate at the time of publishing. Crane Ltd assumes no responsibility or liability for typographical errors or omissions or for any misinterpretation of the information within the publication and reserves the right to change without notice.

# EasiClamp & EasiTap - 4 Bolt (D&T / D&T Outlet)

Datasheet 1/2

## EasiTap - 4 Bolt



## EasiTap - 4 Bolt D&T Outlet

Nominal Diameter	OD Range		Dimensions				Bolt Size No.-Dia x Length	Weight (kg)	Outlet BSP Threaded Size
	Min (mm)	Max (mm)	X (mm)	Y (Max) (mm)	Z (mm)	A (mm)			
3"	92.3	103.0	184	173	200	92	4-M16 x 95mm	5.0	1 1/2 or 2" BSP
4"	115.0	125.6	211	195	200	102	4-M16 x 95mm	6.0	2" BSP
5"	141.0	153.9	239	210	200	120	4-M16 x 95mm	7.5	2" BSP
6"	166.0	181.2	267	245	200	130	4-M16 x 95mm	8.3	2" BSP
7"	200.0	210.0	296	266	200	146	4-M16 x 95mm	9.0	2" BSP
200	216.5	226.0	313	292	200	153	4-M16 x 95mm	10.0	2" BSP
8"	230.2	243.5	332	309	200	161	4-M16 x 95mm	10.8	2" BSP
9"	243.0	267.0	362	330	212	180	4-M16 x 120mm	13.7	2" BSP
10"	269.0	294.0	395	347	250	194	6-M16 x 120mm	18.7	2" BSP
12"	323.0	349.0	450	412	300	221	8-M16 x 120mm	25.4	2" BSP

Every effort has been made to ensure that the information contained in this publication is accurate at the time of publishing. Crane Ltd assumes no responsibility or liability for typographical errors or omissions or for any misinterpretation of the information within the publication and reserves the right to change without notice.

DR11623\_01\_10\_2024\_(ISSUE-8)\_GB



# EasiClamp & EasiTap - 4 Bolt (D&T / D&T Outlet)

Datasheet

2/2

## Technical Information

### Working Pressure Rating

Water 16 bar

Gas not approved

### Vacuum Pressure

Capable of accommodating a vacuum pressure of -0.7 bar

### Site Test Pressure

1.5 times working pressure for short duration (2 hours)

### Angularity

Four Bolt EasiTap fittings are not able to accommodate any angularity.

### Bolt Torque/Spanner

M12; Torque 55-65Nm on every bolt

Spanner size A/F 19mm

M16; Torque 95-110Nm on every bolt

Spanner size A/F 24mm

### Temperature Rating of Product

EPDM -20°C to +40°C

Four bolt EasiClamp and EasiTap are not suitable for use on heating systems with fluctuating temperatures.

### End Load Due to Internal Pressure

Four bolt EasiClamp and EasiTap DO NOT resist end load due to the internal pressure - adequate external restraint must be provided to prevent pipe pull out from the clamp.

### Approvals

The following water contact materials used in four bolt EasiClamp and EasiTap are approved for use with potable water:-

Rilsan Nylon 11:

- WRAS, DVGW, W270, ACS & KIWA

EPDM Gaskets:

- WRAS

In addition to the above, four bolt EasiClamp and EasiTap as a finished product has KIWA certification verifying that the above products comply with the requirements of the Water Supply (Water Fittings) Regulations for England and Wales 1999, the Water Byelaws 2000, Scotland and the Water Regulations Northern Ireland.

## Materials & Relevant Standards

### Housing

Plain Housing:

- Ductile Iron to BS EN 1563 SYMBOL EN-GJS-450-10

Tapped Housing (Boss):

- Ductile Iron to BS EN 1563 SYMBOL EN-GJS-450-10

Tapped Housing (Outlet) Options:

- Ductile Iron to BS EN 1563 SYMBOL EN-GJS-450-10
- Malleable Cast Iron to BS EN 1562 SYMBOL EN-GJMB-350-10

### Bridging Plate

Stainless Steel to BS1449: Part 2 Grade 304S15 2B Finish

### Gasket

BS EN681-1 60 IRHD

### Coatings

Plain Housing:

- Rilsan Nylon 11 to WIS 4-52-01 (Part1)

Tapped Housing:

- Rilsan Nylon 11 to WIS 4-52-01 (Part1)

Bolts & Nuts:

- Sheraplex to WIS 4-52-03

### Bolts

Standard - Steel to BS EN ISO 898-1 Property Class 4.8

Option - Stainless Steel to BS EN ISO3506-1 Grade A2 Property Class 70

### Nuts

Standard - Steel to BS 4190 Grade 4

Option - Stainless Steel to BS EN ISO3506-2 Grade A4 Property Class 80

### Washers

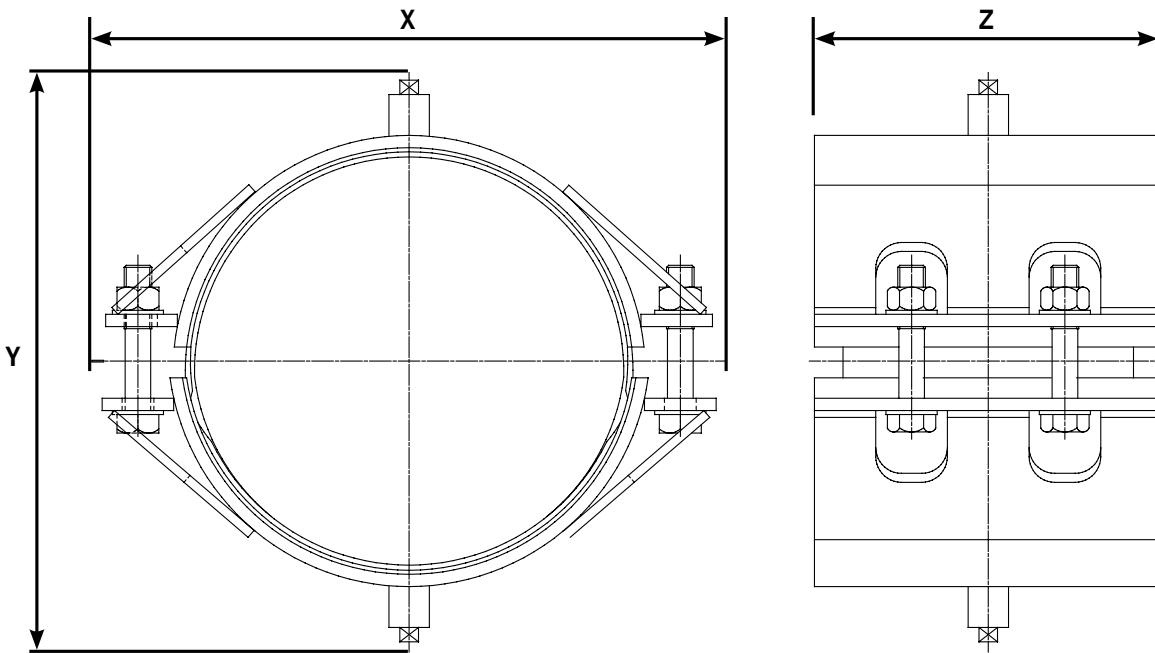
Standard - Stainless Steel to BS 1449:Part 2 Grade 304 S15

Option - Stainless Steel to BS EN ISO3506-1 Grade A2 Property Class 50

Every effort has been made to ensure that the information contained in this publication is accurate at the time of publishing. Crane Ltd assumes no responsibility or liability for typographical errors or omissions or for any misinterpretation of the information within the publication and reserves the right to change without notice.

# EasiClamp & EasiTap Large Diameter

## EasiClamp Large Diameter



## EasiClamp Large Diameter

Nominal Diameter		OD Range		Dimensions			Bolt Size No.-Dia x Length	Weight (kg)	Outlet BSP Threaded Size	Working Pressure
		Min (mm)	Max (mm)	X (mm)	Y (Max) (mm)	Z (mm)				
14"	DN350	372	396	586	542	340	4-M30 x 160mm	69	1" BSP	16 bar
16"	DN400	420	444	636	590	340	4-M30 x 160mm	111	1" BSP	16 bar
18"	DN450	468	492	687	639	340	4-M30 x 160mm	119	1" BSP	16 bar
20"	DN500	520	544	748	685	340	4-M30 x 160mm	176	1" BSP	16 bar
24"	DN600	621	645	913	794	340	4-M33 x 180mm	297	1" BSP	16 bar
28"	DN700	726	752	1022	900	340	4-M33 x 180mm	326	1" BSP	10 bar

Every effort has been made to ensure that the information contained in this publication is accurate at the time of publishing. Crane Ltd assumes no responsibility or liability for typographical errors or omissions or for any misinterpretation of the information within the publication and reserves the right to change without notice.

# EasiClamp & EasiTap Large Diameter

Datasheet

2/2

## Technical Information

### Working Pressure Rating

Water, up to 24", 16 bar, from 28", 10 bar

Gas not approved

### Vacuum Pressure

Capable of accommodating a vacuum pressure of -0.7 bar

### Site Test Pressure

1.5 times working pressure for short duration (2 hours)

### Angularity

EasiClamp and EasiTap fittings are not able to accommodate any angularity.

### Bolt Torque/Spanner

M30; Torque 550-575Nm on every bolt

Spanner size A/F 46mm

M33; Torque 615-645Nm on every bolt

Spanner Size A/F 50mm

### Temperature Rating of Product

EPDM -20°C to +40°C

EasiClamp and EasiTap fittings are not suitable for use on heating systems with fluctuating temperatures.

### End Load Due to Internal Pressure

EasiClamp and EasiTap DO NOT resist end load due to the internal pressure - adequate external restraint must be provided to prevent pipe pull out from the clamp.

### Approvals

The following water contact materials used in four bolt EasiClamp and EasiTap are approved for use with potable water:-

Rilsan Nylon 11:

- WRAS, DVGW, W270, ACS & KIWA

EPDM Gaskets:

- WRAS

## Materials & Relevant Standards

### Housing

Plain Housing:

- Steel to BS EN10025-2:Grade S275JR

Tapped Housing (Boss):

- Steel to BS EN10025

### Bridging Plate

Stainless Steel to BS1449: Part 2 Grade 304S15 2B Finish

### Plug

Leaded Gunmetal to BS1400: Designation LG2

### Gasket

60 IRHD EPDM to BS2494:W WFBS listed

### Coatings

Plain Housing:

- Rilsan Nylon 11 to WIS 4-52-01 (Part1)

Tapped Housing:

- Rilsan Nylon 11 to WIS 4-52-01 (Part1)

Bolts & Nuts:

- Sheraplex to WIS 4-52-03

### Bolts

Standard - Steel to BS EN ISO 898-1 Property Class 4.8

### Nuts

Standard - Steel to BS EN20898-2 Property Class 8.0

### Washers

Steel to BS EN10083 Part 1 Grade C22E

# EasiClamp & EasiTap Hinged - 2 Bolt

## Product Design Benefits

### Corrosion Protection

All cast components are fully coated in Black Rilsan Nylon 11 which has excellent resistance to impact, abrasion, weathering and chemicals as well as good thermal stability and flexibility to accommodate for rough site handling.

### Exceptional Grip

The two halves are hinged, fully opening to permit quick and easy fitting on the pipe. There are no pins which removes any risk from bimetallic corrosion.

### High Strength

The strength of the ductile iron housings will provide permanent support and seal around the pipe.

### Permanent Seal

The 100% 'Waffle' gasket provides a reliable and permanent leak tight seal even on circumferential or longitudinal cracks.

### Self Locating Bolts

Patented self retaining bolts not only prevent the loss of components in the trench but also self locate allowing blind assembly. The double locking mechanism automatically locks into position once the product is fully wrapped around the pipe allowing the operator to use both hands to position over the leak.



# Universal EasiTee

## Product Design Benefits

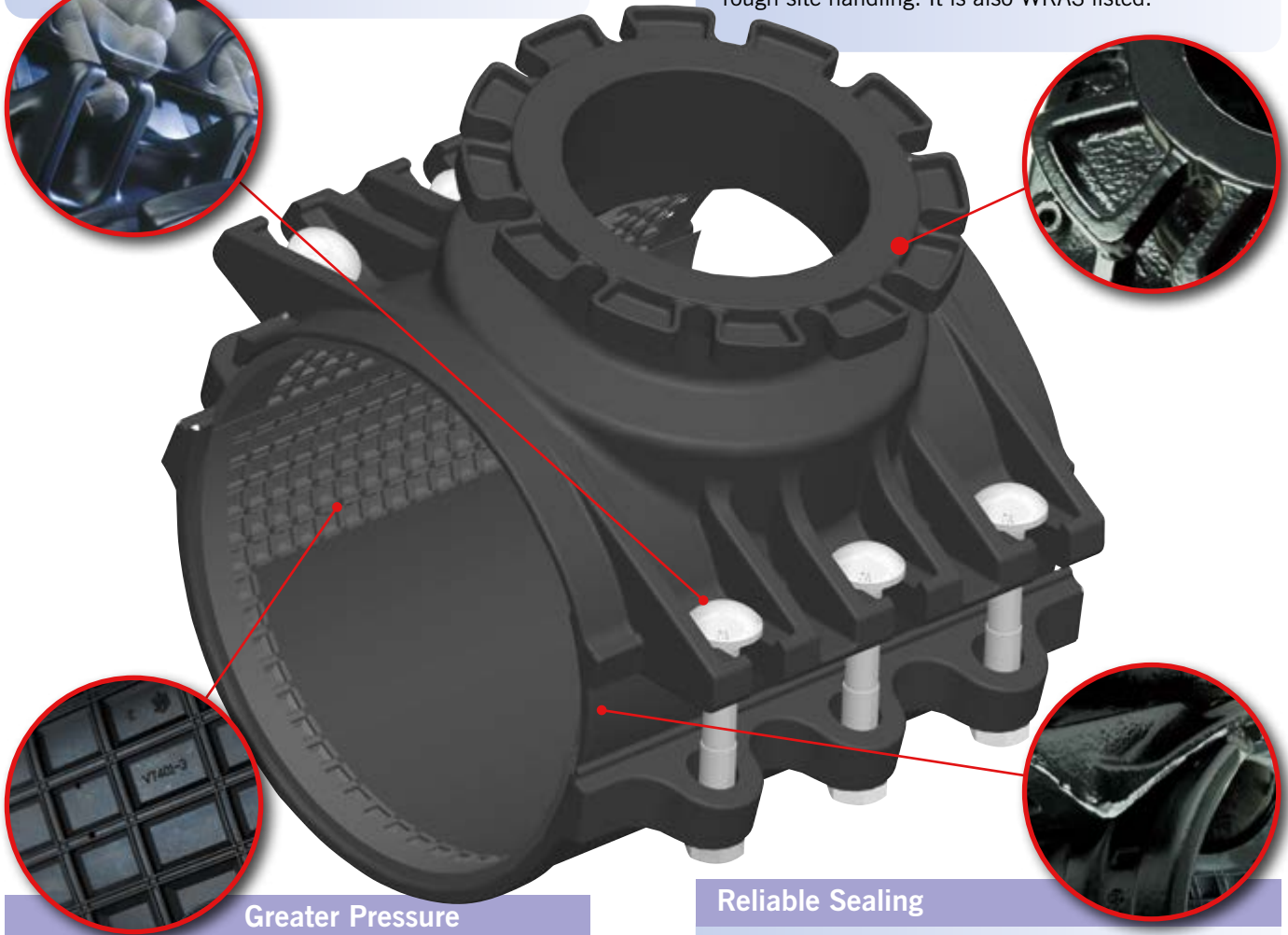
### Simple Installation

Universal EasiTee products feature a unique “swing over” bolt to aid installation.



### Excellent Corrosion Protection

The sleeve or body are fully coated in Black Rilsan Nylon 11 which has excellent resistance to impact, abrasion, weathering and chemicals as well as good thermal stability and flexibility to accommodate for rough site handling. It is also WRAS listed.



### Greater Pressure

Fluorene coated bolts offer higher load to torque capabilities achieving a greater gasket pressure.



### Reliable Sealing

Deflecting bridging plate ensures a positive seal every time.



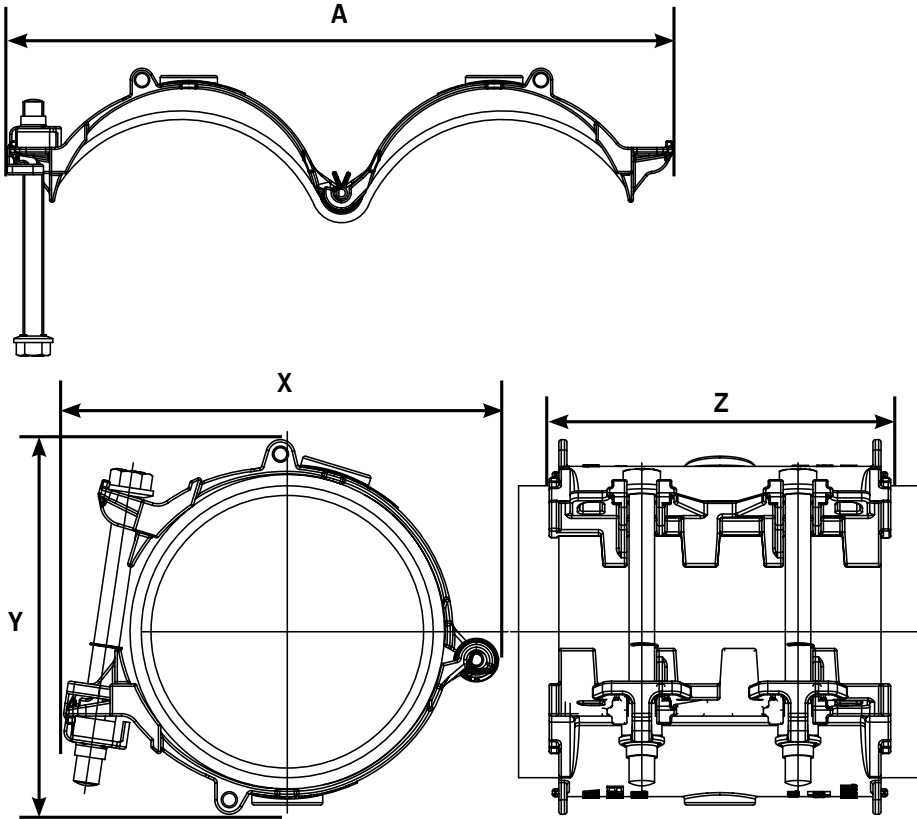
## Customer Benefits

- Branch outlets available up to the same size as main.
- Can be installed under pressure:
  - No costly mains shutdown.
  - No disruption to customers.
  - No dirty water complaints.
- Up to 24mm pipe size tolerance to suit a number of popular pipe materials of the same nominal bore and reduce stock holding.
- Constructed from ductile iron, the Universal EasiTee will support and seal around the pipe for the full length of the body, ensuring that sealing effectiveness is maintained in all circumstances.
- Available from DN80 to DN300.
- Available with various flange connections.

# EasiClamp & EasiTap Hinged - 2 Bolt (D&T / D&T Boss)

Datasheet 1/2

## EasiClamp Hinged - 2 Bolt



## EasiClamp Hinged - 2 Bolt

Nominal Diameter	OD Range		Overall Dimensions				Bolt Size No.-Dia x Length	Gasket Mould No.	Weight (kg)
	Min (mm)	Max (mm)	X (mm)	Y (mm)	Z (mm)	A (mm)			
3"	92.3	103	182	175	212	347	2-M16 x 165	13094	4.8
4"	115	125.6	207	186	212	395	2-M16 x 165	13095	5.3
6"	166	181.2	264	233	212	512	2-M16 x 185	13096	6.9

## EasiTap Hinged - 2 Bolt D&T Boss

Nominal Diameter	OD Range		Overall Dimensions				Bolt Size No.-Dia x Length	Gasket Mould No.	Weight (kg)	Standard BSP Threaded Boss Size	Non Standard BSP Threaded Boss Size
	Min (mm)	Max (mm)	X (mm)	Y (mm)	Z (mm)	A (mm)					
3"	92.3	103	182	175	212	347	2-M16 x 165	13094	4.8	0.75" BSP	0.5" BSP
4"	115	125.6	207	186	212	395	2-M16 x 165	13095	5.3	1" BSP	0.5" BSP 0.75" BSP
6"	166	181.2	264	233	212	512	2-M16 x 185	13096	6.9	1" BSP	0.5" BSP 0.75" BSP

Every effort has been made to ensure that the information contained in this publication is accurate at the time of publishing. Crane Ltd assumes no responsibility or liability for typographical errors or omissions or for any misinterpretation of the information within the publication and reserves the right to change without notice.

DR11623\_01\_10\_2024\_(ISSUE-8)\_GB

# EasiClamp & EasiTap Hinged - 2 Bolt (D&T / D&T Boss)

Datasheet

2/2

## Technical Information

### Working Pressure Rating

Water 16 bar

Gas not approved

### Vacuum Pressure

Capable of accommodating a vacuum pressure of -0.7 bar

### Site Test Pressure

1.5 times working pressure for short duration (2 hours)

### Angularity

Two Bolt Remote EasiClamp and EasiTap fittings are not able to accommodate any angularity.

### Bolt Torque/Spanner

M16; Torque 95-110Nm on every bolt

Spanner size A/F 24mm

### Temperature Rating of Product

EPDM -20°C to +40°C

Two bolt Remote EasiClamp and EasiTap are not suitable for use on heating systems with fluctuating temperatures.

### End Load Due to Internal Pressure

Two bolt Remote EasiClamp and EasiTap DO NOT resist end load due to the internal pressure - adequate external restraint must be provided to prevent pipe pull out from the clamp.

### Approvals

The following water contact materials used in two bolt Remote EasiClamp and EasiTap are approved for use with potable water:-

Rilsan Nylon 11:

- WRAS, DVGW, W270, ACS & KIWA

EPDM Gaskets:

- WRAS

In addition to the above, two bolt Remote EasiClamp and EasiTap as a finished product has KIWA certification verifying that the above products comply with the requirements of the Water Supply (Water Fittings) Regulations for England and Wales 1999, the Water Byelaws 2000, Scotland and the Water Regulations Northern Ireland.

## Materials & Relevant Standards

### Housing

Ductile Iron to BS EN1563 Symbol EN-GJS-450-10

### Bridging Plate

Stainless Steel BS1449:PART 2 GRADE 304S15 2B Finish

### Hinge Clip / Retaining Clip / Bolt Retainer Clip

Acetal M25-04 Natural (HOECHST)

### Gasket

BS EN681-1 60 IRHD

### Coatings

Body:

- Rilsan Nylon 11 to WIS 4-52-01 (Part1)

Bolts and Anti-Rotation Nuts:

- Sheraplex to WIS 4-52-03

Spherical Washer:

- Galvanised

### Bolts

Standard - Steel to BS EN ISO 898-1 Property Class 4.8

### Anti-Rotation Nut

Cast or Machined Steel. Min Yield Strength = 275N/mm<sup>2</sup>. Ultimate Tensile Strength = 430N/mm<sup>2</sup>. Elongation = 23%

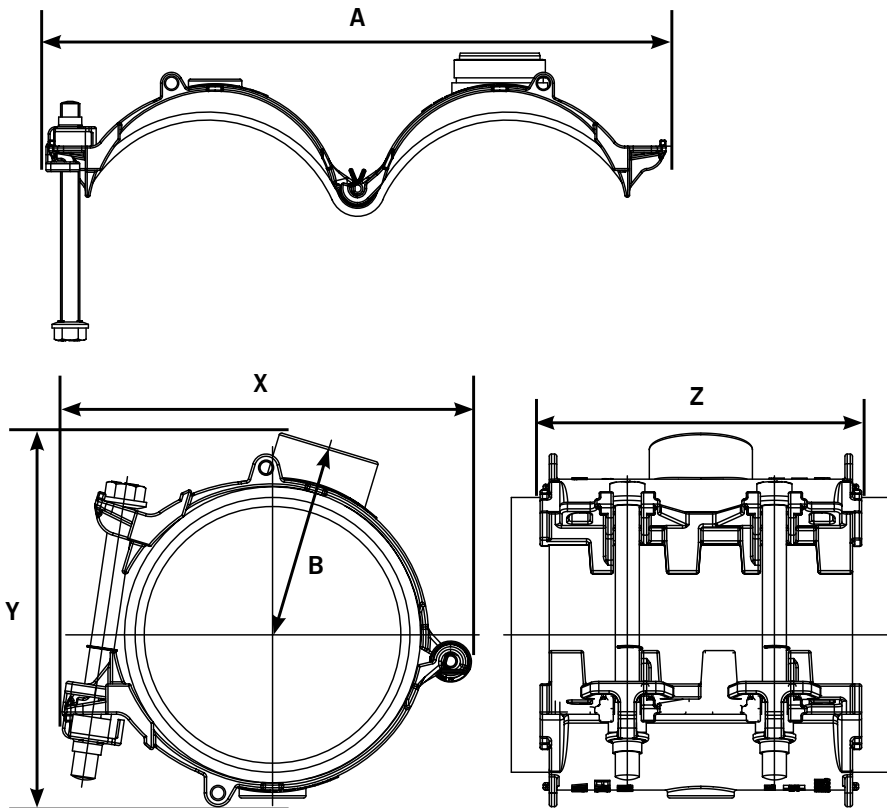
### Spherical Washer

Ductile Iron to BS EN1563 Symbol EN-GJS-450-10

# EasiTap Hinged - 2 Bolt (D&T / D&T Outlet)

Datasheet 1/2

## EasiTap Hinged - 2 Bolt



## EasiTap Hinged - 2 Bolt D&T Outlet

Nominal Diameter	OD Range		Overall Dimensions					Bolt Size No.-Dia x Length	Gasket Mould No.	Weight (kg)	Outlet - BSP Threaded Size
	Min (mm)	Max (mm)	X (mm)	Y (mm)	Z (mm)	A (mm)	B (mm)				
3"	92.3	103	182	185	212	347	86	2-M16 x 165	13094	5.0	2"BSP
4"	115	125.6	207	200	212	395	93	2-M16 x 165	13095	5.5	2"BSP
6"	166	181.2	264	247	212	512	122	2-M16 x 185	13096	7.1	2"BSP

Every effort has been made to ensure that the information contained in this publication is accurate at the time of publishing. Crane Ltd assumes no responsibility or liability for typographical errors or omissions or for any misinterpretation of the information within the publication and reserves the right to change without notice.

DR11623\_01\_10\_2024\_(ISSUE-8)\_GB



# EasiTap Hinged - 2 Bolt (D&T / D&T Outlet)

Datasheet

2/2

## Technical Information

### Working Pressure Rating

Water 16 bar

Gas not approved

### Vacuum Pressure

Capable of accommodating a vacuum pressure of -0.7 bar

### Site Test Pressure

1.5 times working pressure for short duration (2 hours)

### Angularity

Two Bolt Remote EasiTap fittings are not able to accommodate any angularity.

### Bolt Torque/Spanner

M16; Torque 95-110Nm on every bolt

Spanner size A/F 24mm

### Temperature Rating of Product

EPDM -20°C to +40°C

Two bolt Remote EasiTap is not suitable for use on heating systems with fluctuating temperatures.

### End Load Due to Internal Pressure

Two bolt Remote EasiTap DO NOT resist end load due to the internal pressure - adequate external restraint must be provided to prevent pipe pull out from the clamp.

### Approvals

The following water contact materials used in two bolt Remote EasiTap are approved for use with potable water:-

Rilsan Nylon 11:

- WRAS, DVGW, W270, ACS & KIWA

EPDM Gaskets:

- WRAS

In addition to the above, two bolt Remote EasiTap as a finished product has KIWA certification verifying that the above products comply with the requirements of the Water Supply (Water Fittings) Regulations for England and Wales 1999, the Water Byelaws 2000, Scotland and the Water Regulations Northern Ireland.

## Materials & Relevant Standards

### Housing

Ductile Iron to BS EN1563 Symbol EN-GJS-450-10

### Bridging Plate

Stainless Steel BS1449:PART 2 GRADE 304S15 2B Finish

### Hinge Clip / Retaining Clip / Bolt Retainer Clip

Acetal M25-04 Natural (HOECHST)

### Gasket

BS EN681-1 60 IRHD

### Coatings

Body:

- Rilsan Nylon 11 to WIS 4-52-01 (Part1)

Bolts and Anti-Rotation Nuts:

- Sheraplex to WIS 4-52-03

Spherical Washer:

- Galvanised

### Bolts

Standard - Steel to BS EN ISO 898-1 Property Class 4.8

### Anti-Rotation Nut

Cast or Machined Steel. Min Yield Strength = 275N/mm<sup>2</sup>. Ultimate Tensile Strength = 430N/mm<sup>2</sup>. Elongation = 23%

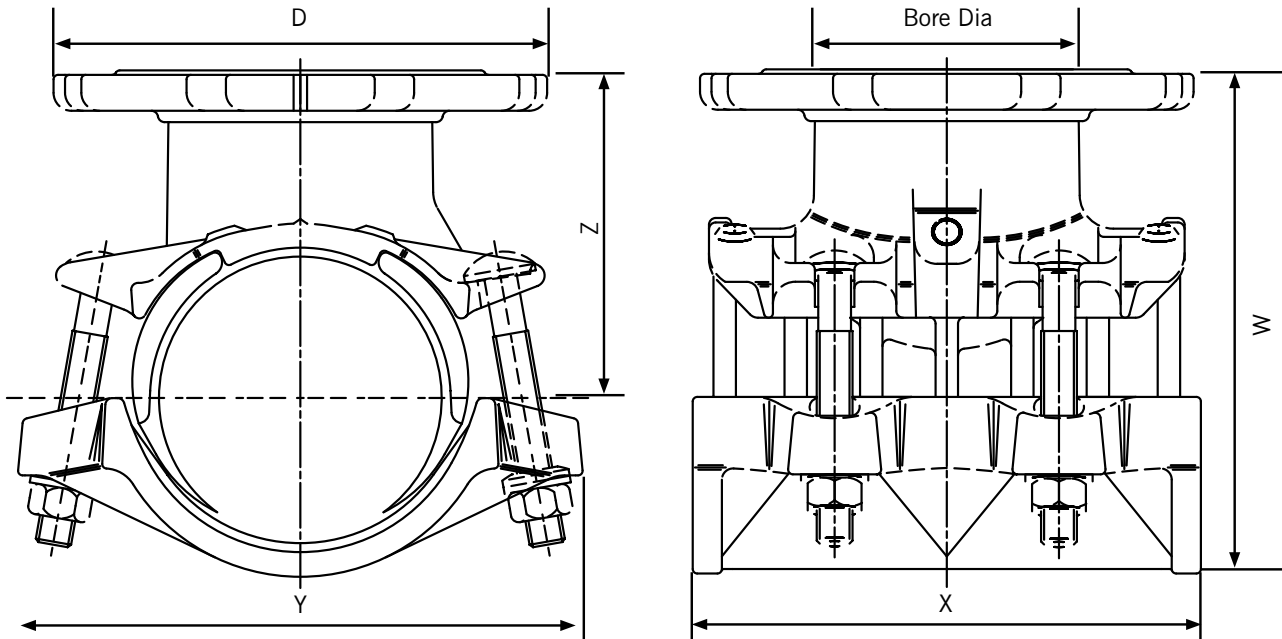
### Spherical Washer

Ductile Iron to BS EN1563 Symbol EN-GJS-450-10

# Universal EasiTee

Datasheet 1/2

## Universal EasiTee



## Universal EasiTee

Pipe OD Size Range (mm)		Branch Drilling		Plain Mould No.	Branch Mould No.	Dimensions (mm)					Minimum Bore Dia (mm)	Bolt Size No.-Size x length	Weight (kg)
Min	Max	Nom	Spec			D	W	X	Y	Z			
85.4	103.0	80	PN 10,16	1792	1791	200	205	213	193	128	76.0	4-M16 x 110	9.0
111.8	129.4	80/100	PN 10,16	1741	1740	200	228	227	252	146	103.0	4-M16 x 130	10.5
165.2	184.4	80/100	PN 10,16	1743	1742	200	275	269	305	165	103.0	4-M16 x 130	18.7
165.2	184.4	150	PN 10,16	1743	1742	285	275	269	305	165	153.0	4-M16 x 130	20.9
215.9	239.7	80/100	PN 10,16	1745	1744	200	365	319	385	228	103.0	6-M20 x 140	25.4
215.9	239.7	150	PN 10,16	1745	1744	285	365	319	385	228	154.0	6-M20 x 140	28.0
215.9	239.7	200	PN 16	1745	1744	340	365	319	385	228	205.0	6-M20 x 140	29.5
269.2	293.5	80/100	PN 10,16	1747	1746	200	424	368	462	260	103.0	6-M20 x 140	49.1
269.2	293.5	150	PN 10,16	1747	1746	285	424	368	462	260	154.0	6-M20 x 140	51.2
269.2	293.5	200	PN 16	1747	1746	340	424	368	462	260	206.0	6-M20 x 140	52.3
269.2	293.5	250	PN 16	1747	1746	405	424	368	462	260	256.0	6-M20 x 140	56.6
323.1	349.0	80/100	PN 10,16	1749	1748	200	478	439	534	290	103.0	6-M24 x 160	58.7
323.1	349.0	150	PN 10,16	1749	1748	285	478	439	534	290	154.0	6-M24 x 160	61.0
323.1	349.0	200	PN 16	1749	1748	340	478	439	534	290	205.0	6-M24 x 160	62.5
323.1	349.0	250	PN 16	1749	1748	405	478	439	534	290	255.0	6-M24 x 160	66.0
323.1	349.0	300	PN 16	1749	1748	460	478	439	534	290	304.0	6-M24 x 160	66.0

Every effort has been made to ensure that the information contained in this publication is accurate at the time of publishing. Crane Ltd assumes no responsibility or liability for typographical errors or omissions or for any misinterpretation of the information within the publication and reserves the right to change without notice.

DR11623\_01\_10\_2024\_(ISSUE-8)\_GB

## Technical Information

### Working Pressure Rating

Water 16 bar

Gas not approved

### Vacuum Pressure

Capable of accommodating a vacuum pressure of -0.7 bar

### Site Test Pressure

1.5 times working pressure for short duration (2 hours)

### Angularity

Universal EasiTee fittings are not able to accommodate any angularity.

### Bolt Torque/Spanner:

M16; Torque 95-110Nm on every bolt

Spanner size A/F 24mm

M20; Torque 150-165Nm on every bolt

Spanner size A/F 30mm

M24; Torque 285-300Nm on every bolt

Spanner size A/F 36mm

### Temperature Rating of Product

EPDM -20°C to +40°C

Universal EasiTee is not suitable for use on heating systems with fluctuating temperatures.

### Loads from Drilling Equipment and Valve / Branch Pipework

Universal EasiTee is not designed to accommodate / resist the loads from the under pressure drilling equipment, which needs to be supported externally during the operation to drill into the main. In addition, the valve and branch pipework needs to be adequately supported to ensure none of the dead / live loads are imposed in the branch outlet in the Universal EasiTee.

### Approvals

The following water contact materials used in Universal EasiTee are approved for use with potable water:-

Rilsan Nylon 11:

➤ WRAS, DVGW, W270, ACS & KIWA

EPDM Gaskets:

➤ WRAS

In addition to the above, Universal EasiTee as a finished product has KIWA certification verifying that the above products comply with the requirements of the Water Supply (Water Fittings) Regulations for England and Wales 1999, the Water Byelaws 2000, Scotland and the Water Regulations Northern Ireland.

## Materials & Relevant Standards

### Housing

Flanged Housing:

➤ Ductile Iron to BS EN1563 SYMBOL EN-GJS-450-10

Plain Housing:

➤ Ductile Iron to BS EN1563 SYMBOL EN-GJS-450-10

### Bridging Plate

Ductile Iron to BS EN1563 SYMBOL EN-GJS-450-10

### Gasket

BS EN681-1 60 IRHD

### Coatings

Flanged, Plain Housing & Bridging Plate:

➤ Rilsan Nylon 11 to WIS 4-52-01 (Part1)

Bolts & Nuts (standard Option):

➤ Flurene coated

### Bolts

Steel to BS EN ISO 898-1 Property Class 4.8 or

Steel to BS EN 10083: Part 1 Grade 2.C.22

### Nuts

Steel to BS 4190 Grade 4

### Spherical Washers

Pearlite Malleable Iron to BS EN 1562 Symbol EN-GJMW-400-5

### Washers

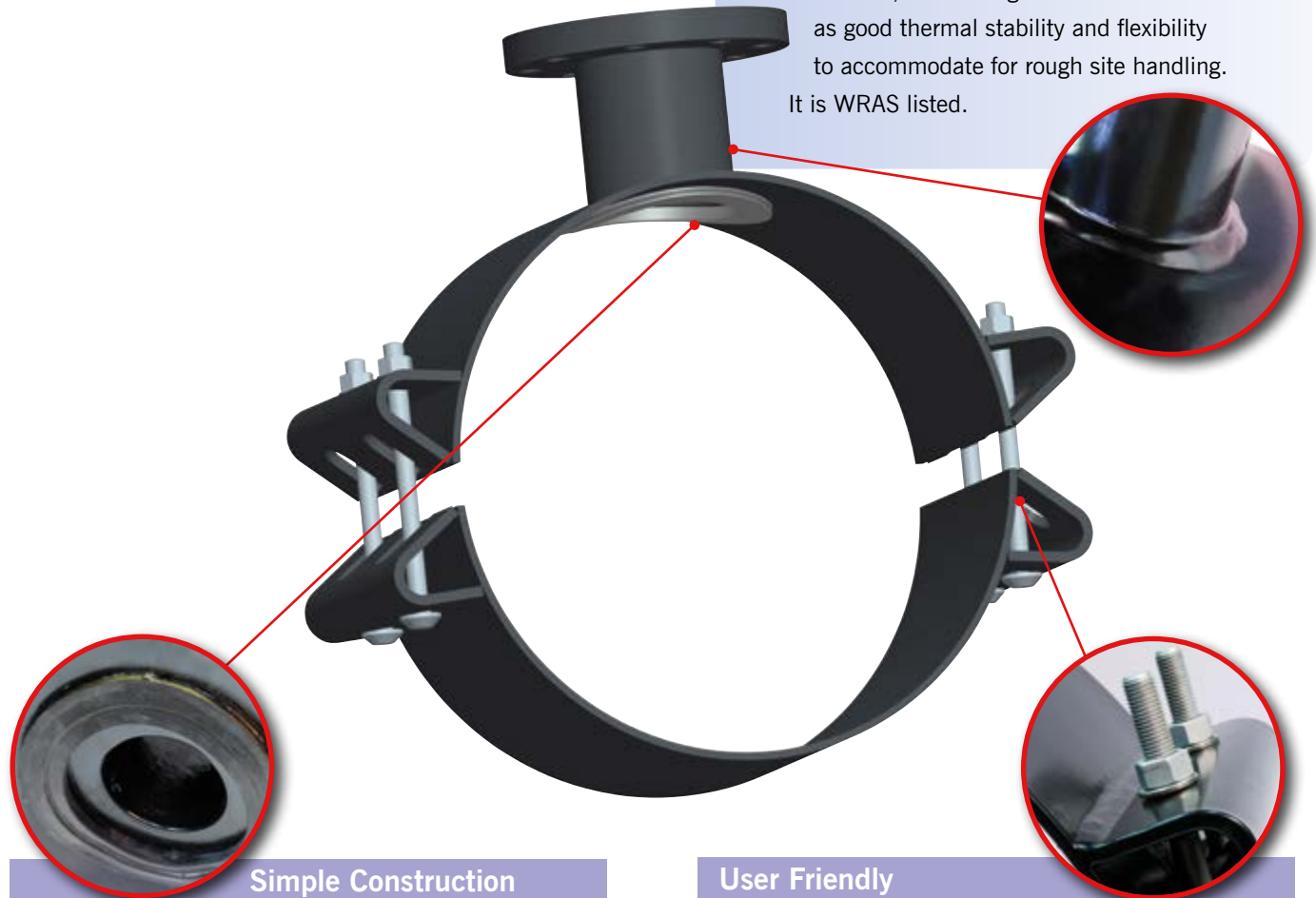
Stainless Steel to BS 1449: Part 2 Grade 304 S15

# RingSeal EasiTee

## Product Design Benefits

### Excellent Corrosion Protection

The sleeve or body are fully coated in Black Rilsan Nylon 11 which has excellent resistance to impact, abrasion, weathering and chemicals as well as good thermal stability and flexibility to accommodate for rough site handling. It is WRAS listed.



### Simple Construction

Fabricated from carbon steel, with a circular gasket positioned at the base of the branch connection, makes the RingSeal EasiTee both a lighter and cost-effective alternative to the MattSeal EasiTee.

### User Friendly

Sheraplex coated bolts offers a consistent torque/load ratio improving the factor of safety and sensitivity to installer error and eliminates galling of the coating in the threads.

## Customer Benefits

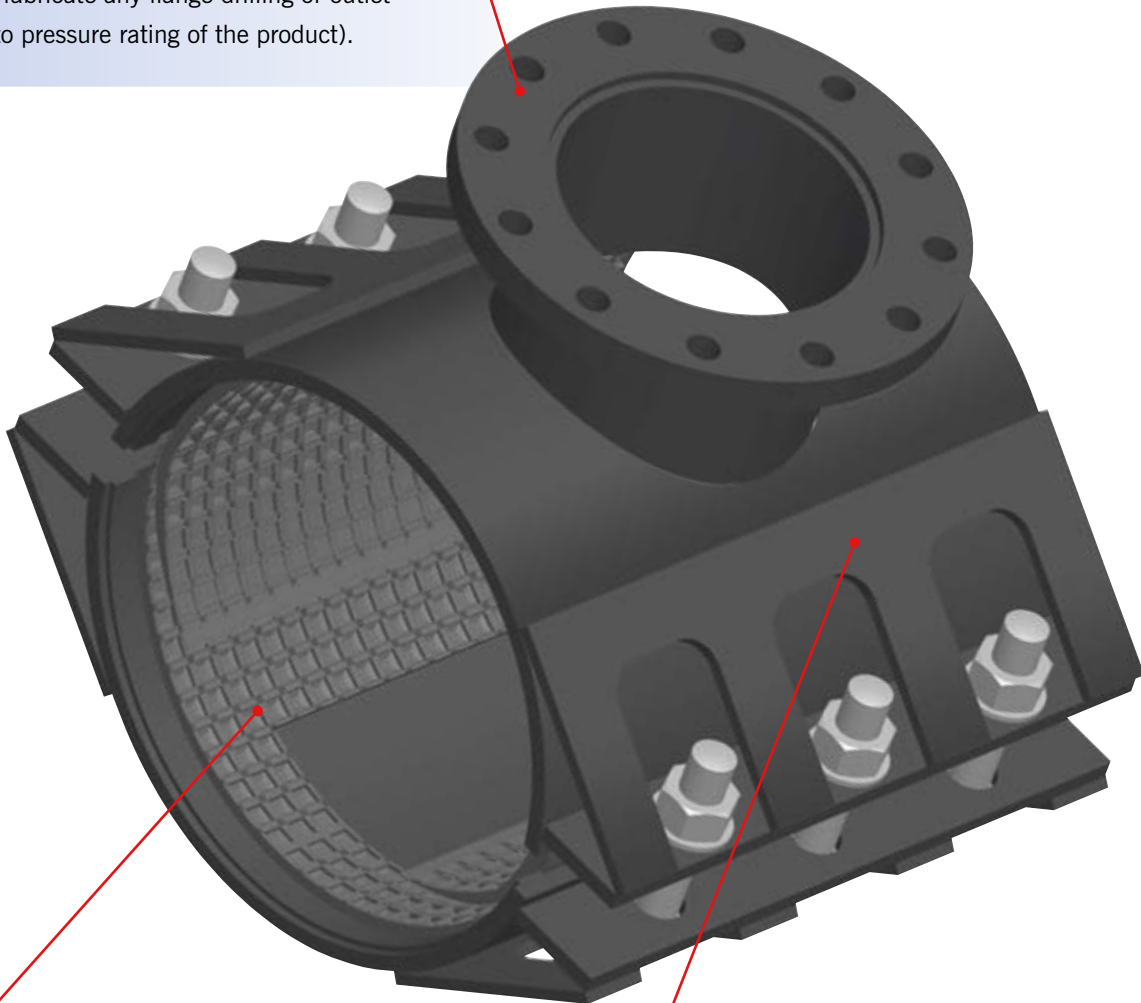
- ▶ Lightweight and quick to install.
- ▶ Available from DN350 to DN1200.
- ▶ Up to DN600 branch (however, if the pipe is grey cast iron the branch must be limited to 70% of the main line size).
- ▶ Ability to fabricate any flange drilling or outlet (subject to pressure rating of the product).
- ▶ Can be installed under pressure:
  - No costly mains shutdown.
  - No disruption to customers.
  - No dirty water complaints.

# MattSeal EasiTee

## Product Design Benefits

### Flexible

Ability to fabricate any flange drilling or outlet (subject to pressure rating of the product).



### Reliable Sealing

The waffle gasket is designed to fully surround the pipe within the housing offering optimal sealing.

### Excellent Corrosion Protection

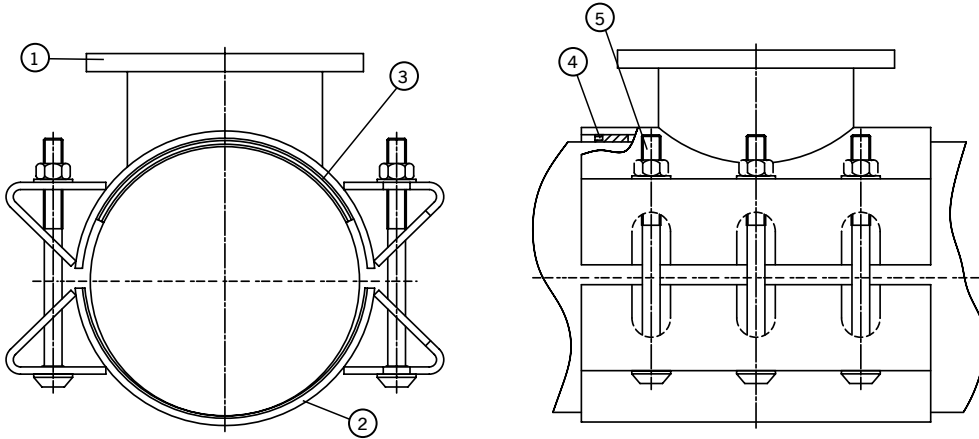
The sleeve or body are fully coated in Black Rilsan Nylon 11 which has excellent resistance to impact, abrasion, weathering and chemicals as well as good thermal stability and flexibility to accommodate for rough site handling and is WRAS listed.

## Customer Benefits

- ▶ Branch outlets from DN80 up to the same size as main, even on old grey cast iron pipe.
- ▶ Can be installed under pressure:
  - No costly mains shutdown.
  - No disruption to customers.
  - No dirty water complaints.
- ▶ Up to 12mm pipe size tolerance to suit a number of popular pipe materials of the same nominal bore. Reducing stock holding.
- ▶ Available from DN350 to DN600.

# RingSeal EasiTee

Datasheet 1/2



- Key**
- 1 = Branch Housing
  - 2 = Plain Housing
  - 3 = Gasket
  - 4 = Gasket retainer
  - 5 = Bolt, Nut & Washer

## RingSeal EasiTee – Branch Outlet Sizes Available for Suitable Pipe Materials

The Following table provides details on branch outlet that is possible on various pipe materials for RingSeal. If the outlet/nom size is not available, see MattSeal EasiTee as alternative.

Host / Main		Flanged Outlet										
Nom	Dia	DN80	DN100	DN150	DN200	DN250	DN300	DN350	DN400	DN450	DN500	DN600
<b>Steel and Ductile Iron Pipe Material</b>												
DN350	14"	✓	✓	✓	✓	✓	✓	✓	-	-	-	-
DN400	16"	✓	✓	✓	✓	✓	✓	✓	-	-	-	-
DN450	18"	✓	✓	✓	✓	✓	✓	✓	✓	✓	-	-
DN500	20"	✓	✓	✓	✓	✓	✓	✓	✓	✓	✓	-
DN600	24"	✓	✓	✓	✓	✓	✓	✓	✓	✓	✓	✓
DN700	28"	✓	✓	✓	✓	✓	✓	✓	✓	✓	✓	✓
DN800	32"	✓	✓	✓	✓	✓	✓	✓	-	-	-	-
DN900	36"	✓	✓	✓	✓	✓	✓	-	-	-	-	-
DN1000	40"	✓	✓	✓	✓	✓	-	-	-	-	-	-
DN1100	44"	✓	✓	✓	✓	✓	-	-	-	-	-	-
DN1200	48"	✓	✓	✓	✓	✓	-	-	-	-	-	-
<b>Cast Iron Pipe Material</b>												
DN350	14"	✓	✓	✓	✓	-	-	-	-	-	-	-
DN400	16"	✓	✓	✓	✓	✓	-	-	-	-	-	-
DN450	18"	✓	✓	✓	✓	✓	✓	-	-	-	-	-
DN500	20"	✓	✓	✓	✓	✓	✓	✓	-	-	-	-
-	21"	✓	✓	✓	✓	✓	✓	✓	-	-	-	-
-	22"	✓	✓	✓	✓	✓	✓	✓	-	-	-	-
DN600	24"	✓	✓	✓	✓	✓	✓	✓	✓	-	-	-
-	26"	✓	✓	✓	✓	✓	✓	✓	✓	-	-	-
-	27"	✓	✓	✓	✓	✓	✓	✓	✓	-	-	-
DN700	28"	✓	✓	✓	✓	✓	✓	✓	✓	-	-	-
-	30"	✓	✓	✓	✓	✓	✓	✓	-	-	-	-
DN800	32"	✓	✓	✓	✓	✓	✓	✓	-	-	-	-
-	33"	✓	✓	✓	✓	✓	✓	-	-	-	-	-
-	34"	✓	✓	✓	✓	✓	✓	-	-	-	-	-
DN900	36"	✓	✓	✓	✓	✓	✓	-	-	-	-	-
DN1000	40"	✓	✓	✓	✓	✓	-	-	-	-	-	-
-	42"	✓	✓	✓	✓	✓	-	-	-	-	-	-
DN1100	44"	✓	✓	✓	✓	✓	-	-	-	-	-	-
DN1200	48"	✓	✓	✓	✓	✓	-	-	-	-	-	-

RingSeal EasiTee products are manufactured to order. For detailed dimensional data please contact Viking Johnson.

Every effort has been made to ensure that the information contained in this publication is accurate at the time of publishing. Crane Ltd assumes no responsibility or liability for typographical errors or omissions or for any misinterpretation of the information within the publication and reserves the right to change without notice.

DR11623\_01\_10\_2024\_(ISSUE-8)\_GB

## Technical Information

### Working Pressure Rating

Water 16 bar

Gas not approved

### Vacuum Pressure

Capable of accommodating a vacuum pressure of -0.7 bar

### Site Test Pressure

1.5 times working pressure for short duration (2 hours)

### Angularity

RingSeal EasiTee fittings are not able to accommodate any angularity.

### Bolt Torque/Spanner:

M16; Torque 95-110Nm on every bolt

Spanner size A/F 24mm

### Temperature Rating of Product

EPDM -20°C to +40°C

RingSeal EasiTee is not suitable for use on heating systems with fluctuating temperatures.

### Loads from Drilling Equipment and Valve / Branch Pipework

RingSeal EasiTee is not designed to accommodate / resist the loads from the under pressure drilling equipment, which needs to be supported externally during the operation to drill into the main. In addition, the valve and branch pipework needs to be adequately supported to ensure none of the dead / live loads are imposed in the branch outlet in the RingSeal EasiTee.

### Approvals

The following water contact materials used in RingSeal EasiTee are approved for use with potable water:-

Rilsan Nylon 11:

- WRAS, DVGW, W270, ACS & KIWA

EPDM Gaskets:

- WRAS

In addition to the above, RingSeal EasiTee as a finished product has KIWA certification verifying that the above products comply with the requirements of the Water Supply (Water Fittings) Regulations for England and Wales 1999, the Water Byelaws 2000, Scotland and the Water Regulations Northern Ireland.

## Materials & Relevant Standards

### Branch Housing:

Steel BS EN10025-2 Grade S275JR

Steel tube to BS EN 10216-1 Grade P265TRI  
or Steel tube to BS EN 10255

### Plain Housing

Steel BS EN10025-2 Grade S275JR

### Gasket

Rubber BS EN681-1 70 Hardness Grade EPDM

### Gasket Retainer

Steel BS EN10025-2 Grade S275JR

### Coatings

Branch Housing:

- Rilsan Nylon 11 to WIS 4-52-01 (Part1)

Plain Housing:

- Rilsan Nylon 11 to WIS 4-52-01 (Part1)

Gasket Retainer:

- Zinc Plate to BS1706:1990 Fe/Zn8 c1 B

Bolt, Nut & Washer:

- Sheraplex coated to WIS 4-52-03

### Bolt

Steel BS EN ISO 898-1 Property Class 8.8

### Nuts

Steel BS EN20898-2 Property Class 8.0

### Washers

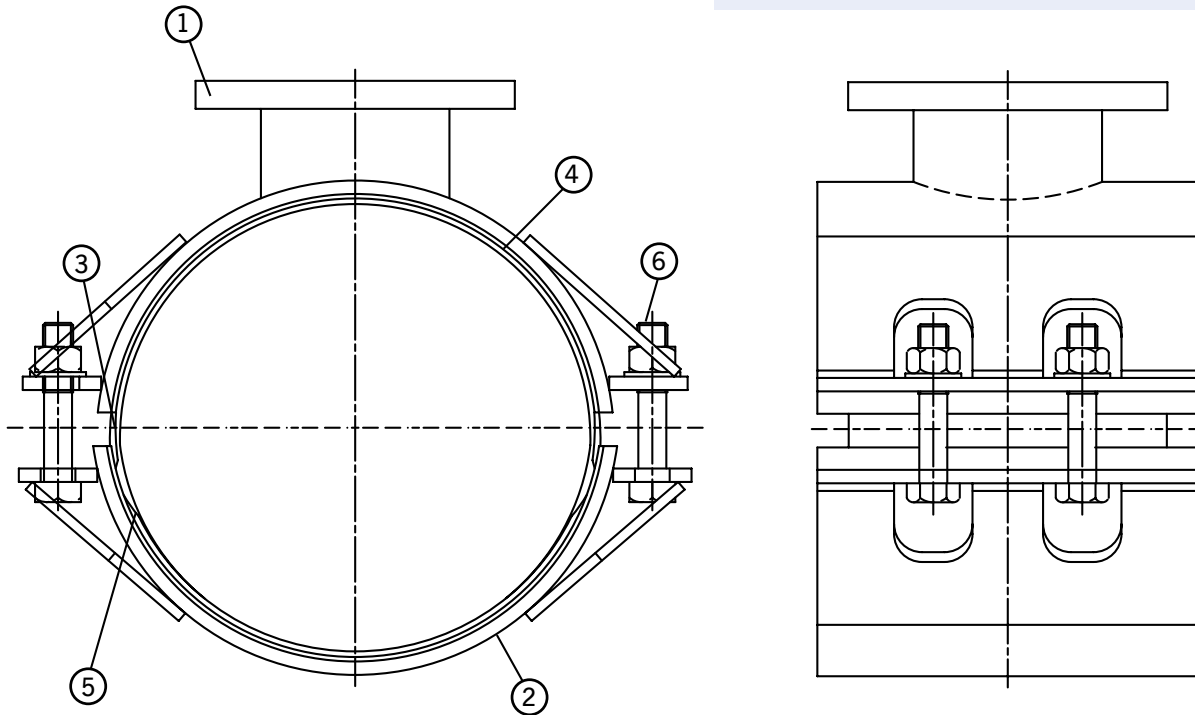
Stainless Steel BS EN ISO3506-1 Grade A2  
Property Class 50 (304)

# MattSeal EasiTee

Datasheet 1/2

### Key

- 1 = Branch Housing
- 2 = Plain Housing
- 3 = Bridge Plate
- 4 = Saddle Gasket
- 5 = Housing Gasket
- 6 = Bolt, Nut & Washer



## MattSeal EasiTee – Branch Outlet Sizes Available for Suitable Pipe Materials

The Following table provides details on branch outlet that is possible on various pipe materials for MattSeal. If the outlet/nom size is not available, see RingSeal EasiTee as alternative.

Host / Main		Flanged Outlet										
Nom	Dia	DN80	DN100	DN150	DN200	DN250	DN300	DN350	DN400	DN450	DN500	DN600
<b>Steel and Ductile Iron Pipe Material</b>												
DN350	14"	✓	✓	✓	✓	✓	✓	✓	-	-	-	-
DN400	16"	✓	✓	✓	✓	✓	✓	✓	-	-	-	-
DN450	18"	✓	✓	✓	✓	✓	✓	✓	✓	✓	-	-
DN500	20"	✓	✓	✓	✓	✓	✓	✓	✓	✓	✓	-
DN600	24"	✓	✓	✓	✓	✓	✓	✓	✓	✓	✓	✓
<b>Cast Iron Pipe Material</b>												
DN350	14"	✓	✓	✓	✓	✓	✓	✓	-	-	-	-
DN400	16"	✓	✓	✓	✓	✓	✓	✓	-	-	-	-
DN450	18"	✓	✓	✓	✓	✓	✓	✓	✓	✓	-	-
DN500	20"	✓	✓	✓	✓	✓	✓	✓	✓	✓	✓	-
-	21"	✓	✓	✓	✓	✓	✓	✓	✓	✓	✓	-
-	22"	✓	✓	✓	✓	✓	✓	✓	✓	✓	✓	-
DN600	24"	✓	✓	✓	✓	✓	✓	✓	✓	✓	✓	✓

MattSeal EasiTee products are manufactured to order. For detailed dimensional data please contact Viking Johnson.

Every effort has been made to ensure that the information contained in this publication is accurate at the time of publishing. Crane Ltd assumes no responsibility or liability for typographical errors or omissions or for any misinterpretation of the information within the publication and reserves the right to change without notice.

DR11623\_01\_10\_2024\_(ISSUE-8)\_GB



## Technical Information

### Working Pressure Rating

Water 16 bar

Gas not approved

### Vacuum Pressure

Capable of accommodating a vacuum pressure of -0.7 bar

### Site Test Pressure

1.5 times working pressure for short duration (2 hours)

### Angularity

MattSeal EasiTee fittings are not able to accommodate any angularity.

### Bolt Torque/Spanner:

M16; Torque 95-110Nm on every bolt

Spanner size A/F 24mm

M20; Torque 150-165Nm on every bolt

Spanner size A/F 30mm

M24; Torque 285-300Nm on every bolt

Spanner size A/F 36mm

M30; Torque 550-575Nm on every bolt

Spanner size A/F 46mm

M36; Torque 615-645Nm on every bolt

Spanner size A/F 50mm

### Temperature Rating of Product

EPDM -20°C to +40°C

MattSeal EasiTee is not suitable for use on heating systems with fluctuating temperatures.

### Loads from Drilling Equipment and Valve / Branch Pipework

MattSeal EasiTee is not designed to accommodate / resist the loads from the under pressure drilling equipment, which needs to be supported externally during the operation to drill into the main. In addition, the valve and branch pipework needs to be adequately supported to ensure none of the dead / live loads are imposed in the branch outlet in the MattSeal EasiTee.

### Approvals

The following water contact materials used in MattSeal EasiTee are approved for use with potable water:-

Rilsan Nylon 11:

➤ WRAS, DVGW, W270, ACS & KIWA

EPDM Gaskets:

➤ WRAS

In addition to the above, MattSeal EasiTee as a finished product has KIWA certification verifying that the above products comply with the requirements of the Water Supply (Water Fittings) Regulations for England and Wales 1999, the Water Byelaws 2000, Scotland and the Water Regulations Northern Ireland.

## Materials & Relevant Standards

### Branch Housing

Steel BS EN10025-2 Grade S275JR

Steel Tube Options:

➤ BS EN 10216-1 Grade P265TRI

➤ BS EN 10255

### Plain Housing

Steel BS EN10025-2 Grade S275JR

### Bridging Plate

Stainless Steel BS1449:Part 2 Grade 304S15

### Saddle Gasket

60 IRHD EPDM to BS EN681-1

### Housing Gasket

60 IRHD EPDM to BS EN681-1

### Coatings

Branch Housing:

➤ Rilsan Nylon 11 to WIS 4-52-01 (Part1)

Plain Housing:

➤ Rilsan Nylon 11 to WIS 4-52-01 (Part1)

### Bolts

Steel BS EN ISO898-1 Property Class 4.8

### Nuts

Steel BS4190 Grade 4

### Washers

Steel BS EN10083:Part 1 Grade C22E

# MattSeal EasiTap

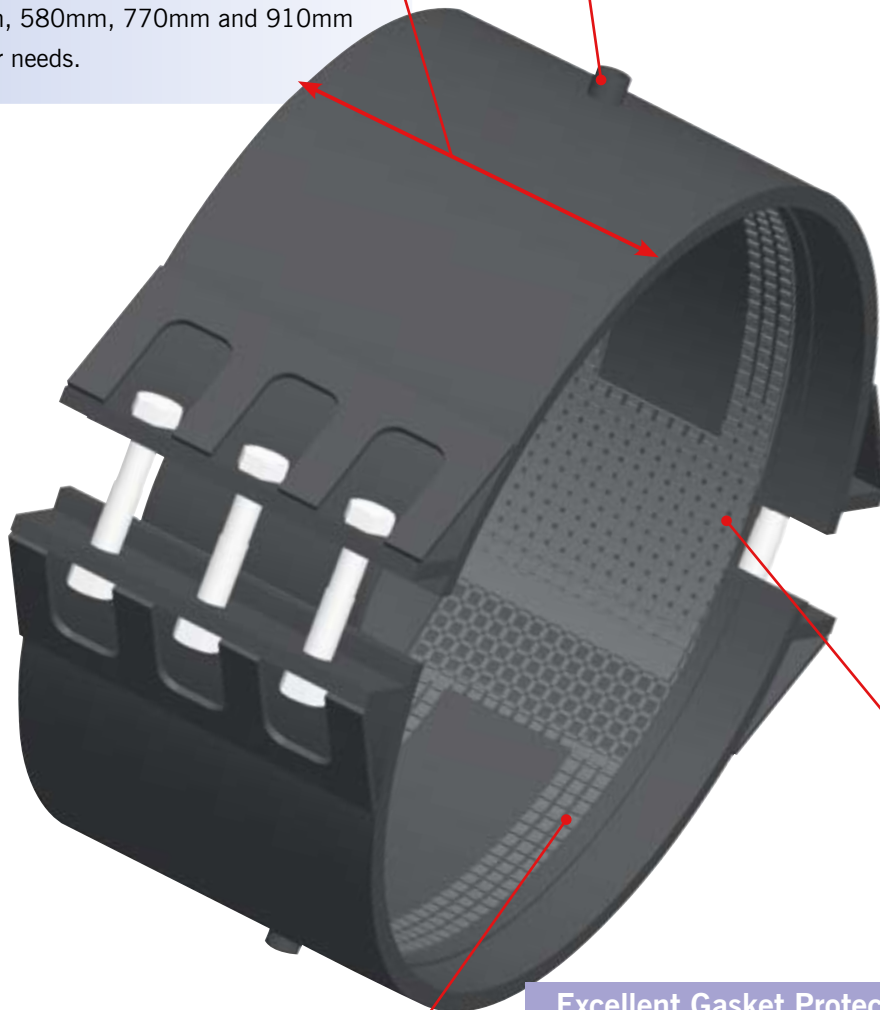
## Product Design Benefits

### Flexible Lengths Offering

Ability to fabricate to any of these standard lengths 340mm, 460mm, 580mm, 770mm and 910mm to suit your repair needs.

### Options to meet your Tapping Needs

Advanced design with the option of with a 1/2", 1" or 2" BSP outlet.



### Reliable Sealing

The waffle gasket is designed to fully surround the pipe within the housing offering optimal sealing.

### Excellent Gasket Protection

The sleeve or body are fully coated in Black Rilsan Nylon 11 which has excellent resistance to impact, abrasion, weathering and chemicals as well as good thermal stability and flexibility to accommodate for rough site handling and is WRAS listed.

## Customer Benefits

- ▶ Permanent repair for DN350 to DN1000 pipes. Large sizes may be available.\*
- ▶ Reduced stock holding offered with up to 24mm tolerance on pipe size to suit a number of popular pipe materials of the same nominal bore.
- ▶ The waffle gasket design is proven to give a very level of sealing, even on old corroded pipe.
- ▶ Can be installed under pressure:
  - No costly mains shutdown.
  - No disruption to customers.
  - No dirty water complaints.
- ▶ Product available in multiple lengths and can be tailored to suit repair length of longitudinal cracks, corrosion holes and impact damage.

\*Contact Viking Johnson Technical Department for more information.

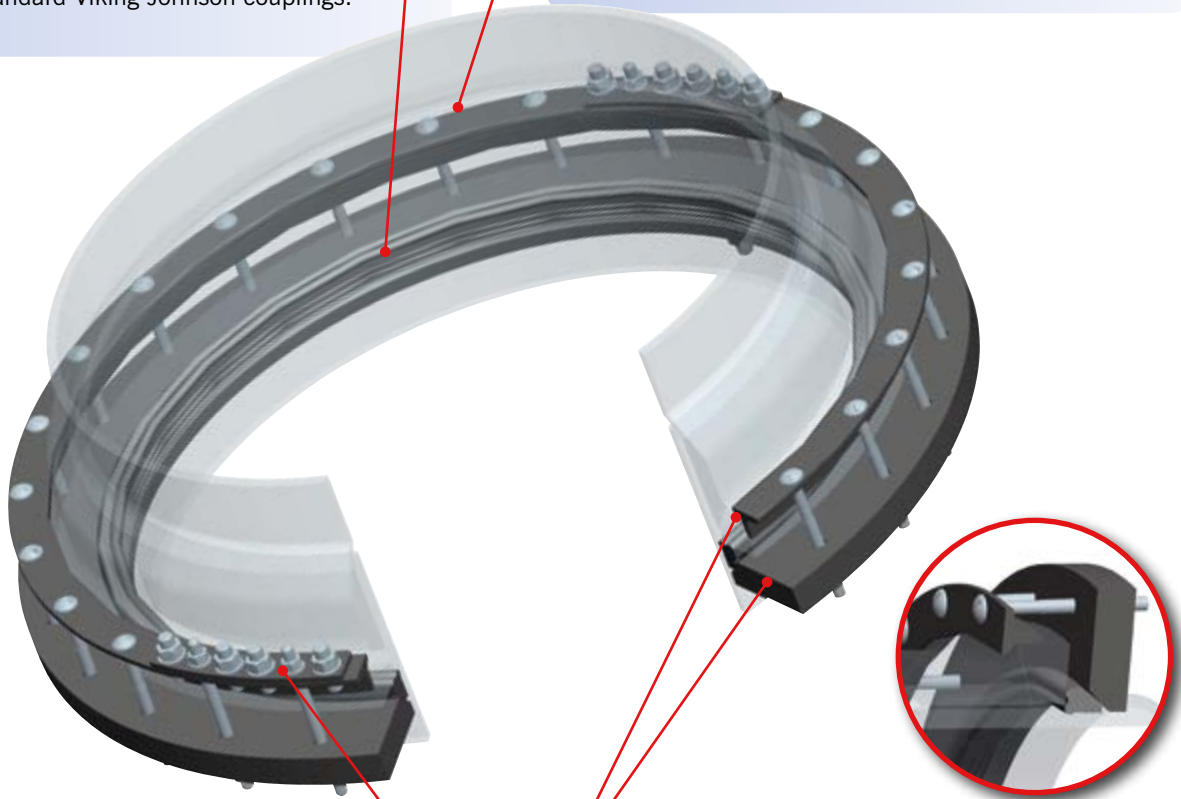
## Product Design Benefits

### Proven Sealing Capability

EasiCollar has a gasket that presses against the old caulking and provides a new seal on the face of the socket and pipe surface. It creates a flexible joint that uses the same basic sealing method as standard Viking Johnson couplings.

### Excellent Corrosion Protection

The sleeve or body are fully coated in Black Rilsan Nylon 11 which has excellent resistance to impact, abrasion, weathering and chemicals as well as good thermal stability and flexibility to accommodate for rough site handling. It is also WRAS listed.



### User Friendly

Sheraplex coated bolts offer an improved torque/load ratio and eliminates galling of coating in threads.

### Simple Solution to Renew Old Joints

Two rings are assembled in segments around the pipe, one in front of the socket and around the gasket, the other as an anchorage behind the socket. When the connecting bolts are tightened, pressure is created in the gasket to seal the leaking joint.

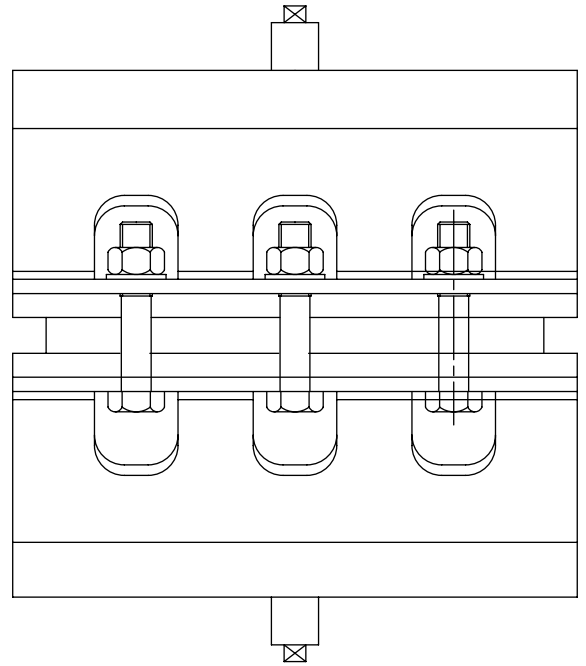
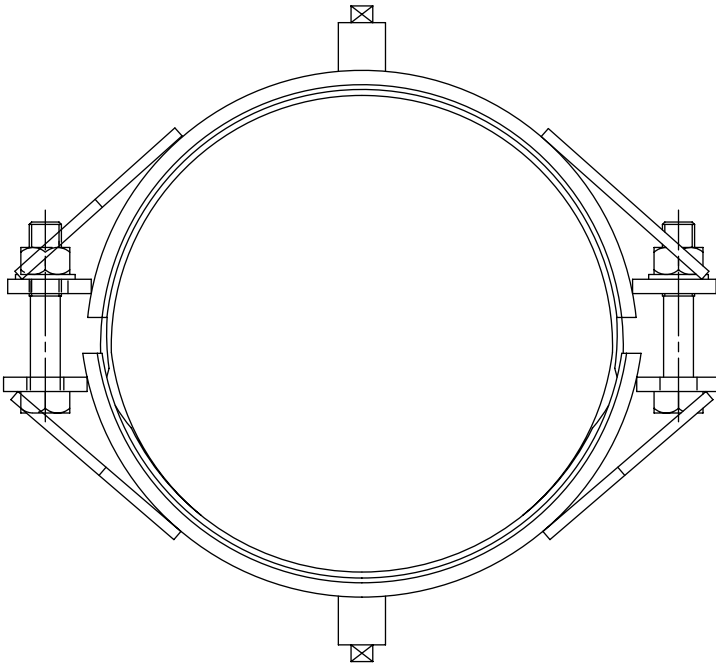
## Customer Benefits

- ▶ Repair collar for spigot and sock joints suitable for:
  - Old spigot and socket iron pipes.
  - Cast iron double collars.
  - Asbestos cement collars.
  - Concrete.
- ▶ Can be installed under pressure:
  - No costly mains shutdown.
  - No disruption to customers.
- ▶ Available from DN300 to DN1200.
- ▶ No additional lead caulking.
- ▶ EasiCollar is generally made to order, taking into account the particular dimensions of the pipe and socket.

# MattSeal EasiTap

Datasheet

1/2



## Working Pressure Ratings

Nominal Size	Working Pressure
Up to DN700	16 Bar
> DN700	Up to 16 Bar

### Pipe Materials



MattSeal EasiTap products are manufactured to order. For detailed dimensional data please contact Viking Johnson.

Every effort has been made to ensure that the information contained in this publication is accurate at the time of publishing. Crane Ltd assumes no responsibility or liability for typographical errors or omissions or for any misinterpretation of the information within the publication and reserves the right to change without notice.

DR11623\_01\_10\_2024\_(ISSUE-8)\_GB

## Technical Information

### Working Pressure Rating (Up to DN700)

Water 16 bar

Gas not approved

For sizes over DN700 contact Viking Johnson.

### Vacuum Pressure

Capable of accommodating a vacuum pressure of -0.7 bar

### Site Test Pressure

1.5 times working pressure for short duration (2 hours)

### Angularity

MattSeal EasiTee fittings are not able to accommodate any angularity.

### Bolt Torque/Spanner:

M16; Torque 95-110Nm on every bolt

Spanner size A/F 24mm

M20; Torque 150-165Nm on every bolt

Spanner size A/F 30mm

M24; Torque 285-300Nm on every bolt

Spanner size A/F 36mm

M30; Torque 550-575Nm on every bolt

Spanner size A/F 46mm

M36; Torque 615-645Nm on every bolt

Spanner size A/F 50mm

### Temperature Rating of Product

EPDM -20°C to +40°C

MattSeal EasiTee is not suitable for use on heating systems with fluctuating temperatures.

### Loads from Drilling Equipment and Valve / Branch Pipework

MattSeal EasiTee is not designed to accommodate / resist the loads from the under pressure drilling equipment, which needs to be supported externally during the operation to drill into the main. In addition, the valve and branch pipework needs to be adequately supported to ensure none of the dead / live loads are imposed in the branch outlet in the MattSeal EasiTee.

### Approvals

The following water contact materials used in MattSeal EasiTee are approved for use with potable water:-

Rilsan Nylon 11:

➤ WRAS, DVGW, W270, ACS & KIWA

EPDM Gaskets:

➤ WRAS

In addition to the above, MattSeal EasiTee as a finished product has KIWA certification verifying that the above products comply with the requirements of the Water Supply (Water Fittings) Regulations for England and Wales 1999, the Water Byelaws 2000, Scotland and the Water Regulations Northern Ireland.

## Materials & Relevant Standards

### 1) Housing

Steel BS EN10025-2 Grade S275JR

Outlet Steel tube to BS EN 10255

### 2) Bridging Plate

Stainless Steel BS1449:Part 2 Grade 304S15

### 3) Saddle Gasket

60 IRHD EPDM to BS EN681-1

### 4) Housing Gasket

60 IRHD EPDM to BS EN681-1

### 5) Bolts, Nuts and Washers

Bolts - Steel BS EN ISO898-1 Property Class 4.8

Nuts - Steel BS4190 Grade 4

Washers - Steel BS EN10083:Part 1 Grade C22E

### Finish Specification

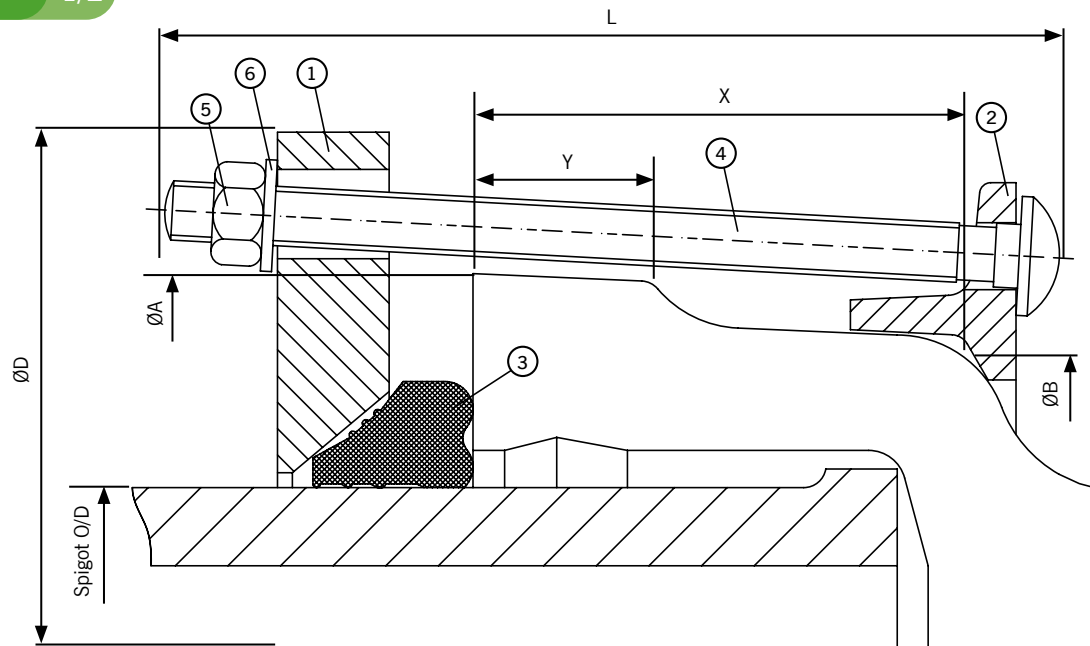
1) Housing - Rilsan Nylon II

2) Bolt - Sheraplex coated to WIS 4-52-03

# EasiCollar DN300 to DN1200

Datasheet

1/2



## EasiCollar to suit Cast Iron\*

Pipe nom **		L (mm)	ØD (mm)
mm	inches		
80	3 AB CD	-	-
100	4 AB CD	-	-
125	5 AB CD	-	-
150	6 AB CD	-	-
200	8 AB CD	-	-
225	9 AB CD	-	-
250	10 AB CD	-	-
300	12 AB	261	527
300	12 CD	261	550
350	14 AB	261	585
350	14 CD	261	611
375	15 AB	261	614
375	15 CD	261	641
400	16 AB	261	642
400	16 CD	261	671
450	18 AB	261	703
450	18 CD	261	734
500	20 AB	261	751
500	20 CD	261	783
525	21 AB	261	781
525	21 CD	261	813
600	24 AB	286	867
600	24 CD	286	902
675	27 AB	286	954
675	27 CD	286	990
750	30 AB	286	1057
750	30 CD	286	1076
825	33 AB	286	1143
825	33 CD	286	1164
900	36 AB	286	1228
900	36 CD	286	1249
1050	42 AB	286	1400
1050	42 CD	286	1423
1200	48 AB	286	1570
1200	48 CD	286	1595

\* Other pipe materials and spigot and socket dimensions may be catered for. Please see EasiCollar Features & Benefits for pipe materials.

\*\* Larger sizes available on request.

NB: Sizes 80mm - 250mm will also suit Ductile Iron spigot & sockets with the same nominal bore.

Every effort has been made to ensure that the information contained in this publication is accurate at the time of publishing. Crane Ltd assumes no responsibility or liability for typographical errors or omissions or for any misinterpretation of the information within the publication and reserves the right to change without notice.

DR11623\_01\_10\_2024\_(ISSUE-8)\_GB

## Technical Information

### Working Pressure Rating

Water 16 bar

Gas not approved

For sizes over DN700 contact Viking Johnson.

### Vacuum Pressure

Capable of accommodating a vacuum pressure of -0.7 bar

### Site Test Pressure

1.5 times working pressure for short duration (2 hours)

### Angularity

EasiCollar fittings are able to accommodate angularity in line with what the spigot and socket joint can accommodate.

### Bolt Torque/Spanner:

M16; Torque 95-110Nm on every bolt

Spanner size A/F 24mm

M20; Torque 150-165Nm on every bolt

Spanner size A/F 30mm

### Temperature Rating of Product

EPDM -20°C to +40°C

EasiCollar is not suitable for use on heating systems with fluctuating temperatures.

### Approvals

The following water contact materials used in EasiCollar are approved for use with potable water:-

Rilsan Nylon 11:

➤ WRAS, DVGW, W270, ACS & KIWA

EPDM Gaskets:

➤ WRAS

## Materials & Relevant Standards

### Materials

- 1) Compression Flange - Steel BS EN10025-2 Grade S275JR
- 2) Anchor End Ring - Steel BS EN10025-2 Grade S275JR
- 3) Gasket - 61 IRHD EPDM Compound Ref. CVE61
- 4) Bolts - Steel BS EN ISO 898-1 Property Class 4.8
- 5) Nuts - Steel BS4190 Grade 4
- 6) Washers - Stainless Steel to BS1449:Part 2 Grade 304 S15

### Finish Specification

Compression Flange (Part 1) Rilsan Nylon II - Black  
Anchor End Ring (Part 2) Rilsan Nylon II - Black  
Bolts and Nuts - Sheraplex coated to WIS 4-52-03

**Note:** Due to the number of different types of spigot and socket joints, with varying tolerances, when enquiring about EasiCollar a form is available with the dimensions required, please contact the Marketing Department for more information.

**EasiCollar products are manufactured to order. For detailed dimensional data please contact Viking Johnson.**

Every effort has been made to ensure that the information contained in this publication is accurate at the time of publishing. Crane Ltd assumes no responsibility or liability for typographical errors or omissions or for any misinterpretation of the information within the publication and reserves the right to change without notice.

United Kingdom - Preston

# Routine Repair

EasiCollar 15"







### Project

EasiCollar used to repair a 15 inch cast iron pipe with a leaking run lead joint.

### Client

United Utilities

### Contractor

Enterprise

Crane BS&U are solely the provider of products and have no direct influence on, or take any responsibility for any working practices employed or depicted in the images enclosed to install such products.

# EasiCollar Order / Enquiry Form

EasiCollar is a bespoke product and Viking Johnson requires the following information to assist with the quotation process. This page can be copied from the brochure or a form fillable PDF is available on the website [www.vikingjohnson.com](http://www.vikingjohnson.com).

Please complete the form and send via email to: [info@vikingjohnson.com](mailto:info@vikingjohnson.com)

Product Details	
Delivery Time/Date*	
Spigot OD (Max)	
Dim A	
Dim B	
Dim X	
Dim Y	
Dim Z	
Pipe Material	
Pipe Markings / Class Rating	

Contact Details	
Company Name	
Contact Name	
Customer Address	
Email	
Telephone	
Fax	

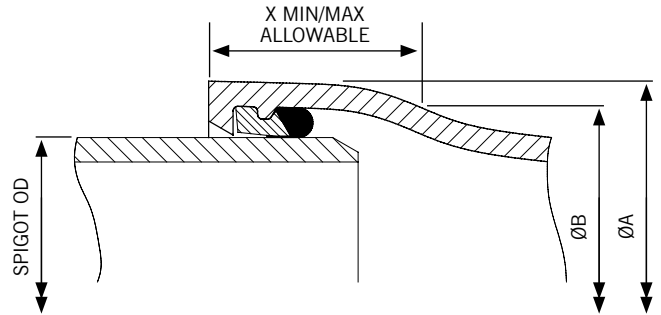
\* For fast turnaround deliveries, surcharges will be applied. Prices available on request.

**Please note:**

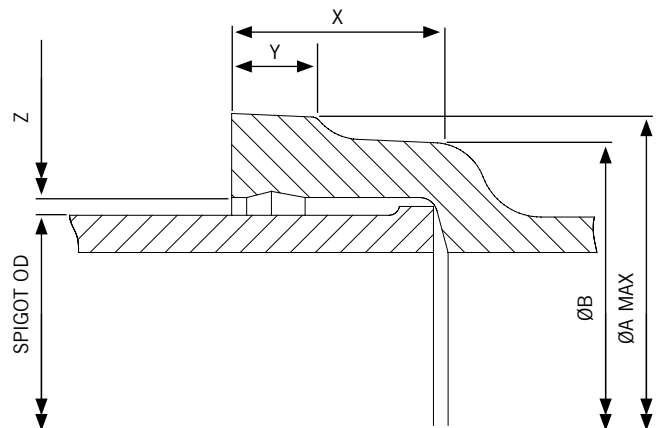
Due to the number of different types of spigot and socket joints, with varying tolerances, when ordering/enquiring about the product it would help if you could provide us with some basic information.

Please use cross sectional drawing and form to record dimensions, photocopy and send back to us with this information.

**Ductile Iron**



**Cast Iron**



Every effort has been made to ensure that the information contained in this publication is accurate at the time of publishing. Crane Ltd assumes no responsibility or liability for typographical errors or omissions or for any misinterpretation of the information within the publication and reserves the right to change without notice.



United Kingdom - Anglesey

# Systems Maintenance

Universal EasiTee - DN300

## Project

Upgrading network - making an under pressure connection to an existing cast iron water main.

## Client

Welsh Water

## Contractor

Daniel Contractor Limited

Crane BS&U are solely the provider of products and have no direct influence on, or take any responsibility for any working practices employed or depicted in the images enclosed to install such products.

Distributor stamp

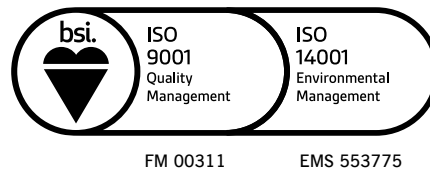


## PIONEERS IN PIPE SOLUTIONS

46-48 WILBURY WAY  
HITCHIN, HERTFORDSHIRE  
SG4 0UD. UNITED KINGDOM  
TELEPHONE: +44 (0)1462 443322  
FAX: +44 (0)1462 443311  
EMAIL: [info@vikingjohnson.com](mailto:info@vikingjohnson.com)

[www.vikingjohnson.com](http://www.vikingjohnson.com)

DUBAI SALES OFFICE  
CRANE BS&U  
BUILDING 4, OFFICE 901  
THE GALLERIES  
PO BOX 17415  
DOWNTOWN JEBEL ALI  
DUBAI. UAE  
TELEPHONE: +971 4816 5800



To visit our Video Library go to:  
[www.youtube.com/user/CraneBSU](http://www.youtube.com/user/CraneBSU)

*Every effort has been made to ensure that the information contained in this publication is accurate at the time of publishing. Crane Ltd assumes no responsibility or liability for typographical errors or omissions or for any misinterpretation of the information within the publication and reserves the right to change without notice.*

*All images used in this marketing literature are the exclusive property of Crane Ltd and copyrighted. These images may not be reproduced, copied, transmitted or manipulated without written permission.*

- Designed and manufactured under quality management systems in accordance with BS EN ISO 9001.
- Environmental Management System accredited to ISO 14001.
- For full terms and conditions, please visit our website.