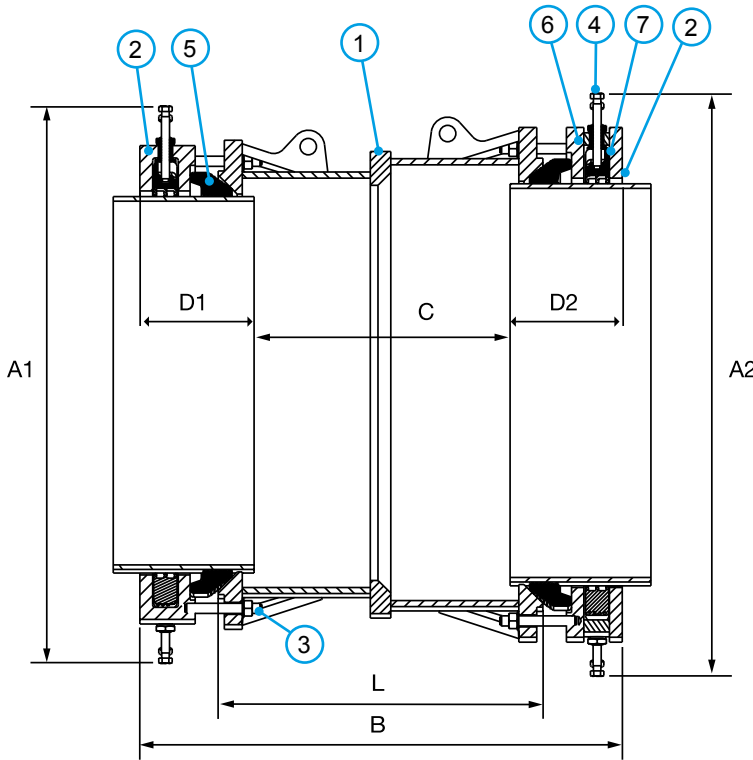


Reducing Coupling

Make up ring design



Key

- 1 = Centre Sleeve
- 2 = End Ring
- 3 = Studs
- 4 = Bolt, Nut & Washer
- 5 = Gasket
- 6 = Square Bush Nut
- 7 = Gripper

HAZARD WARNING: Lifting lugs, where provided, are designed/tested for lifting only the components to which they are attached. Failure to follow these instructions could result in property damage, serious personal injury or death. The maximum safe working load of the lifting eye is equal to the product weight.

Reducing Couplings - Make up ring design

Nom Size		Size Range				Insertion Depth				Setting Gap		Dimensions				Fasteners				Weight (kg)
Small End	Large End	Small End		Large End		Small End (D1)		Large End (D2)		(C)		Overall				Small End		Large End		
		Min	Max	Min	Max	Min	Max	Min	Max	Min	Max	A1	A2	B	L	Radial Bolt No-size	Axial Bolt No-size	Radial Bolt No-size	Axial Bolt No-size	
800	900	789	824	892	927	220	245	220	245	460	510	1180	1280	950	496	30 x M16	18 x M20	38 x M16	22 x M20	798
800	900	825	860	892	927	220	245	220	245	460	510	1210	1280	950	496	40 x M16	18 x M20	38 x M16	22 x M20	805
900	900	892	927	926	961	220	245	220	245	465	515	1280	1310	955	642	38 x M16	22 x M20	42 x M16	22 x M20	838
900	900	892	927	958	993	220	245	220	245	470	520	1280	1345	960	642	38 x M16	22 x M20	44 x M16	22 x M20	883
900	900	926	961	958	993	220	245	220	245	470	520	1315	1345	960	642	42 x M16	22 x M20	44 x M16	22 x M20	885

Connections based on standard pipe OD's*

Nom Size	Range		Ductile Iron	PE / MOPVC	Steel / FBE Coated Steel	Cast Iron	Asbestos Cement
	Min	Max					
DN800	789	824		800mm	DN800	30" (AB)	30" (AB)
DN800	825	860	DN800				
DN800	853	888				32" (AB & CD)	32" (AB & CD)
DN900	892	927		900mm	DN900	33" (CD) 34 (AB)	33" (CD) 34 (AB)
DN900	926	961	DN900				
DN900	958	993				36" (AB & CD)	36" (AB & CD)

*The above table is for guidance only, please ensure the OD and material of the pipe is compatible before installation

Working Pressure & Temperature Ratings

Nominal Size	Gripping Product		Flex Product		Operating Temperature
	Gas	Water	Gas	Water	
DN800	N/A	16 bar	N/A	16 bar	-20 to +60
DN900	N/A	16 bar	N/A	16 bar	



Reducing Couplings

Technical Information

Working pressure rating:

Water:
DN800 to DN900 = 16 bar
Gas:
Not approved

Site test pressure:

1.5 times working pressure

Angularity

Couplings 8°, +/- 4° angularity on each side

Gripping product suitable for

Ductile iron / PE (DN800 PE 100 SDR 11, 17, 21, 26.
DN900 PE 100 SDR 13.6, 17, 21)
Steel / Cast iron

Flex product suitable for

Ductile Iron / PE (DN800 PE 100 SDR 11, 17, 21, 26.
DN900 PE 100 SDR 13.6, 17, 21)
Steel / Cast Iron / Asbestos Cement

Temperature rating of product

Operating temperature -20°C to +60°C

Support liners – PE

A close fit Viking Johnson support liner is required when used on:
➤ All PE pipes

Use of restrained couplings on exposed pipework

UltraGrip can be used in above ground applications, so long as the pipework is supported, it is not exposed to direct sunlight and falls within the 40°C operating temperature range (between -20°C and +60°C).

Approvals

The following water contact materials used in UltraGrip are approved for use with potable water:-

Rilsan Nylon 11:

➤ WRAS, DVGW, W270, ACS & KIWA

Gasket (EPDM):

➤ WRAS, W270

Bolt Torque	Recommended Bolt Torque (Nm) on every bolt			
	Bolt Size	Ductile Iron	PE-100	Steel & Cast Iron
Axial Fastener (For Gasket Engagement)	M20	190-210	190-210	190-210
Radial Fastener (For Grippers)	M16	190-210	140-150	110-120

For the full installation details and to ensure correct fitting, please refer to the UltraGrip DN900 installation instructions.

Materials & Relevant Standards

1) End Rings 2) Centre Sleeve

Mild steel to BS EN10025 Grade S355

3) Studs

Stainless steel – BS EN ISO 3506-1
Grade A4-80

4) Bolts

Stainless steel to BS EN ISO 3506-1
Grade A4-80

4) Nuts

Stainless steel – BS1449:PT2 ISO 3506-1
Grade A4-80

4) Washers

Stainless steel – BS1449:PT2 ISO 3506-1
Grade A4-50

5) Gasket

EPDM to BS EN 681-1

6) Square Bush Nut

Cast stainless steel to ASTM
A487/A487M-21, Grade CA6NM Class A

7) Gripper

Stainless steel (Cast) PH 17-4 H925
to BS EN 10088-1

Retention Insert

Nylon 6

Coatings

End Rings / Centre Sleeve / Flange:

➤ Rilsan Nylon 11 (Black)

Bolts:

➤ Dry Film Lubricant GZ – Silver

Nuts:

➤ Dry Film Lubricant GZ – Silver

Gripper - None