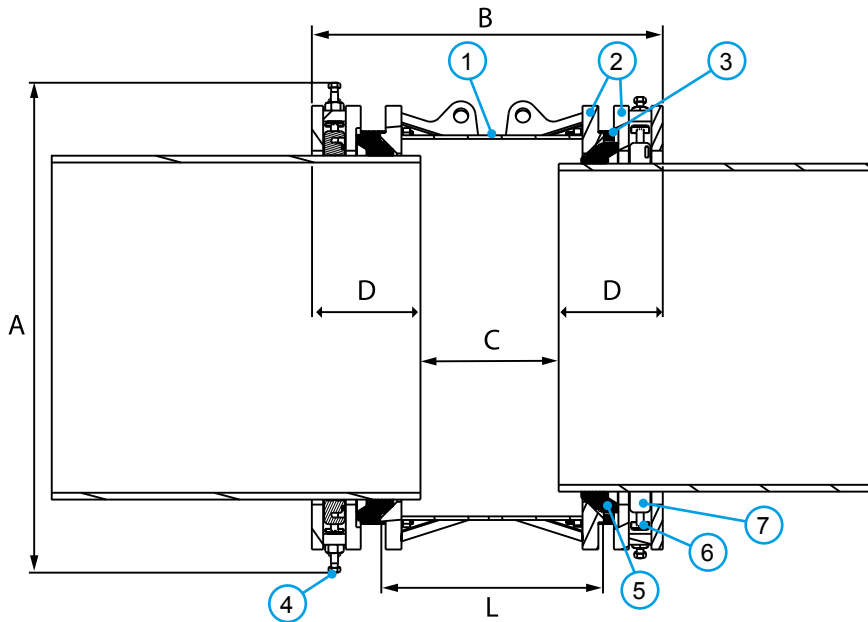


Couplings

Key

- 1 = Centre Sleeve
- 2 = End Ring
- 3 = Studs
- 4 = Bolt, Nut & Washer
- 5 = Gasket
- 6 = Square Bush Nut
- 7 = Gripper



HAZARD WARNING: Lifting lugs, where provided, are designed/tested for lifting only the components to which they are attached. Failure to follow these instructions could result in property damage, serious personal injury or death. The maximum safe working load of the lifting eye is equal to the product weight.

Couplings

| Nom Size | Size Range (mm) | | Insertion Depth (D) (mm) | | Setting Gap (C) (mm) | | Dimensions (mm) | | | Fasteners | | Weight (kg) |
|----------|-----------------|-----|--------------------------|-----|----------------------|-----|-----------------|-----|--------|--------------------|---------------------|-------------|
| | Min | Max | Min | Max | Min | Max | Overall | | Sleeve | Axial Stud No-size | Radial Bolt No-size | |
| | | | | | | | A | B | | | | |
| 900 | 892 | 927 | 220 | 325 | 165 | 375 | 1280 | 815 | 500 | 44 x M20 | 76 x M16 | 705 |
| 900 | 926 | 961 | 220 | 325 | 165 | 375 | 1314 | 815 | 500 | 44 x M20 | 84 x M16 | 733 |
| 900 | 958 | 993 | 220 | 325 | 165 | 375 | 1346 | 815 | 500 | 44 x M20 | 76 x M16 | 780 |

Connections based on standard pipe OD's*

| Nom Size | Range | | Ductile Iron | PE | Steel / FBE Coated Steel | Cast Iron | Asbestos Cement |
|----------|-------|-----|--------------|-------|--------------------------|------------------|------------------|
| | Min | Max | | | | | |
| DN900 | 892 | 927 | | 900mm | DN900 | 33" (CD) 34 (AB) | 33" (CD) 34 (AB) |
| DN900 | 926 | 961 | DN900 | | | | |
| DN900 | 958 | 993 | | | | 36" (AB & CD) | 36" (AB & CD) |

*The above table is for guidance only, please ensure the OD and material of the pipe is compatible before installation

Working Pressure & Temperature Ratings

| Nominal Size | Gripping Product | | Flex Product | | Operating Temperature |
|--------------|------------------|--------|--------------|--------|-----------------------|
| | Gas | Water | Gas | Water | |
| DN900 | N/A | 16 bar | N/A | 16 bar | -20 to +60 |

Pipe Materials



Every effort has been made to ensure that the information contained in this publication is accurate at the time of publishing. Crane Ltd assumes no responsibility or liability for typographical errors or omissions or for any misinterpretation of the information within the publication and reserves the right to change without notice.

Couplings

Technical Information

Working pressure rating:

Water:
DN900 = 16 bar
Gas:
Not approved

Site test pressure:

1.5 times working pressure

Angularity

Couplings 8°, +/- 4° angularity on each side

Gripping product suitable for

Ductile iron / PE (PE100, SDR 13.6, 17, 21)
Steel / Cast iron

Flex product suitable for

Ductile Iron / PE (PE100, SDR 13.6, 17, 21)
Steel / Cast Iron / Asbestos Cement

Support liners – PE

A close fit Viking Johnson support liner is required when used on:
➤ All PE pipes

Use of restrained couplings on exposed pipework

UltraGrip can be used in above ground applications, so long as the pipework is supported, it is not exposed to direct sunlight and falls within the 40°C operating temperature range (between -20°C and +60°C).

Approvals

The following water contact materials used in UltraGrip are approved for use with potable water:-

Rilsan Nylon 11:

➤ WRAS, DVGW, W270, ACS & KIWA

Gasket (EPDM):

➤ WRAS, W270

Bolt Torque

| | Recommended Bolt Torque (Nm) on every bolt | | | |
|--|--|--------------|---------|-------------------|
| | Bolt Size | Ductile Iron | PE-100 | Steel & Cast Iron |
| Axial Fastener (For Gasket Engagement) | M20 | 190-210 | 190-210 | 190-210 |
| Radial Fastener (For Grippers) | M16 | 190-210 | 140-150 | 110-120 |

For the full installation details and to ensure correct fitting, please refer to the UltraGrip DN900 installation instructions.

Temperature rating of product

Operating temperature -20°C to +60°C

Materials & Relevant Standards

1) End Rings 2) Centre Sleeve

Mild steel to BS EN10025 Grade S355

3) Studs

Stainless steel – BS EN ISO 3506-1
Grade A4-80

4) Bolts

Stainless steel to BS EN ISO 3506-1
Grade A4-80

4) Nuts

Stainless steel – BS1449:PT2 ISO 3506-1
Grade A4-80

4) Washers

Stainless steel – BS1449:PT2 ISO 3506-1
Grade A4-50

5) Gasket

EPDM to BS EN 681-1

6) Square Bush Nut

Cast stainless steel to ASTM
A487/A487M-21, Grade CA6NM Class A

7) Gripper

Stainless steel (Cast) PH 17-4 H925
to BS EN 10088-1

Retention Insert

Nylon 6

Coatings

End Rings / Centre Sleeve / Flange:

➤ Rilsan Nylon 11 (Black)

Bolts:

➤ Dry Film Lubricant GZ – Silver

Nuts:

➤ Dry Film Lubricant GZ – Silver

Gripper - None